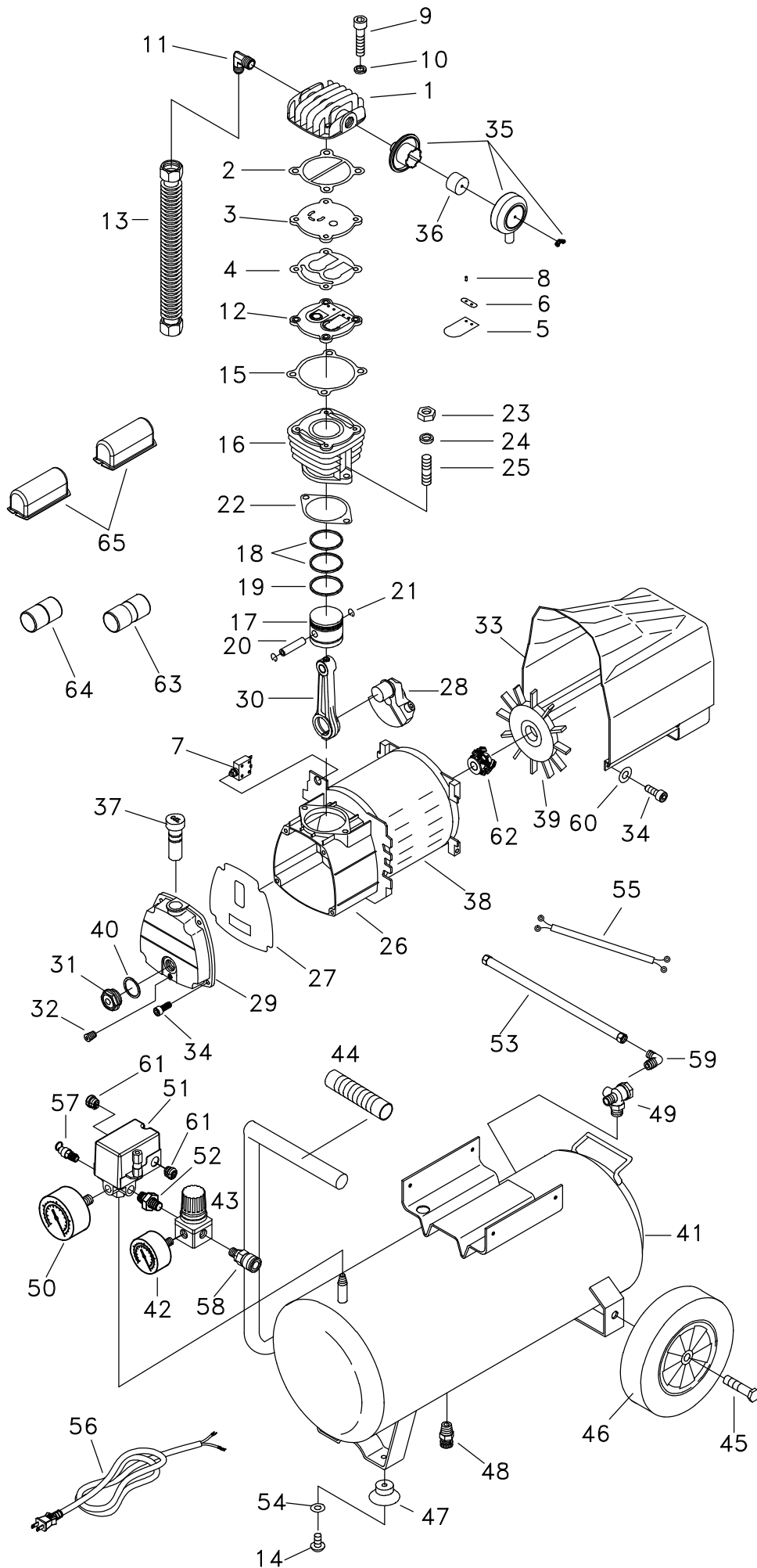


INDEX: LVD2038(ESCO)



REF. NO.	DESCRIPTION	PART NO.	QTY
1	Cylinder head	101001	1
2	Cylinder head packing	211011	1
3	Inlet valve seat	F011-JP34	1
4	Inlet & Exhaust valve seat packing	212004	1
5	Inlet & Exhaust valve plate	125001	2
6	Inlet & Exhaust spring plate	127001	2
7	Overload switch	458002	1
8	Pin	126001	4
9	In six-angle bolt	352087	4
10	Spring washer	382004	4
11	Exhaust elbow	151404	1
12	Exhaust valve seat	F021-JP34	1
13	Exhaust tube assembly	F038-JP34	1
14	Round-head bolt	353024	2
15	Valve seat packing	213010	1
16	Cylinder	201017	1
17	Piston	203011	1
18	Compression ring	206003	2
19	Oil control ring	207003	1
20	Piston pin	204003	1
21	Piston pin snap ring	205001	2
22	Cylinder packing	214010	1
23	Set nut	371005	2
24	Spring washer	382005	2
25	Double head screw	358001	2
26	Crankcase	301001	1
27	Front cover packing	215001	1
28	Crankshaft	302001	1
29	Crankcase cover	304002	1
30	Rod	316001	1
31	Oil gauge	F051-JP34	1
32	Oil draining plug	360001	1
33	Motor cover	433001	1
34	In six-angle bolt	352091	9
35	Air filter	F071-JP34	1
36	Air filter (element only)	171002	1
37	Air flue oil filling assembly	F064-JP34	1
38	Motor	F04E-JP34	1
39	Radiation fan	431005	1
40	Oil gauge packing	217001	1
41	Air tank	401177-07	1
42	Pressure gauge	411012-1	1
43	Regulator valve	410030	1
44	Rubber handle	435002	1
45	Tank wheel bolt	351115	2
46	Tank wheel	402009	2
47	Tank feet rubber packing	F134-JP34	2
48	Drain cock	406001	1
49	Check valve	409004	1
50	Pressure gauge	411011-1	1
51	Pressure switch	412012	1
52	Nipple	441001	1
53	Unloading tube ass'y	240096	1
54	Plain washer	381021	2
55	Cable wire	453028	1
56	Power wire	452050	1
57	Safety valve	407005-1	1
58	Quick coupler	447024	1
59	Unloading elbow	151001	1
60	Spring washer	382011	4
61	Strain relief clip	457002	2
62	Centrifugal switch	459013	1
63	Start capacitor	460008	1
64	Run capacitor	462009	1
65	Capacitor cover	455014	2