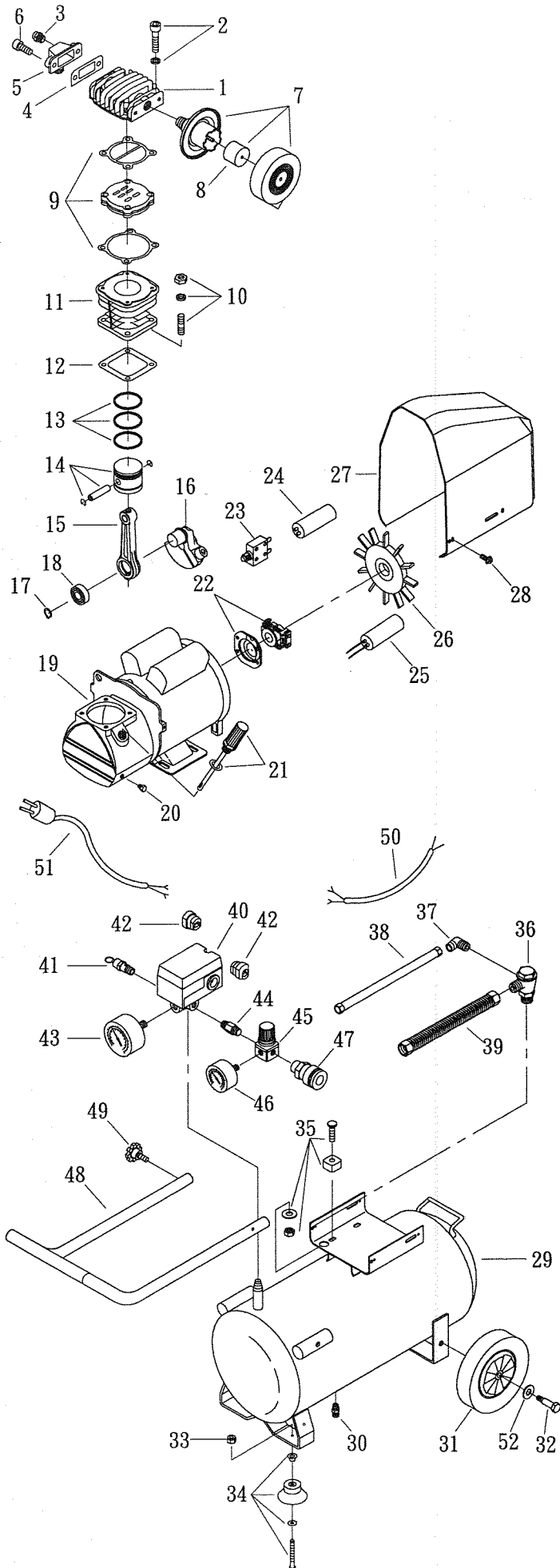


MODEL :DT-2038

SPARE PARTS LIST

NO : OJ-1308



REF. NO.	DESCRIPTION	PART NO.	QTY.
1	Cylinder head	3101042	1
2	Allen bolt set	3B01-M06*035V	4
3	Auto relief valve	2409003	1
4	Exhaust elbow gasket	2G09-001H	1
5	Exhaust elbow	2N06-04H11	1
6	Allen bolt	2B01-M08*020	2
7	Air filter set	2140006	1
8	Filter element	2142004	1
9	Inlet&Exhaust valve seat	3B13-K5047	1
10	Double head screw set	3B11-008-A	4
11	Cylinder	3201052	1
12	Cylinder gasket	2G04-001	1
13	Piston ring set	3B32-42N	1
14	Piston set	3B31-42N	1
15	Rod	2315044	1
16	Crankshaft & balancer	3304001	1
17	Retainer	2N42-S15	1
18	Bearing	2N35-6202	1
19	Motor set	3B8-NF0801	1
20	Oil draining plug	2N33-001	1
21	Dipstick set	2339008A	1
22	Centrifugal switch set	2E24-14062P	1
23	Thermal protector	2E25-18A	1
24	Starting capacitor	2E28-300F2540	1
25	Running capacitor	2E27-050F2540	1
26	Cooling fan	2336037-2	1
27	Shroud	2428003	1
28	Bolt	2B02-FM5*010WB	6
29	Air tank	3401787	1
30	Drain valve	2405012	1
31	Tank wheel	2402018	2
32	Tank wheel bolt	2418001	2
33	U-nut	2B21-PM05	2
34	Rubber pad set	3433005-A	2
35	Motor feet bolt set	3B08-FM08*30-A	4
36	Check valve	2414025	1
37	Unloading elbow	2N06-01T02H	1
38	Unloading tube	3B2-02*520F	1
39	Exhaust tube set	3B2-04*470	1
40	Pressure switch	2E21-A023B	1
41	Pressure relief valve	2406021T	1
42	Strain relief bushing	2E04-010	3
43	Pressure gauge	2D12-20D14MPK	1
44	Nipple	2N01-045	1
45	Regulator	2408008LNX	1
46	Pressure gauge	2D12-15D14MPK	1
47	Quick coupler	07SMO2A-B	1
48	Grip	3432092	1
49	Bolt	2B16-FM08*018	2
50	Cable	2E02-2T20502Y2T	1
51	Power cable	2E01-026	1
52	Plate washer	2B30-13*26*30	2