

ハーフユニオン
Male Connector
ZAH

EA140HR-41

EA140HR-42

EA140HR-61

EA140HR-62

EA140HR-63

EA140HR-82

EA140HR-83

EA140HR-102

EA140HR-103

EA140HR-104

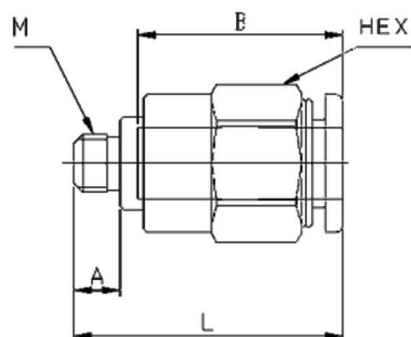
EA140HR-123

EA140HR-124

型番 Model No.	適用チューブ外径φ Applicable Tube O.D.	接続ねじ Connecting Screw R(PT), M	HEX	L	A	B	最小穴径 Minimum opening	質量 (g) Mass
ZAH-045M	4	M5×0.8	10	21.5	4	16	2.5	6.6
ZAH-041		1/8	10	20.5	8	16	2.5	7.8
ZAH-042		1/4	14	19.5	11	16	2.5	14.5
ZAH-065M	6	M5×0.8	12	23	4	17.5	2.5	8.5
ZAH-061		1/8	12	23	8	17.5	4	9.4
ZAH-062		1/4	14	23.5	11	17.5	4	16.9
ZAH-063		3/8	17	21.5	12	17.5	4	25
ZAH-081	8	1/8	14	28	8	19	5	15.8
ZAH-082		1/4	14	27	11	19	6	16
ZAH-083		3/8	17	22.5	12	19	6	22.4
ZAH-101 ※	10	1/8	17	31	8	21.5	5	24.5
ZAH-102		1/4	17	32.5	11	21.5	8	26.1
ZAH-103		3/8	17	28.5	12	21.5	8	25.8
ZAH-104		1/2	22	26.5	15	21.5	8	45.4
ZAH-122 ※	12	1/4	19	35.5	11	23	8	34
ZAH-123		3/8	19	30.5	12	23	10	34
ZAH-124		1/2	22	29.5	15	23	10	46.8

※印の機種は受注生産品です。

※ : Production on order.



M5タイプ
M5 Type

