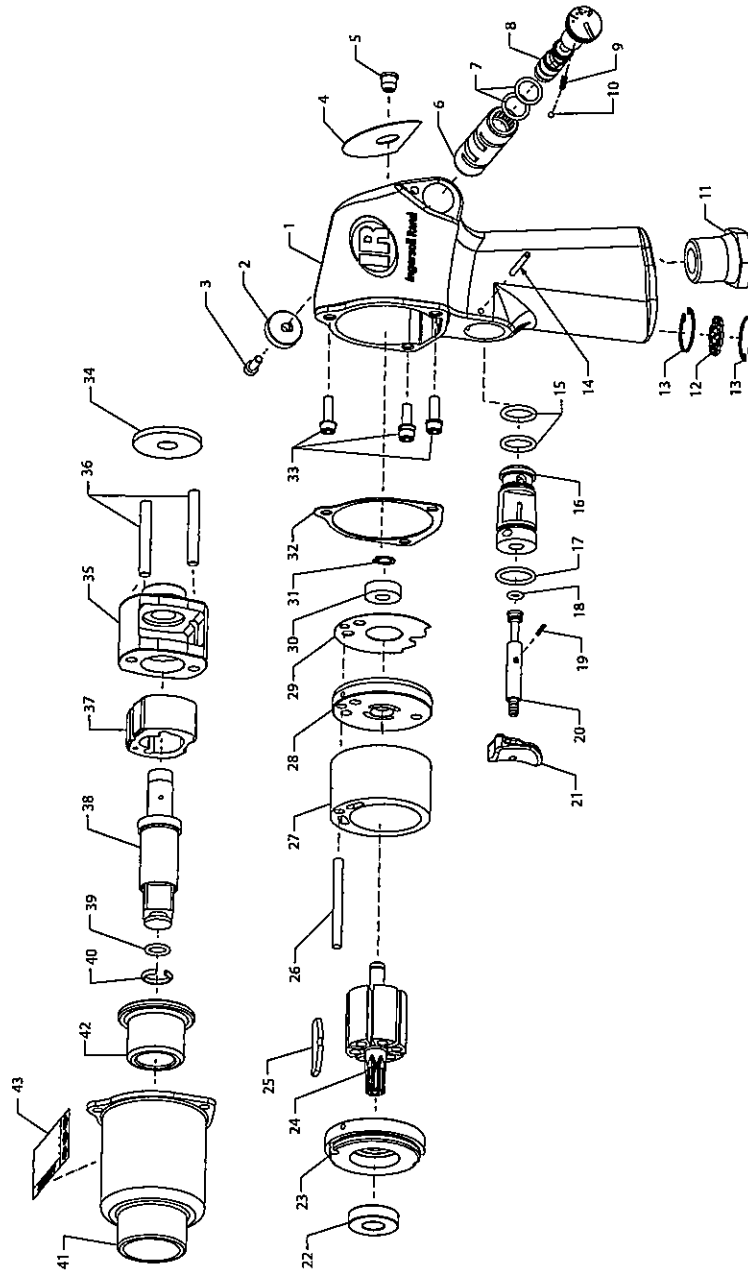


212A and 222A Air Impact Wrench - Exploded Diagram



(Dwg. 45763752)



45763612
Edition 2
July 2009

212A and 222A Air Impact Wrench - Parts List

Item	Part Description	Part Number	Item	Part Description	Part Number
1	Housing Assembly		29	End Plate Gasket	202-739
	for 212A	212A-A40	*30	Rear Rotor Bearing	401-22
	for 222A	222A-A40	*31	Rear Rotor Bearing Retainer	MF-18
2	Reverse Valve Knob	1702P-666	*32	Hammer Case Gasket	2902-36
3	Knob Screw	WWA100-77	33	Hammer Case Cap Screw (3)	1702-638
4	Nameplate		34	Hammer Frame Washer	1702-706
	for 212A	212A-301	35	Hammer Frame Assembly	1702-A703A
	for 222A	222A-301	36	Hammer Pin (2)	1702-704
5	Grease Fitting	131-188	37	Hammer	1702-724A
6	Reverse Valve Bushing	1702P-330	38	Anvil Assembly	
*7	Reverse valve O-Ring (2)	CE110-210		for 212A	1702-A626
8	Reverse Valve	1702P-329		for 222A	222A-A626
*9	Detent Ball Spring	202-664	*39	Retainer Support Ring	
*10	Detent Ball	R000B-263		for 212A	1702-426
11	Inlet Bushing	402-565		for 222A (O-Ring)	R1A-159
*12	Exhaust Deflector	1702P-123	*40	Retainer Ring	
13	Exhaust Deflector Retaining Ring (2)	2908-304		for 212A	1702-425
14	Bushing Retaining Pin	R100B-120		for 222A	2135-425
—	Throttle Valve Assembly	202-A302	41	Hammer Case Assembly	
*15	Bushing O-Ring, Small (2)	202-290		for 212A	1702-A727
16	Throttle Valve Bushing	202-503		for 222A	222A-A727
*17	Bushing O-Ring, Large	410-283	42	Hammer Case Bushing	
*18	O-Ring	R000BR1C-283		for 212A	401-641
19	Throttle Valve Retaining Pin	AF120-322		for 222A	222-641
20	Throttle Valve	202-302	43	Warning Label	WARNING-2-99
21	Trigger	SRA-93	44	Vertical Hanger	1901-365
*22	Front Rotor Bearing	222A-97		Tune up Kit	
23	Front End Plate	201-11		for 212A	212-TK2
24	Rotor	401-53		for 222A	222A-TK2
*25	Vane Packet (set of 6)	401-42A-6		Mechanism Kit (includes 35, 37, 38)	
26	Cylinder Dowel	HH92-74		for 212A	212A-THK
27	Cylinder	401-3		for 222A	222A-THK
28	Rear End Plate	201-12			

* Indicates parts included in Tune up Kit.

Parts and Maintenance

When the life of the tool has expired, it is recommended that the tool be disassembled, degreased and parts be separated by material so that they can be recycled.

Tool repair and maintenance should only be carried out by an authorized Service Center.

Refer all communications to the nearest **Ingersoll Rand** Office or Distributor.

Related Documentation

For additional information refer to:
 Air Impact Wrench Product Safety Information Manual 04580916.
 Air Impact Wrench Product Information Manual 45764479.
 Manuals can be downloaded from www.irtools.com.



www.irtools.com
 © 2009 Ingersoll Rand Company

45763612
 Edition 2
 July 2009