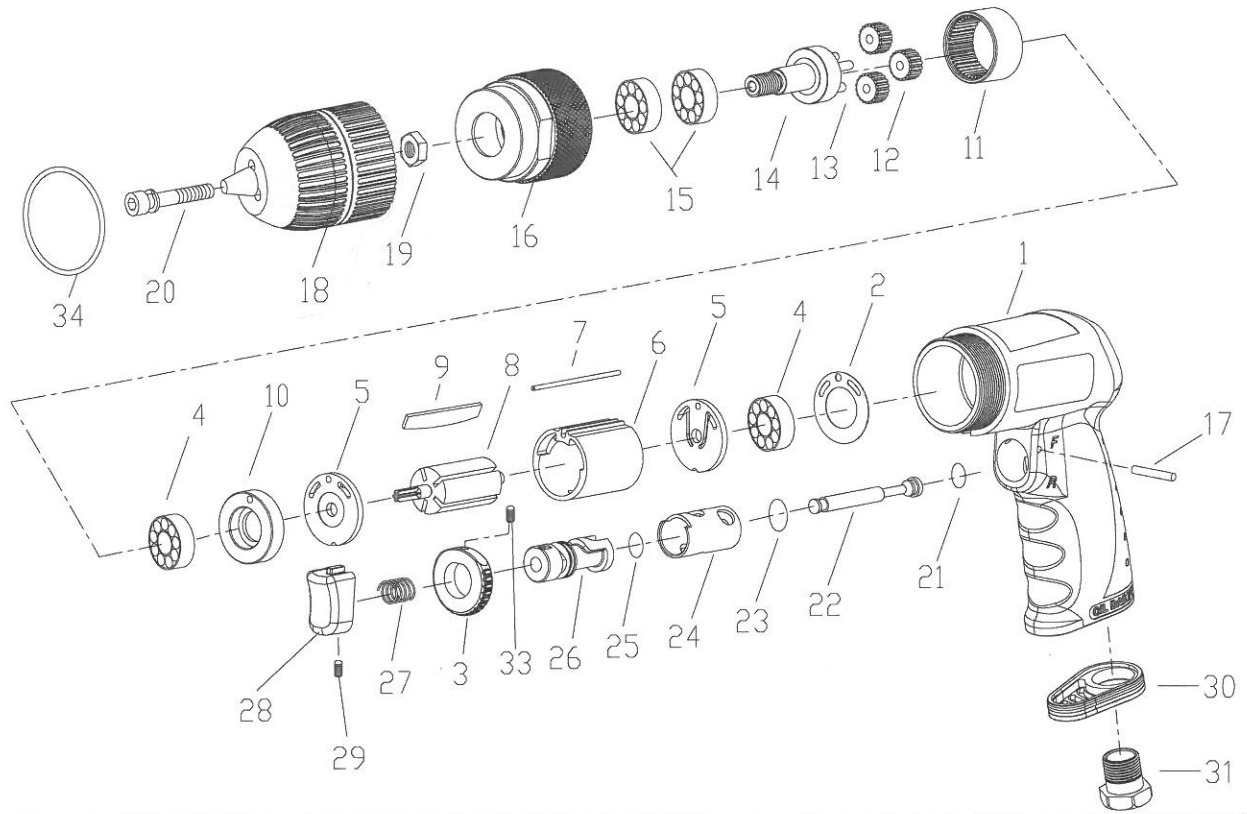


ZK-4201F-1 3/8" Reversible Air Drill



No.	Part No.	Description	Q'ty	No.	Part No.	Description	Q'ty
1	4201FD01S	Housing set	1	17	SP005	Pin(2.5*22L)	1
	4201FD01	Housing	1	18	CH101	Keyless Chuck	1
	4201FD02	Valve sleeve	1	19	SN009	Hex Nut (3/8"-24UNF)	1
	4201FD03	Air Inlet sleeve	1	20	SH004-3	Screw (M5*0.8*20L)	1
2	421D02	Motor Gasket	1	21	SO014	O-ring (AS008)	1
3	4201FD05	Reverse Ring	1	22	4201FD07	Valve Stem	1
4	CA626ZZ	Ball Bearing	2	23	SO044	O-ring (AS015)	1
5	421D05	End Plate	2	24	421D24	Reverse Bushing	1
6	421D06	Cylinder	1	25	SO034	O-ring (AS013)	1
7	421D07	Pin	1	26	4201FD06	Reverse Lever	1
8	421D08	Rotor	1	27	421D27	Spring	1
9	2202D17	Rotor Blade	5	28	4201FD04	Trigger	1
10	421D10	Bearing set	1	29	SH026	Screw(M4*6L)	1
11	421D11	Internal Gear	1	30	4201FD08	Exhaust Deflector	1
12	421D12	Gear	3	31	4201FD10	Air Inlet	1
13	5201W24	Pin	3	33	SH094	Screw(M3*5L)	1
14	421D14	Work Spindle	1	34	SO	O-ring	1
15	CA6201ZZ	Ball Bearing	2				
16	4201FD09	Clamp Nut	1				