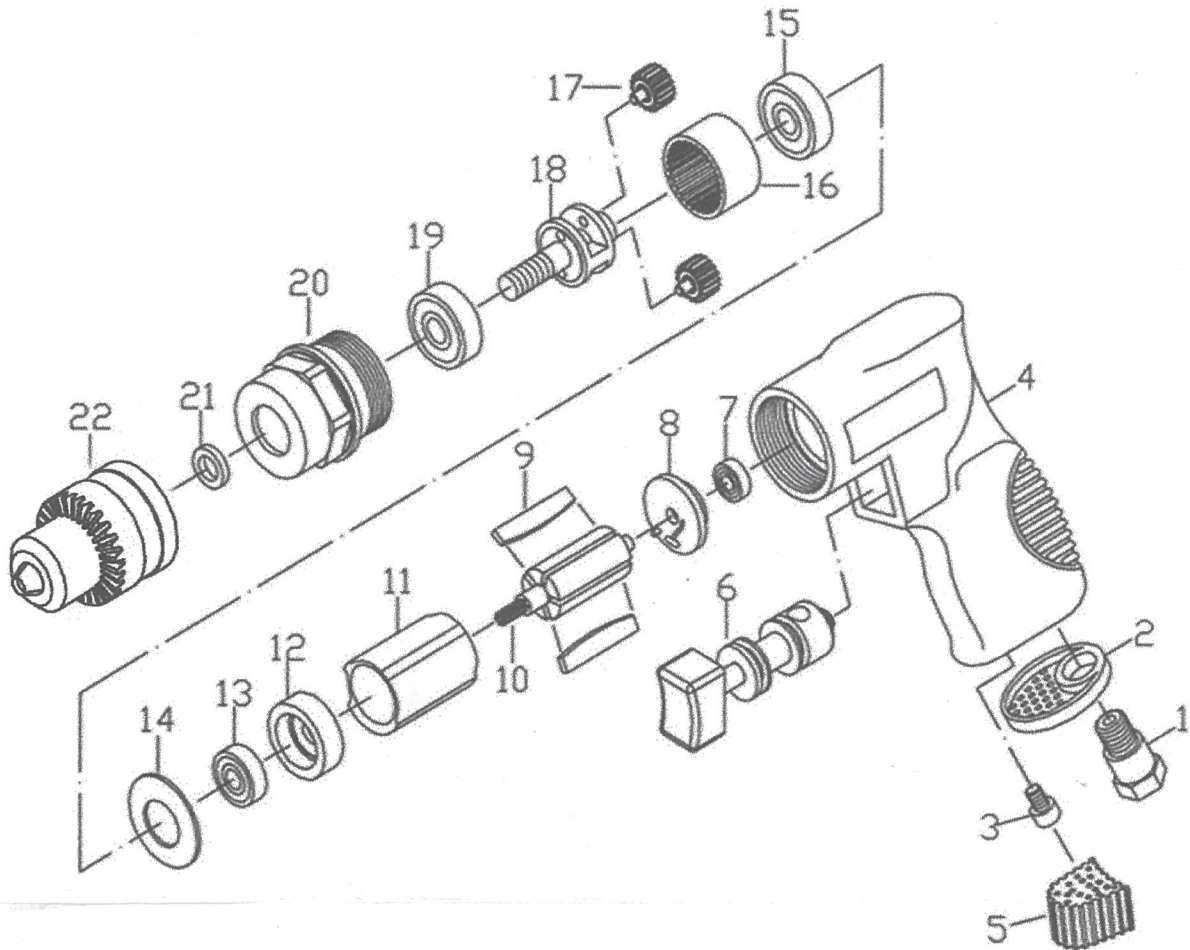


3/8" AIR DRILL



NO	PART NO	DESCRIPTION	Q'TY
01	20301.2	AIR INLET	1
02	20302	EXHAUST SLEEVE	1
03	70103	SCREW	1
04	21104-13	HOUSING	1
05	21304.2	MUFFLER	1
06	DL70109AS	VALVE BODY SET	1
07	20312	BEARING (696ZZ)	1
08	DL70113AS	REAR PLATE SET	1
09	70116	ROTOR BLADE	5
10	21117	ROTOR	1
11	70114-1	CYLINDER	1

NO	PART NO	DESCRIPTION	Q'TY
12	70117-1	FRONT PLATE	1
13	20312	BEARING(696ZZ)	1
14	21121	WASHER	1
15	OB-31	BEARING (6001ZZ)	1
16	21322	GEAR LINK	1
17	ST24527.1AS	IDLER GEAR SET (18T)	2
18	21326A	GEAR PLATE	1
19	24531A	BEARING (6200ZZ)	1
20	ST21328	CLAMP NUT	1
21	21329	WASHER	1
22	20330-1	3/8" CHUNK	1

WE RESERVE THE RIGHT FOR ANY DESIGNING CHANGES TO THE PARTS AND WITHOUT ANY NOTICE IN ADVANCE.

EA158PC-1A