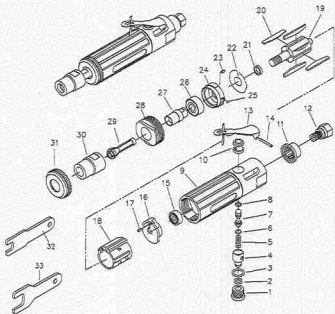


1/4" H.D. DIE GRINDER



PART LIST (WHEN ORDERING SPARE PRATS, PLEASE SPECIFY TOOL MODEL PART NO., AND PART NAME.)

REF NO.	PART NO.	DESCRIPTION	Q'TY
1	001	PLUG SCREW	1
2	002	O-RING	1
3	003	O-RING	1
4	004	AIR REGULATOR	1
5	005	VALVE SPRING	1
6	006	O-RING	1
7	007	VALVE SPRING	1
8	008	O-RING	1
9	009	MOTOR HOUSING	1
10	010	VALVE BUSHING	1
11	011	MUFFLER	1
12	012	AIR INLET	1
13	013	LEVER	1
14	014	LEVER PIN	1
15	015	BEARING	1
16	016	BEARING PLATE	1
17	017	LOCATING PIN	1

REF NO.	PART NO.	DESCRIPTION	Q'TY
18	018	CYLINDER	1
19	019	ROTOR	1
20	020	ROTOR BLADE	4
21	021	ROTOR COLLAR	1
22	022	STEEL PLATE	1
23	023	LOCATING PIN	1
24	024	BEARING PLATE	1
25	025	BALL	1
26	026	BEARING	1
27	027	SPINDLE	1
28	028	LOCK RING	1
29	029	COLLET	1
30	030	COLLET NUT	1
31	031	HOUSING CAP	1
32	032	WRENCH (11mm)	1
33	033	WRENCH (17mm)	1