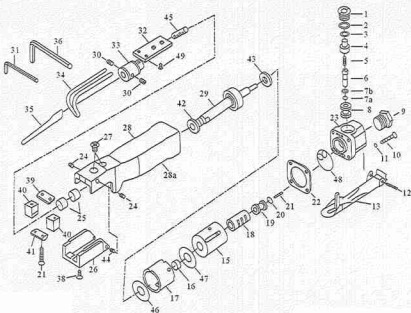


AIR BODY SAW



Index No.	Parts No.	Description	Q't y
1	301001	Valve Screw	1
2	ORP-0110	O-Ring(P11)	1
3	ORP-0070	O-Ring(P7)	1
4	301004	Air Controller	2
5	301005	Valve Spring	1
6	301006	Valve Stem	1
7A	ORP-0006	O-Ring(P0006)	1
7B	ORP-0007	O-Ring(P0007)	1
8	301008	Valve Bushing	1
9	AR-38001	Air Inlet	1
10	B2-0415A	Cap Screw(M4*15)	4
11	SWI-040B	Washer(M4)	4
12	SP-30230	Lever Pin(3*23)	1
13	301013	Throttle Lever	1
15	301015	Valve Case	1
16	301016	Bush(0806)	1
17	301017	Cylinder	1
18	301018	Valve Steeve	1
19	301019	Actuate Valve	1
20	301020	Washer(3*8*8t)	1
21	B2-0323A	Cap Screw(M3*23)	3
22	301022	Gasket	1
23	301023	Valve Block	1
24	SS-0406A	Set Screw	2
25	301025	Bush(0810)	2
26	301026	Chuck Cover	1

Index No.	Parts No.	Description	Q't y
27	S5-0510C	Screw(M5*10)	2
28	301028	Housing	1
28A	301028A	Plastic Wrapp	1
29	301029	Pising Ass'y	1
30	SS-0808	Set Screw(5/16**5/16)	2
31	301031	Service Wrench(2mm)	1
32	301032	Guide Plete	1
33	301033	Blade Chuck	1
34A	301034A	Work Guide(Long)	1
34B	301034B	Work Guide(Short)	1
35A	301035A	Saw Blade(32T)	1
35B	301035B	Saw Blade(24T)	1
36	301036	Service Wrench(4mm)	1
38	S5-0410C	Screw(M4*10)	1
38A	301038A	Retaining Ring (cstw-03)	1
39	301039	Uper Wear Shoe	1
40	301040	Brade Guide	2
41	301041	Bridge	1
42	301042	Form Bumper	1
43	301043	Rear Bumper	1
44	SP-25050+	Sprint Pin(2.5*5)	2
45	301045	Spring	1
46	301046	Packing	1
47	301047	Packing	1
48	301048	Packing	1
49	SS-0505A	Set Screw(M5*25)	1