

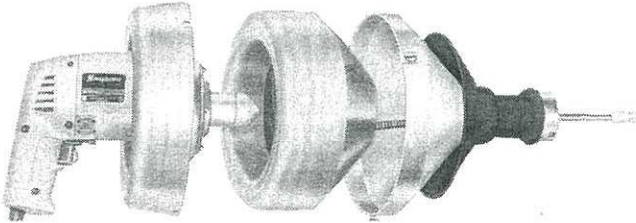
VARIABLE SPEED TRIGGER

Built into the trigger is a fixed speed control knob. You can reduce the machine's maximum speed by turning the knob counter-clockwise until you get the speed you want.

Turning the knob **too far** will prevent the machine from spinning and damage the motor. Some users select the maximum speed they want and then lock the maximum speed control knob with epoxy cement.

TO CHANGE CABLE CARTRIDGES

1. Remove the cutter and screw from the cable, if one is attached.
2. Loosen three screws that hold front and back of container together.
3. Pull the container front off the machine.

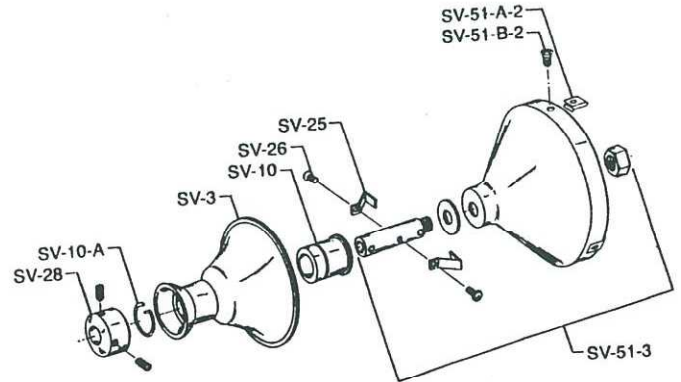


4. Remove the first cartridge and press replacement cartridge **firmly** into back of container. Make sure to line up the grooves in the cartridge with the slots in the container back.
5. Slide cable through front of container. Be sure grip shield is in forward position and feed adjustment knob is loosened (turn clockwise). Position container front so that the screws and slots in the container back are aligned.
6. Tighten screws firmly, making sure they are centered in the slots, and tightened so that the heads of the screws are **flush** with the container.

TO CLEAN OR REPLACE GRIPPERS

If your Super-Vee is not gripping the cable properly, the cable grippers might need to be cleaned or replaced. Changing cable grippers is a simple job:

1. Loosen two 3/8" set screws in front collar.
2. Remove front collar and slide off grip shield.
3. Remove screws holding cable grippers.
4. Clean cable grippers or replace and re-assemble.

**MAINTENANCE**

To keep your machine operating smoothly, it is essential that all bearings and cables be lubricated. Oiling moving parts is particularly important where machine comes in contact with sand, grit, and other abrasive material.

To get maximum service from your cables, be sure they are well oiled. Some users periodically pour oil directly into the container. Then as the container turns, the cables get complete lubrication. Our SNAKE OIL is ideal for this purpose, since it not only lubricates the cables, it disinfects and deodorizes them.

General
PIPE CLEANERS

General Wire Spring Co.
1101 Thompson Ave.
McKees Rocks, PA 15136
412/771-6300 Fax: 412/771-2771