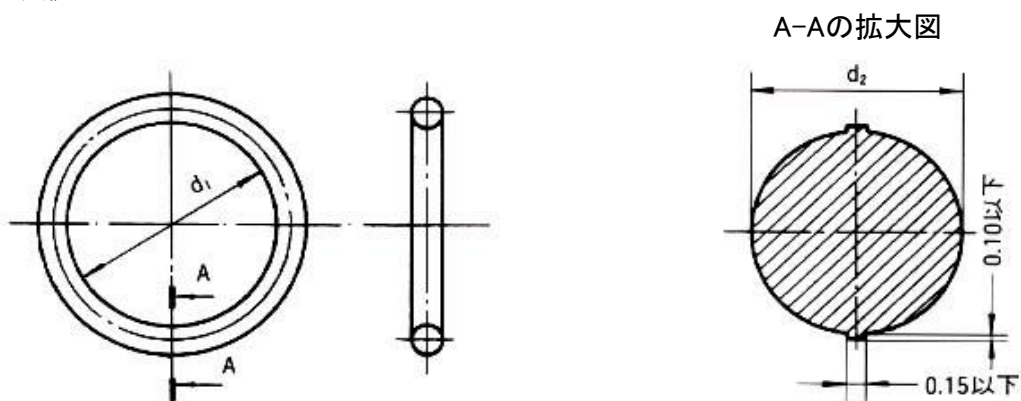


EA423R-11A-50A フッ素ゴムオーリング(5個入り)

ver.1.0



《形状・寸法》



●耐熱温度…150°C

単位 : mm

	内径(d1)		太さ(d2)の基準寸法と許容差		溝部の寸法 (参考)	
	基準寸法	許容差	2.4±0.09	3.5±0.10	軸径	穴径
			呼び番号			
EA423R-11A	10.8	±0.18	P11		11	15
EA423R-12A	11.8	±0.19	P12		12	16
EA423R-14A	13.8	±0.19	P14		14	18
EA423R-15A	14.8	±0.2	P15		15	19
EA423R-16A	15.8	±0.2	P16		16	20
EA423R-18A	17.8	±0.21	P18		18	22
EA423R-20A	19.8	±0.22	P20		20	24
EA423R-21A	20.8	±0.23	P21		21	25
EA423R-22A	21.8	±0.24	P22		22	26
EA423R-24A	23.7	±0.24		P24	24	30
EA423R-25A	24.7	±0.25		P25	25	31
EA423R-26A	25.7	±0.26		P26	26	32
EA423R-28A	27.7	±0.16		P28	28	34
EA423R-29A	28.7	±0.28		P29	29	35
EA423R-30A	29.7	±0.29		P30	30	36
EA423R-32A	31.7	±0.31		P32	32	38
EA423R-34A	33.7	±0.33		P34	34	40
EA423R-35A	34.7	±0.34		P35	35	41
EA423R-36A	35.7	±0.34		P36	36	42
EA423R-38A	37.7	±0.37		P38	38	44
EA423R-39A	38.7	±0.37		P39	39	45
EA423R-40A	39.7	±0.37		P40	40	46
EA423R-42A	31.7	±0.39		P42	42	48
EA423R-44A	43.7	±0.41		P44	44	50
EA423R-45A	44.7	±0.41		P45	45	51
EA423R-46A	45.7	±0.42		P46	46	52
EA423R-48A	47.7	±0.44		P48	48	54
EA423R-49A	48.7	±0.45		P49	49	55
EA423R-50A	49.7	±0.45		P50	50	56