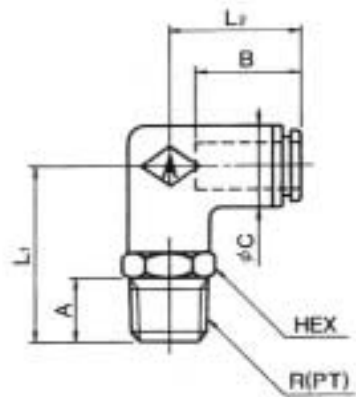


# EA425DC - 41 - 104 エルボユニオン

(Unit : mm)



型番 Part No.	適用チューブ外径T Applied Tube O.D.	接続ネジ Connecting thread	HEX	L <sub>1</sub>	L <sub>2</sub>	A	B	C	最小穴径 Minimum Opening	
<del>EA425DC-41</del>	<del>4</del>	<del>1/8</del>	<del>12</del>	<del>24.5</del>	<del>17.5</del>	<del>8</del>	<del>15</del>	<del>12</del>	<del>2.5</del>	<del>廃番</del>
<del>EA425DC-42</del>	<del>4</del>	<del>1/4</del>	<del>14</del>	<del>27.5</del>	<del>17.5</del>	<del>11</del>	<del>15</del>	<del>12</del>	<del>2.5</del>	<del>廃番</del>
EA425DC-61	6	1/8	12	25.5	20	8	16.5	12	4	
EA425DC-62	6	1/4	14	28.5	20	11	16.5	12	4	
<del>EA425DC-63</del>	<del>6</del>	<del>3/8</del>	<del>17</del>	<del>29.5</del>	<del>20</del>	<del>12</del>	<del>16.5</del>	<del>12</del>	<del>4</del>	<del>廃番</del>
EA425DC-82	8	1/4	14	29.5	22	11	17.5	14	6	
EA425DC-83	8	3/8	17	31.5	22	12	17.5	14	6	
EA425DC-102	10	1/4	17	31.5	25.5	11	20	17	8	
<del>EA425DC-103</del>	<del>10</del>	<del>3/8</del>	<del>17</del>	<del>33</del>	<del>25.5</del>	<del>12</del>	<del>20</del>	<del>17</del>	<del>8</del>	<del>廃番</del>
<del>EA425DC-104</del>	<del>10</del>	<del>1/2</del>	<del>22</del>	<del>36</del>	<del>25.5</del>	<del>15</del>	<del>20</del>	<del>17</del>	<del>8</del>	<del>廃番</del>