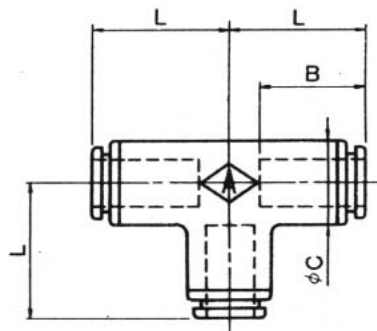


# EA425DE-4-10 T型ユニオン



(Unit : mm)

型番 Part No.	適用チューブ外径T Applied Tube O.D.	L	B	C	最小穴径 Minimum Opening
EA425DE-4	4	18	15	12	2.5
EA425DE-6	6	20.5	16.5	12	4
EA425DE-8	8	22.5	17.5	14	6
EA425DE-10	10	26	20	17	8