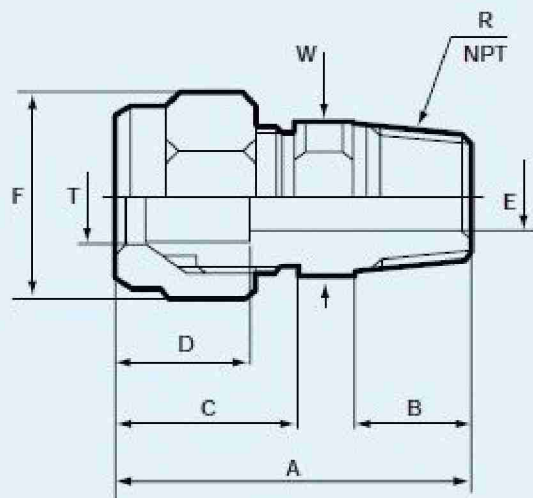


MC メール コネクタ MALE CONNECTOR



NPTサイズ ネジサイズ "R" がNPT[アメリカ
管用ネジ]になっています。

NPT size: The Pipe thread size "P" conforms to
NPT (National Pipe Tapered).

| | T | | R (PT) size | Part No. [Rネジ] | | Part No. [NPTネジ] | | A | B | C | D | E | F | W |
|-------------|-----|------|-------------------|-----------------|-----------------|------------------|------------------|----|----|----|----|----|----|----|
| | mm | inch | | MC | MCT | MC | MCT | | | | | | | |
| | 3 | 1/8 | 1/8 | 30- 3MC 2-C | 30- 3MCT 2-C | 30- 3MC 2N-C | 30- 3MCT 2N-C | 24 | 9 | 9 | 5 | 2 | 8 | 10 |
| | | | 1/4 | 30- 3MC 4-C | 30- 3MCT 4-C | 30- 3MC 4N-C | 30- 3MCT 4N-C | 28 | 13 | 9 | 5 | 2 | 8 | 14 |
| EA425HA-41 | 4 | - | 1/8 | 30- 4MC 2-C | 30- 4MCT 2-C | 30- 4MC 2N-C | 30- 4MCT 2N-C | 26 | 9 | 11 | 7 | 3 | 10 | 10 |
| EA425HA-42 | | | 1/4 | 30- 4MC 4-C | 30- 4MCT 4-C | 30- 4MC 4N-C | 30- 4MCT 4N-C | 30 | 13 | 11 | 7 | 3 | 10 | 14 |
| EA425HA-61 | 6 | 1/4 | 1/8 | 30- 6MC 2-C | 30- 6MCT 2-C | 30- 6MC 2N-C | 30- 6MCT 2N-C | 29 | 9 | | | | | 10 |
| EA425HA-62 | | | 1/4 | 30- 6MC 4-C | 30- 6MCT 4-C | 30- 6MC 4N-C | 30- 6MCT 4N-C | 33 | 13 | 14 | 10 | 4 | 12 | 14 |
| EA425HA-63 | | | 3/8 | 30- 6MC 6-C | 30- 6MCT 6-C | 30- 6MC 6N-C | 30- 6MCT 6N-C | 33 | 13 | 14 | 10 | 4 | 12 | 17 |
| | | | 1/2 | 30- 6MC 8-C | 30- 6MCT 8-C | 30- 6MC 8N-C | 30- 6MCT 8N-C | 38 | 17 | | | | | 22 |
| EA425HA-81 | 8 | 5/16 | 1/8 | 30- 8MC 2-C | - | 30- 8MC 2N-C | - | 33 | 9 | | | 4 | | 14 |
| EA425HA-82 | | | 1/4 | 30- 8MC 4-C | 30- 8MCT 4-C | 30- 8MC 4N-C | 30- 8MCT 4N-C | 36 | 13 | 18 | 12 | 6 | 17 | 14 |
| EA425HA-83 | | | 3/8 | 30- 8MC 6-C | 30- 8MCT 6-C | 30- 8MC 6N-C | 30- 8MCT 6N-C | 37 | 13 | 18 | 12 | 6 | 17 | 17 |
| | | | 1/2 | 30- 8MC 8-C | 30- 8MCT 8-C | 30- 8MC 8N-C | 30- 8MCT 8N-C | 41 | 17 | | | 6 | | 22 |
| EA425HA-102 | 10 | 3/8 | 1/8 | 30- 10MC 2-C | - | 30- 10MC 2N-C | - | 36 | 9 | | | 4 | | 17 |
| EA425HA-103 | | | 1/4 | 30- 10MC 4-C | 30- 10MCT 4-C | 30- 10MC 4N-C | 30- 10MCT 4N-C | 40 | 13 | 21 | 16 | 6 | 22 | 17 |
| EA425HA-104 | | | 3/8 | 30- 10MC 6-C | 30- 10MCT 6-C | 30- 10MC 6N-C | 30- 10MCT 6N-C | 40 | 13 | 21 | 16 | 8 | 22 | 17 |
| EA425HA-122 | | | 1/2 | 30- 10MC 8-C | 30- 10MCT 8-C | 30- 10MC 8N-C | 30- 10MCT 8N-C | 43 | 17 | | | 8 | | 22 |
| EA425HA-123 | 12 | - | 1/4 | 30- 12MC 4-C | - | 30- 12MC 4N-C | - | 45 | 13 | | | 6 | | 19 |
| | | | 3/8 | 30- 12MC 6-C | 30- 12MCT 6-C | 30- 12MC 6N-C | - | 45 | 13 | 25 | 18 | 8 | 26 | 19 |
| | | | 1/2 | 30- 12MC 8-C | 30- 12MCT 8-C | 30- 12MC 8N-C | 30- 12MCT 8N-C | 49 | 17 | 25 | 18 | 10 | 26 | 22 |
| | | | 3/4 | 30- 12MC 12-C | 30- 12MCT 12-C | 30- 12MC 12N-C | - | 52 | 19 | | | 10 | | 27 |
| | - | 1/2 | 1/4 | 30- 12.7MC 4-C | - | 30- 12.7MC 4N-C | - | 45 | 13 | | | 6 | | 19 |
| | | | 3/8 | 30- 12.7MC 6-C | 30-12.7MCT 6-C | 30- 12.7MC 6N-C | - | 45 | 13 | 25 | 18 | 8 | 26 | 19 |
| | | | 1/2 | 30- 12.7MC 8-C | 30-12.7MCT 8-C | 30- 12.7MC 8N-C | 30-12.7MCT 8N-C | 49 | 17 | 25 | 18 | 10 | 26 | 22 |
| | | | 3/4 | 30- 12.7MC 12-C | 30-12.7MCT 12-C | 30- 12.7MC 12N-C | 30-12.7MCT 12N-C | 52 | 19 | | | 10 | | 27 |
| 13 | - | 1/4 | 30- 13MC 4-C | - | 30- 13MC 4N-C | - | 45 | 13 | | | 6 | | 19 | |
| | | 3/8 | 30- 13MC 6-C | - | 30- 13MC 6N-C | - | 45 | 13 | 25 | 18 | 8 | 26 | 19 | |
| | | 1/2 | 30- 13MC 8-C | 30- 13MCT 8-C | 30- 13MC 8N-C | 30- 13MCT 8N-C | 49 | 17 | 25 | 18 | 10 | 26 | 22 | |
| | | 3/4 | 30- 13MC 12-C | 30- 13MCT 12-C | 30- 13MC 12N-C | - | 52 | 19 | | | 10 | | 27 | |
| 19 | 3/4 | 3/4 | 30- 19MC 12-C | 30- 19MCT 12-C | - | 30- 19MCT 12N-C | 61 | 19 | 33 | 33 | 12 | 30 | 27 | |
| | | 1 | 30- 19MC 16-C | 30- 19MCT 16-C | - | 30- 19MCT 16N-C | 66 | 22 | 33 | 33 | 16 | 30 | 36 | |

※MCT (ボアスルーコネクタ) は「E寸法」に該当する部分はありません。※There is no part correspond to "E" dimension on MCT fitting.

全ての寸法単位はミリメートルです。●Wは四角対辺の寸法です。●Part No.の斜体は非標準品です。

All dimensions are in millimeters. ●W expresses the size of the opposite side of a square. ●Part numbers in italics indicate nonstandard items.