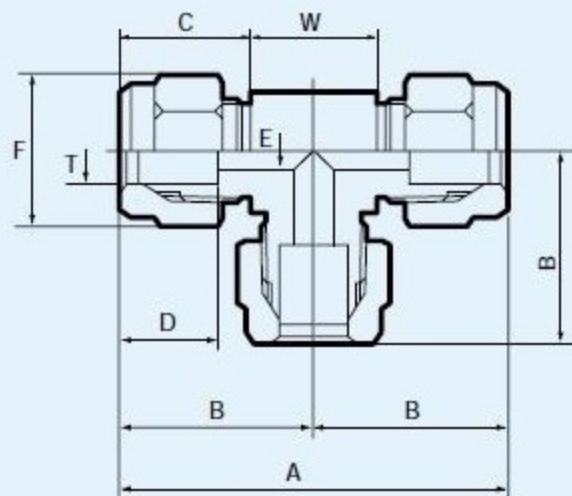


# UT ユニオン ティ UNION TEE



	T		Part No.				A	B	C	D	E	F	W
	mm	TUBE OD inch	UE	UT	UX								
	3	1/8	30- 3UE-C	30- 3UT-C	30- 3UX-C	24	12	9	5	2	8	6	
EA425HF-4	4	—	30- 4UE-C	30- 4UT-C	30- 4UX-C	30	15	11	7	3	10	8	
EA425HF-6	6	1/4	30- 6UE-C	30- 6UT-C	30- 6UX-C	38	19	14	10	4	12	10	
EA425HF-8	8	5/16	30- 8UE-C	30- 8UT-C	30- 8UX-C	50	25	18	12	6	17	14	
EA425HF-10	10	3/8	30- 10UE-C	30- 10UT-C	30- 10UX-C	60	30	21	16	8	22	17	
EA425HF-12	12	—	30- 12UE-C	30- 12UT-C	30- 12UX-C	72	36	25	18	10	26	22	
	—	1/2	30- 12.7UE-C	30- 12.7UT-C	30- 12.7UX-C	72	36	25	18	10	26	22	
	13	—	30- 13UE-C	30- 13UT-C	30- 13UX-C	72	36	25	18	10	26	22	

全ての寸法単位はミリメートルです。●Wは四角対辺の寸法です。●Part No.の斜体は非標準品です。

All dimensions are in millimeters. •W expresses the size of the opposite side of a square. •Part numbers in italics indicate nonstandard items.