

T9001WO サーモヘッド

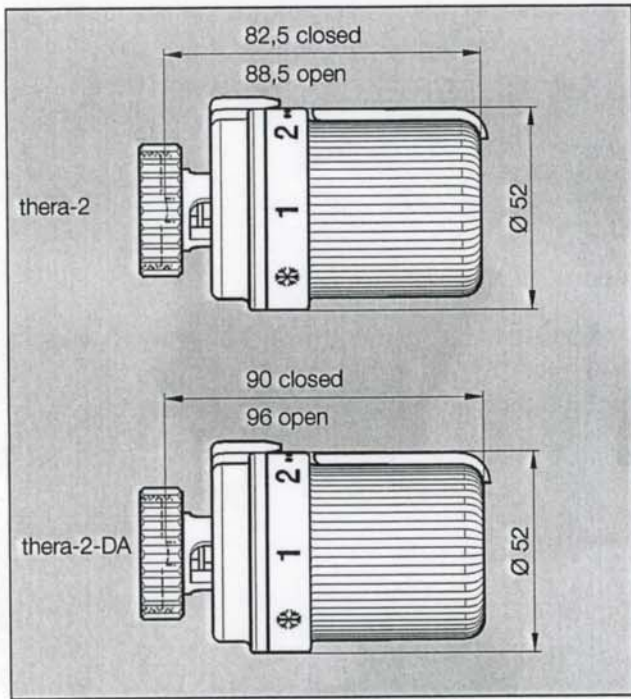
サーモヘッド

本体材質：樹脂

温度調整目盛付き。

温度調整目盛範囲：O \*～5（全閉、6℃～26℃）

V2000 サーモレジエーターハルブへ取り付け室温調整を行います。



**Method of Operation**

Radiator thermostats maintain the set room temperature automatically. The temperature in every room is controlled reliably without need of an external energy source according to your requirements. The air current flowing around the sensor ensures that the set temperature is maintained: if the temperature rises, the sensor inside the thermostatic valve head expands and the supply of water to the radiator is throttled. If the temperature drops the sensor contracts and opens the thermostatic valve accordingly. This means that the opening for the water is changed according to the movement of the sensor through the valve cartridge in the valve seat. The valve only allows as much water into the radiator as is necessary to maintain the set room temperature.

Type	Version	Temperature range °C	Frost protection mark							Part No.	O.S. No.
			closed	6	12	16	20	24	28		
ther-a-2	Liquid-filled element									1.30 40 01	T9001
ther-a-2	Wax-filled element			*	1	2	3	4	5	1.30 50 01	<del>T9002WO</del>
ther-a-2-DA	Liquid-filled element									1.30 40 07	T9001DA

**ther-a-2 with zero position**

Type	Version	Temperature range °C	Frost protection mark							Part Nr.	O.S. No.
			closed	6	10	15	20	23	26		
ther-a-2	Liquid-filled element									1.30 40 02	<del>T9001WO</del>
ther-a-2	Wax-filled element		0	*	1	2	3	4	5	1.30 50 02	T9002
ther-a-2-DA	Liquid-filled element									1.30 40 08	T9001DAWOA

**Accessories**

**Theft protection ring, white**



1.60 10 50

**Cover ring, white**



1.01 01 74.110

**Screwdriver for theft protection ring (2.5 mm Torx)**

0.24 23 02.020

Subject to change · EN0H-016GE25P0399

**Honeywell**

**MNG Water Control** · Honeywell AG  
 Zu den Ruhrwiesen 3 · D-59755 Arnsberg-Neheim  
 P.O. Box 20 40 · D-59710 Arnsberg  
 ☎ (49) 2932/988-0 · Fax (49) 2932/988-239

<http://europe.hbc.honeywell.com>