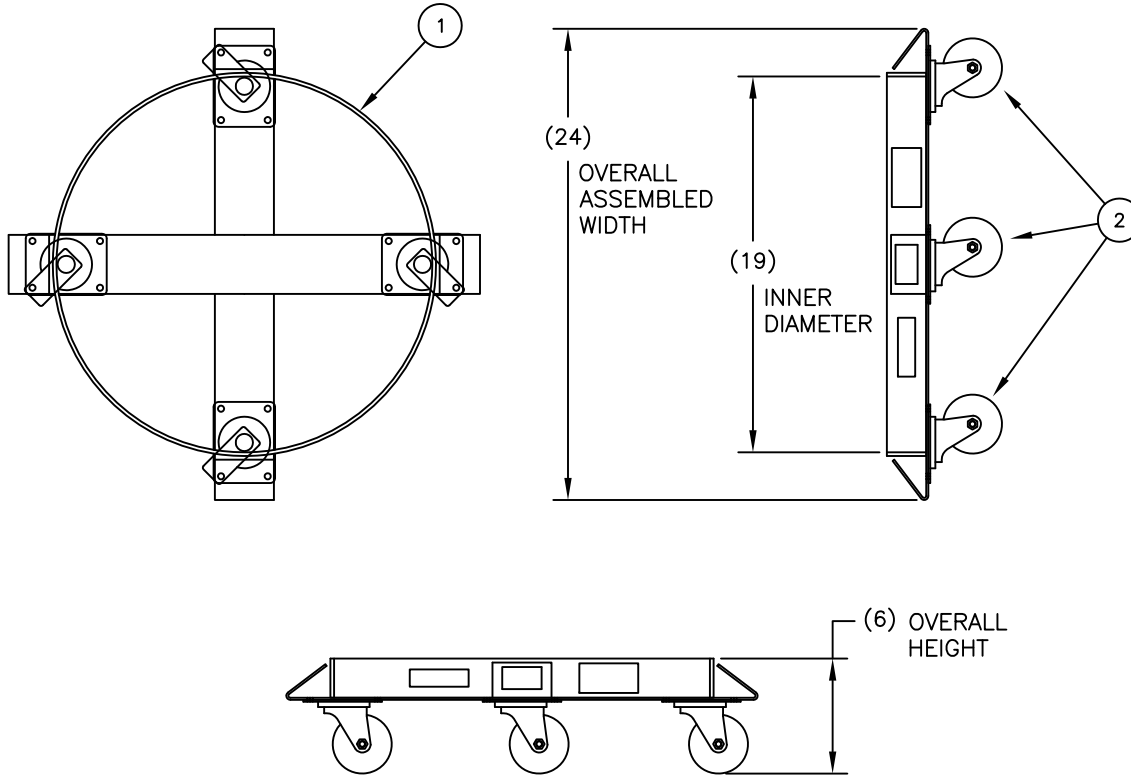


240028

REPLACEMENT PARTS LIST

1	053384	WELDMENT: DOLLY (D3)	1
2	055248	CASTER: SET 3" SI W/ ZINC RIG	1



STEEL DRUM DOLLIES

- Superior design places drum chime over caster kingpin for greater load stability and long cater life.
- All welded steel frame construction with reinforced outriggers.
- Four bolt on 3" swivel casters.
- I.D. varies among models.
- Model available for 30, 55, and 85 gallon drums.

P/N 240028

Model: D3-SI
 Capacity: 1,000 lbs
 Weight: 18 lbs
 Unit I.D.: 19"
 Drum size: 30 gal.
 Caster Type: Sintered Iron
 Box: Yes

THIS DRAWING IN ALL PARTICULARS IS WESCO INDUSTRIAL PRODUCTS INC. PROPERTY. ALL RIGHTS OF DESIGN, INVENTION OR USE OF ARE RESERVED.

PRINT ISSUED
 NOV. 15, 2006
 WESCO MANUFACTURING
 ENGINEERING DEPARTMENT

R	W	S	APP
11-08-12	UPDATED PARTS LIST		
	ECN & DATE		
B	REV.		

REVISIONS

WESCO INDUSTRIAL PRODUCTS INC.
 NORTH WALES PENNA. 19454

PART NAME		D3-SI		DRAWN:	
		DRUM DOLLIES		CHECKED:	
TOLERANCE UNLESS OTHERWISE SPECIFIED				APP. ENGR.	
FRACTION	3 PLACE DECIMAL	2 PLACE DECIMAL	SCALE: 1" = 8"		
± 1/64	± .005	± .01			
ANGULAR ± 1-1/2°	SHEET 1	OF 1	A-240028 REV B		
BREAK ALL SHARP EDGES AND REMOVE ALL BURRS					