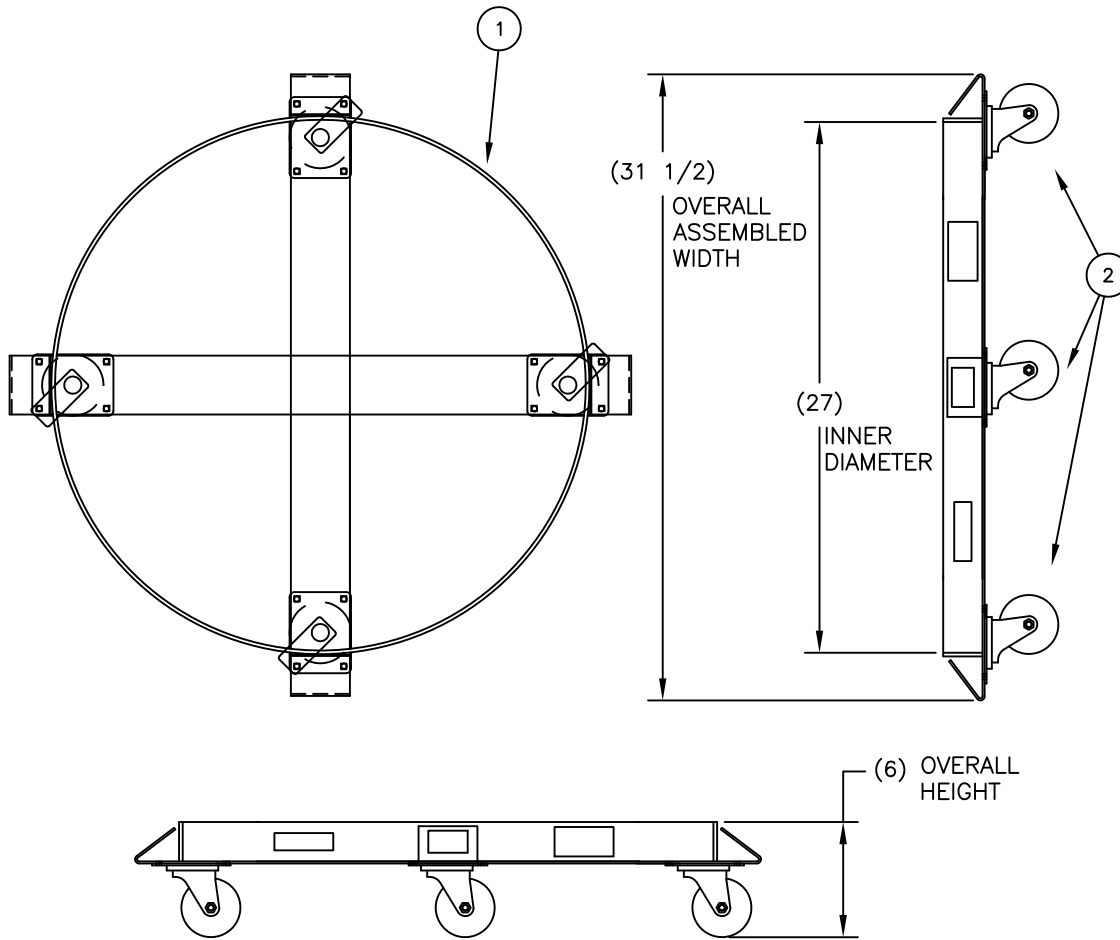


240088

REPLACEMENT PARTS LIST

1	053688	WELDMENT: DOLLY (D8)	1
2	055248	CASTER: SET 3" SI W/ ZINC RIG	1



STEEL DRUM DOLLIES

- Superior design places drum chime over caster kingpin for greater load stability and long cater life.
- All welded steel frame construction with reinforced outriggers.
- Four bolt on 3" swivel casters.
- I.D. varies among models.
- Model available for 30, 55, and 85 gallon drums.

P/N 240088

Model: D8-SI
 Capacity: 1,000 lbs
 Weight: 26 lbs
 Unit I.D.: 27"
 Drum size: 85 gal.
 Caster Type: Sintered Iron
 Box: Yes

THIS DRAWING IN ALL PARTICULARS IS WESCO INDUSTRIAL PRODUCTS INC. PROPERTY. ALL RIGHTS OF DESIGN, INVENTION OR USE OF ARE RESERVED.

<p>PRINT ISSUED</p> <p>NOV. 15, 2006</p> <p>WESCO MANUFACTURING ENGINEERING DEPARTMENT</p>	R	W	S	APP	<p>WESCO INDUSTRIAL PRODUCTS INC.</p> <p>NORTH WALES PENNA. 19454</p>			
	11-08-12	UPDATED PARTS LIST	ECN & DATE	REVISIONS		<p>PART NAME</p> <p>D8-SI</p> <p>DRUM DOLLIES</p>	DRAWN:	
	B	REV.				<p>TOLERANCE UNLESS OTHERWISE SPECIFIED</p> <p>FRACTION 3 PLACE DECIMAL 2 PLACE DECIMAL</p> <p>± 1/64 ± .005 ± .01</p> <p>ANGULAR ± 1-1/2" SHEET 1 OF 1</p> <p>BREAK ALL SHARP EDGES AND REMOVE ALL BURRS</p>	CHECKED:	
							<p>SCALE: 1" = 8"</p>	APP. ENGR.
							<p>A-240088</p>	REV B