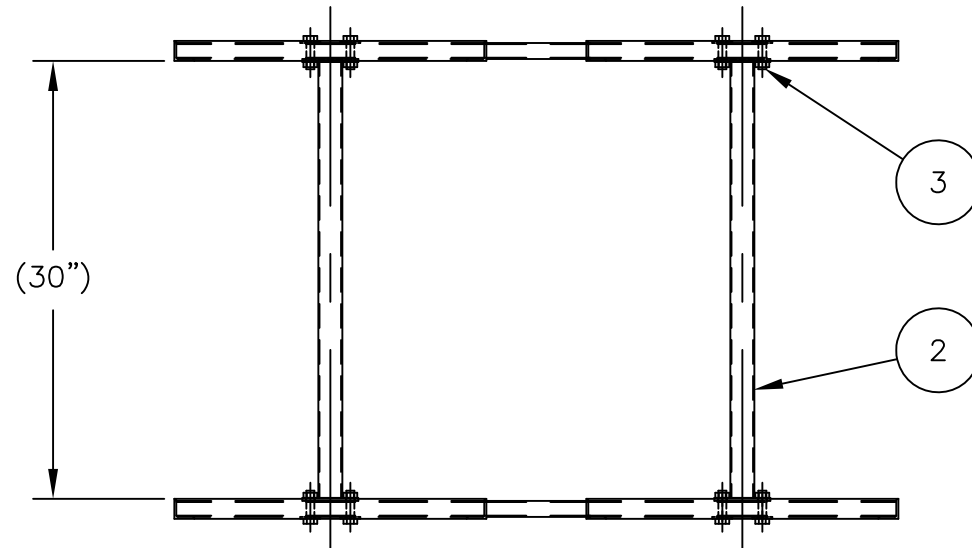
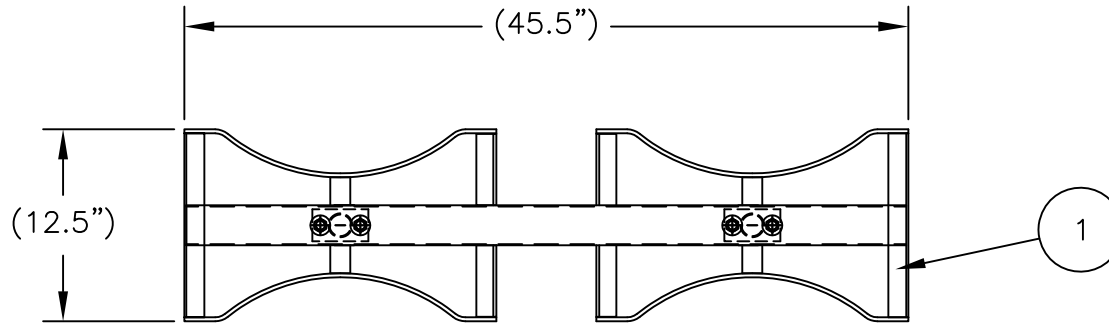


REPLACEMENT PARTS LIST

1	054172	SADDLE (DR-2)	2
2	054173	CROSS BRACES (DR-2)	2
3	108530	KIT: HARDWARE	2
* 4	108251	BOX: DR-2	1

* NOT SHOWN



DRUM RACKS

Features:

- Two and Three 55 gal. drum models
- Four-side fork truck entry.
- Can be safely staked 4 high.
- Standard models ship knocked down and boxed via UPS.
- Quick and easy to assemble.
- Welded and bolted construction.

P/N 240026

Model: DR-2
 Color: Orange
 Capacity: 1,600 lbs
 Drum: 2
 Dimension: 45.5" x 30" x 12.5"
 Weight: 49 lbs
 Box: Yes

THIS DRAWING IN ALL PARTICULARS IS WESCO INDUSTRIAL PRODUCTS INC. PROPERTY. ALL RIGHTS OF DESIGN, INVENTION OR USE OF ARE RESERVED.

PRINT ISSUED

NOV 16, 2006

WESCO MANUFACTURING
ENGINEERING DEPARTMENT

12-03-12	R	W	S	APP
12-03-12	UPDATED			
REV	EDN & DATE	REVISIONS		
H				

WESCO INDUSTRIAL PRODUCTS INC. NORTH WALES PENNA. 19454	
PART NAME DR-2 Drum Racks	DRAWN: CHECKED: APP. ENGR.
TOLERANCE UNLESS OTHERWISE SPECIFIED	
FRACTION 3 PLACE DECIMAL 2 PLACE DECIMAL ± 1/64 ± .005 ± .01	SCALE: 1" = 6"
ANGULAR ± 1-1/2° SHEET 1 OF 1 BREAK ALL SHARP EDGES AND REMOVE ALL BURRS	C-240026 REV H