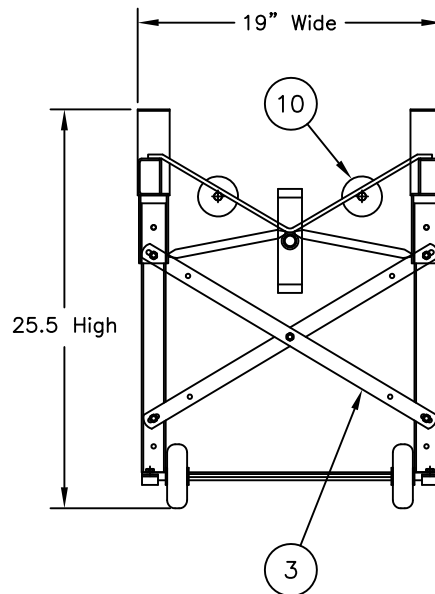
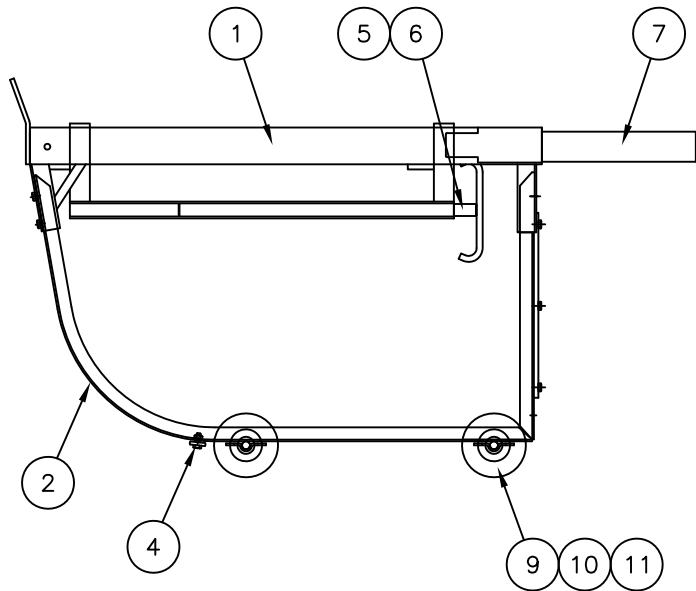


P/N 240025

Model: CW-20
 Capacity: 1,000 lbs
 Weight: 50 lbs
 Box: Yes



REPLACEMENT PARTS LIST

1	050221	WELDMENT: FRAME (CW-20)	1
2	151576	BAR: ROCKER	2
3	054177	BRACE: CROSS, SALES ITEM	2
4	054179	BAR: SPREADER, BOT'M SALES IT.	1
5	050187	WELDMENT: RETAINER	1
6	151832	AXLE: 3/4" DIA X 18-5/8"	1
7	108571	HANDLE: STRAIGHT, 41-5/8"	2
8	051292	WELDMENT: AXLE	2
9	101355	WHEEL: 4 X 1-1/4"	4
10	053429	HARDWARE: BAGGED	1
11	150103	WHEEL: 2-1/2 x 1-1/8, POLY.	4
12	108261	BOX: WHEEL KIT	1
13	108259	BOX: CW-20	1

DRIP TRAY OPTION

14	270413	KIT: DRIP TRAY W/ASBORBENT PAN	1
	151291	DRIP PAN	1
	170650	KIT: DRIP TRAY	1
15	270414	KIT: DRIP PAN	1
16	270415	KIT: DRIP TRAY W/O ABSORB. PAN	1
	055200	DRIP PAN WELDMENT	1
	055201	DRIP PAN BRACKET WELDMENT	1

DELUXE DRUM CRADLES

- Tips, drains, stores, rotates and move 30/55 gallon steel and fiber drums.
- Dual telescoping wood handles allow easy tow handed control and offer a good gripping surface for cold weather usage.
- Large 4" x 1.25" polyolefin wheels for easy movement over uneven floors.
- Shipped knocked down and boxed Via UPS.
- Backed by 2 year warranty against weld failure.
- Drip tray option.

THIS DRAWING IN ALL PARTICULARS IS WESCO INDUSTRIAL PRODUCTS INC. PROPERTY. ALL RIGHTS OF DESIGN, INVENTION OR USE OF ARE RESERVED.

PRINT ISSUED

NOV 20, 2006

WESCO MANUFACTURING
 ENGINEERING DEPARTMENT

11-29-12 F UPDATED	REV	EDN & DATE	APP	WESCO INDUSTRIAL PRODUCTS INC. NORTH WALES PENNA. 19454 PART NAME CW-20 Drum Cradles TOLERANCE UNLESS OTHERWISE SPECIFIED FRACTION 3 PLACE DECIMAL 2 PLACE DECIMAL ± 1/64 ± .005 ± .01 ANGULAR ± 1-1/2° SHEET 1 OF 1 BREAK ALL SHARP EDGES AND REMOVE ALL BURRS
	REVISIONS			
				DRAWN: CHECKED: APP. ENGR. SCALE: 1" = 6" C-240025 REV F