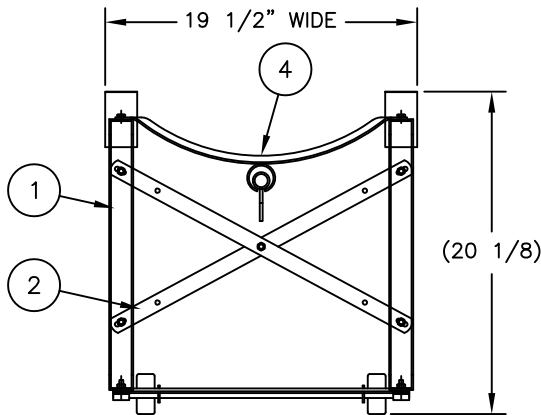
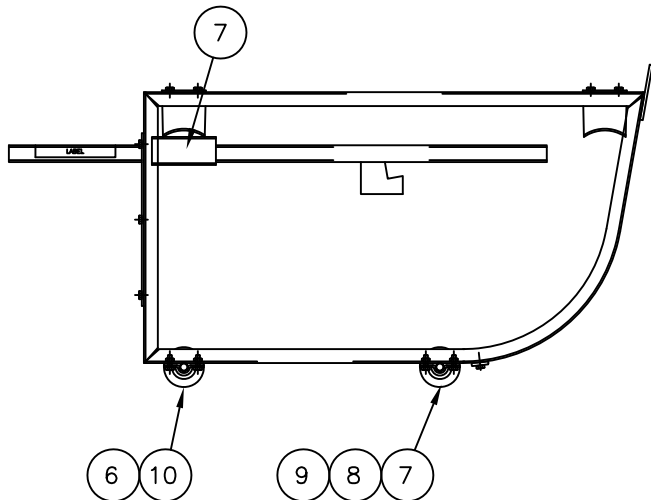
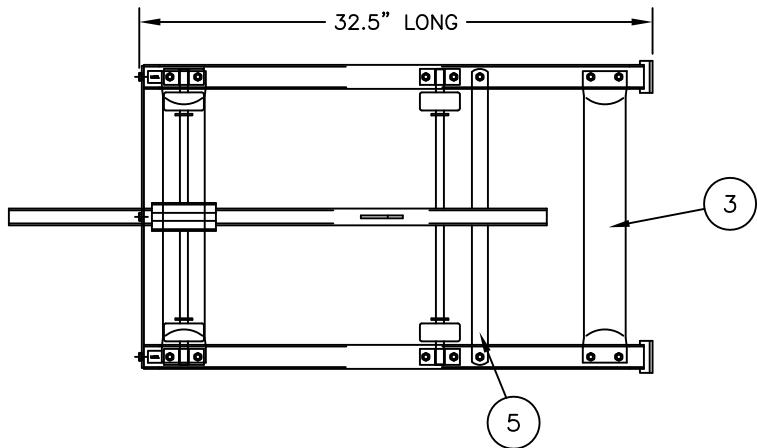


P/N 240024

Model: CWS-10
 Wheel Position: Inboard (2) swil. cstrs
 Capacity: 600 lbs
 Weight: 37 lbs
 Tipping Lever: Yes
 Box: Yes



REPLACEMENT PARTS LIST

1	054178	CRADLE: FRAME, SALES ITEM	2
2	054177	BRACE: CROSS, SALES ITEM	2
3	051349	BRACE: SADDLE, SALES ITEM	1
4	054176	WELDMENT: SADDLE, SLOTTED SALES ITEM	1
5	054179	BAR: SPREADER, BOTTOM SALES ITEM	1
6	054180	BRACE: BOTTOM SPREADER	1
7	054175	WELDMENT: TILT BAR SALES ITEM	1
* 8	053430	HARDWARE: BAGGED	1
9	051292	WELDMENT: AXLE	2
10	108447	SWIVEL CASTERS	2
* 11	108529	KIT: CRADLE HARDWARE	1
	150103	WHEEL: 2.5 x 1-1/8 POLYOLEFIN	2
* 12	108246	BOX: CW-10	1

DRIP TRAY OPTION

13	270413	KIT: DRIP TRAY W/ASBORBENT PAN	1
	151291	DRIP PAN	1
	170650	KIT: DRIP TRAY	1
	270414	KIT: DRIP PAN	1
	270415	KIT: DRIP TRAY W/O ABSORB. PAN	1
	055200	DRIP PAN WELDMENT	1
	055201	DRIP PAN BRACKET WELDMENT	1

STANDARD DRUM CRADLES

- Economical and convenient way to tip, drain and store 55 gallon drums.
- Easy for one person to use.
- All models ship knocked down and boxed via UPS.
- Models available with 2.5" polyolefin wheels, self-storing load tipping lever, and swivel casters.
- Drip tray option available for all models.
- Drum distance to floor on models without wheels is 13.5"

DRIP TRAY Features:

- Steel slide out tray 9.75" x 9.75" x 1.75" lip.
- Fits all Drum Cradles.
- Polyethylene pan
- Cellulose absorbent holds 3 quarts of liquid.

THIS DRAWING IN ALL PARTICULARS IS WESCO INDUSTRIAL PRODUCTS INC. PROPERTY. ALL RIGHTS OF DESIGN, INVENTION OR USE OF ARE RESERVED.

PRINT ISSUED

NOV 20, 2006

WESCO MANUFACTURING
 ENGINEERING DEPARTMENT

11-29-12 E UPDATED	R W S	REV. ECH & DATE	REV. REVISIONS	WESCO INDUSTRIAL PRODUCTS INC. NORTH WALES PENNA. 19454	
				PART NAME CWS-10 Drum Cradles	
				TOLERANCE UNLESS OTHERWISE SPECIFIED	
				FRACTION ± 1/64	3 PLACE DECIMAL ± .005
2 PLACE DECIMAL ± .01		SCALE: 1" = 6"	DRAWN: CHECKED: APP. ENGR.		
ANGULAR ± 1-1/2°		SHEET 1 OF 1	C-240024		
BREAK ALL SHARP EDGES AND REMOVE ALL BURRS				REV	E