



Operating Instructions and Parts Manual
Arbor Press – ½-, 1-, 2-, 3-, 5-Ton
Model No. AP0-M, AP1-M, AP2-M, AP3-M, AP5-M



WALTER MEIER (Manufacturing) Inc.
427 New Sanford Road
LaVergne, Tennessee 37086
Ph.: 800-274-6848
www.waltermeier.com

Part No. M-333605M
Revision A 05/2011
Copyright © 2011 Walter Meier (Manufacturing) Inc.

Warranty and Service

Walter Meier (Manufacturing) Inc., warrants every product it sells. If one of our tools needs service or repair, one of our Authorized Service Centers located throughout the United States can give you quick service. In most cases, any of these Walter Meier Authorized Service Centers can authorize warranty repair, assist you in obtaining parts, or perform routine maintenance and major repair on your JET® tools. For the name of an Authorized Service Center in your area call 1-800-274-6848.

MORE INFORMATION

Walter Meier is consistently adding new products to the line. For complete, up-to-date product information, check with your local Walter Meier distributor, or visit waltermeier.com.

WARRANTY

JET products carry a limited warranty which varies in duration based upon the product (MW = Metalworking, WW = Woodworking).

90 DAY WARRANTY	1 YEAR WARRANTY	Body Repair Kits Bottle Jacks Cable Pullers Cold Saws Hoists-Air Hoists-Electric Metal forming Mill/Drills Milling Machines MW Bandsaws MW Drill Presses MW Finishing Equipment MW Lathes MW Precision Vises	2 YEAR WARRANTY	Palet Trucks Rigging Equip. Service Jacks Stackers Surface Grinders Tapping Trolleys-Air Trolleys-Electric Web Slings Winches-Electric	3 YEAR WARRANTY	WW Benchtop Tools	Beam Clamps Chain Hoist- Manual Lever Hoists Pullers-JCH Models Scissor Lift Tables Screw Jacks Trolleys-Geared Trolleys-Plain Winches-Manual WW Air Filtration WW Bandsaws WW Buffers	5 YEAR WARRANTY	WW Drill Presses WW Dust Collectors WW Dust Filters WW Dust Fittings WW Jointers WW Lathes WW Planers WW Sanders WW Shapers WW Tablesaws	LIFE LIFETIME WARRANTY	Fastening Tools Mechanics Hand Tools Striking Tools Vises (no -precision) Clamps
<small>Warranty reverts to 1 Year Warranty if woodworking (WW) products listed above are used for industrial or educational purposes.</small>											

WHAT IS COVERED?

This warranty covers any defects in workmanship or materials subject to the exceptions stated below. Cutting tools, abrasives and other consumables are excluded from warranty coverage.

WHO IS COVERED?

This warranty covers only the initial purchaser of the product.

WHAT IS THE PERIOD OF COVERAGE?

The general JET warranty lasts for the time period specified in the product literature of each product.

WHAT IS NOT COVERED?

Five Year Warranties do not cover woodworking (WW) products used for commercial, industrial or educational purposes. Woodworking products with Five Year Warranties that are used for commercial, industrial or education purposes revert to a One Year Warranty. This warranty does not cover defects due directly or indirectly to misuse, abuse, negligence or accidents, normal wear-and-tear, improper repair or alterations, or lack of maintenance.

HOW TO GET SERVICE

The product or part must be returned for examination, postage prepaid, to a location designated by us. For the name of the location nearest you, please call 1-800-274-6848.

You must provide proof of initial purchase date and an explanation of the complaint must accompany the merchandise. If our inspection discloses a defect, we will repair or replace the product, or refund the purchase price, at our option. We will return the repaired product or replacement at our expense unless it is determined by us that there is no defect, or that the defect resulted from causes not within the scope of our warranty in which case we will, at your direction, dispose of or return the product. In the event you choose to have the product returned, you will be responsible for the shipping and handling costs of the return.

HOW STATE LAW APPLIES

This warranty gives you specific legal rights; you may also have other rights which vary from state to state.

LIMITATIONS ON THIS WARRANTY

WALTER MEIER (MANUFACTURING) INC., LIMITS ALL IMPLIED WARRANTIES TO THE PERIOD OF THE LIMITED WARRANTY FOR EACH PRODUCT. EXCEPT AS STATED HEREIN, ANY IMPLIED WARRANTIES OR MERCHANTABILITY AND FITNESS ARE EXCLUDED. SOME STATES DO NOT ALLOW LIMITATIONS ON HOW LONG THE IMPLIED WARRANTY LASTS, SO THE ABOVE LIMITATION MAY NOT APPLY TO YOU.

WALTER MEIER SHALL IN NO EVENT BE LIABLE FOR DEATH, INJURIES TO PERSONS OR PROPERTY, OR FOR INCIDENTAL, CONTINGENT, SPECIAL, OR CONSEQUENTIAL DAMAGES ARISING FROM THE USE OF OUR PRODUCTS. SOME STATES DO NOT ALLOW THE EXCLUSION OR LIMITATION OF INCIDENTAL OR CONSEQUENTIAL DAMAGES, SO THE ABOVE LIMITATION OR EXCLUSION MAY NOT APPLY TO YOU.

Walter Meier sells through distributors only. The specifications in Walter Meier catalogs are given as general information and are not binding. Members of Walter Meier reserve the right to effect at any time, without prior notice, those alterations to parts, fittings, and accessory equipment which they may deem necessary for any reason whatsoever. JET® branded products are not sold in Canada by Walter Meier.

Table of Contents

Warranty and Service	2
Table of Contents	3
Warnings	4
Introduction.....	5
Specifications	5
Arbor Press Features	6
Set-up and Operation.....	6
Changing Ram Position	6
Maintenance.....	6
Parts Lists.....	7
Exploded View.....	8

The specifications in this manual are given as general information and are not binding. Walter Meier (Manufacturing) Inc., reserves the right to effect, at any time and without prior notice, changes or alterations to parts, fittings, and accessory equipment deemed necessary for any reason whatsoever.



Warnings

1. Read and understand the entire owners' manual before attempting assembly or operation.
2. Read and understand the warnings posted on the machine and in this manual. Failure to comply with all of these warnings may cause serious injury.
3. Replace the warning labels if they become obscured or removed.
4. This arbor press is designed and intended for use by properly trained and experienced personnel only. If you are not familiar with the proper and safe operation of an arbor press, do not use until proper training and knowledge have been obtained.
5. Do not use this arbor press for other than its intended use. If used for other purposes, Walter Meier (Manufacturing) Inc., disclaims any real or implied warranty and holds itself harmless from any injury that may result from that use.
6. Always wear approved safety glasses/face shields while using this arbor press. Everyday eyeglasses only have impact resistant lenses; they are not safety glasses.
7. Do not operate this arbor press while tired or under the influence of drugs, alcohol or any medication.
8. Make sure this arbor press is firmly secured to the floor or bench before use.
9. Check damaged parts. Before further use of the arbor press, a part that is damaged should be carefully checked to determine that it will operate properly and perform its intended function. Check for alignment of moving parts, binding of moving parts, breakage of parts, mounting and any other conditions that may affect its operation. A guard or other part that is damaged should be properly repaired or replaced.
10. Provide for adequate space surrounding work area and non-glare, overhead lighting.
11. Keep the floor around the arbor press clean and free of scrap material, oil and grease.
12. Keep visitors a safe distance from the work area. **Keep children away.**
13. Make your workshop child proof with padlocks, master switches or by removing starter keys.
14. Give your work undivided attention. Looking around, carrying on a conversation and "horse-play" are careless acts that can result in serious injury.
15. Maintain a balanced stance at all times so that you do not fall into the arbor press. Do not overreach or use excessive force to perform any machine operation.
16. Use recommended accessories; improper accessories may be hazardous.
17. Make sure the work piece is securely attached or clamped to the table.
18. Remove loose items and unnecessary work pieces from the area before starting the machine.
19. Do not overload the arbor press by using extension (cheater) bars.
20. Use steel collars to support parts when pressing on bearings to prevent damage to the bearings.

Familiarize yourself with the following safety notices used in this manual:

CAUTION This means that if precautions are not heeded, it may result in minor injury and/or possible machine damage.

WARNING This means that if precautions are not heeded, it may result in serious injury or possibly even death.

Introduction

The arbor press is designed for riveting, swaging, bending, punching, and flattening. The arbor press can be used to press on or remove close-fitting bearings and bushings. It is suited for the production environment as well as machine shops, automobile repair shops, and home workshops.

The anvil has four slots that are available for a variety of pressing operations.

Specifications

Stock#	333605	333610	333620	333630	333650
Model#	AP0-M	AP1-M	AP2-M	AP3-M	AP5-M
Capacity	½ Ton	1 Ton	2 Ton	3 Ton	5Ton
Dimensions:					
Length	9"	11"	16"	18-1/8"	26-1/8"
Width	5-1/2"	7-1/2"	9-1/2"	11"	12-3/4"
Height	11"	8-3/4"	17-1/8"	20-1/2"	34-5/8"
Max Working Height	4-3/4"	5-7/8"	9"	12-1/2"	18-1/6"
Swing	6-5/8"	8"	11-3/8"	10-3/4"	17"
Anvil Diameter	4"	5"	7-3/8"	11-3/8"	18"
Ram Dimension	3/4" Sq.	1" Sq.	1" Sq.	1" Sq.	2" Sq.
Net Weight	16-1/2 lbs.	24-1/4 lbs.	64 lbs.	105 lbs.	248 lbs.

The above specifications were current at the time this manual was published, but because of our policy of continuous improvement, Walter Meier (Manufacturing) Inc., reserves the right to change specifications at any time and without prior notice, without incurring obligations.

⚠WARNING Read and understand the entire contents of this manual before attempting assembly or operation! Failure to comply may cause serious injury!

Arbor Press Features

The arbor press (see Exploded view on page 8) consists of a cast iron base, an anvil, a pressing handle with lock knob, and a rack-type ram.

The removable anvil has four cutouts that can be used for pressing off or pressing on bearings or bushings of various sizes.

Set-up and Operation

Note: The item numbers provided in the procedures that follow correspond with the item numbers in the exploded view in the Replacement Parts section, see page 8.

⚠WARNING Do not use the arbor press without first securing the arbor press to the workbench and anchoring the workbench to the floor.

Mount the arbor press to the workbench or stand and secure with bolts using the holes in the base (1). Also, secure the workbench or stand to the floor.

Changing Ram Position

The ram has a flat surface on one end and a hole on the other end. The hole is used to accept the punch inserts. Change-out the ram as follows:

- A. Remove the handle by loosening the knob (17). Then remove one cap (5) from the handle assembly. Remove handle (6) from the pinion (16).
- B. Remove the pinion retainer (14) by backing off the Set Screw (13). Now slide the pinion retainer (14) off of the pinion (16).
- C. Pull up on the ram (4) enough to provide slack to remove the pinion (16) from the arbor press.
- D. Pull the ram (4) out the top of the arbor press body. Turn the ram (4) end-for-end.

Hint: if ram does not freely come out of arbor press body loosening the two hex nuts (11) on side of arbor press body and the two hex nuts (11) on the front plate (12).

- E. Repeat steps A – D in reverse.

Maintenance

- A. Periodically lubricate the arbor press with a light machine oil.
- B. Wipe off or vacuum the accumulated debris and dust after using the arbor press.
- C. Periodically check the ram for side-to-side and front-to-back play. If the play is excessive, loosen the hex nuts (11) and adjust (tighten) the screws (10 on side, 9 in front) just enough to eliminate the excess play. Tighten them equally to assure even contact with the ram (4).
- D. Once the play is eliminated, hold the screw (10 or 9) in position and tighten the hex nut (11). Check to make sure the amount of play is acceptable.

Parts Lists

Model AP0-M – 1/2-ton Arbor Press

Index	Part No.	Description	Qty
1	AP0-01	Base	1
2	AP0-06	Anvil	1
3	AP0-16	Spring Pin 6x16	1
4	AP0-02	Ram	1
5	AP0-5-1	Cap	2
6	AP0-6-1	Handle	1
7	TS-1482051	Bolt, Hex M6x25	4
8	TS-1550041	Washer M6	4
9	TS-1482051	Bolt, Hex M6x25	2
10	TS-1482061	Bolt, Hex M6x30	2
11	TS-1540041	Nut, Hex M6	4
12	AP0-12	Plate	1
13	TS-1523011	SHSS M6x6	1
14	AP0-10	Pinion Retainer	1
15	TS-1482021	Bolt, Hex M6x12	1
16	AP0-03	Pinion	1
17	AP0-05	Knob	1
18	TS-2361061	Lock Washer M6	4
	AP0-19	ID Label (not shown)	1

Model AP1-M – 1-ton Arbor Press

Index	Part No.	Description	Qty
1	AP1-01	Base	1
2	AP1-06	Anvil	1
3	AP0-16	Spring Pin 6x16	1
4	AP1-02	Ram	1
5	AP1-5-1	Cap	2
6	AP1-6-1	Handle	1
7	TS-1482051	Bolt, Hex M6x25	4
8	TS-1550041	Washer M6	4
9	TS-1482051	Bolt, Hex M6x25	2
10	TS-1482061	Bolt, Hex M6x30	2
11	TS-1540041	Nut, Hex M6	4
12	AP1-12	Plate	1
13	TS-1523011	SHSS M6x6	1
14	AP1-10	Pinion Retainer	1
15	TS-1482021	Bolt, Hex M6x12	1
16	AP1-03	Pinion	1
17	AP1-05	Knob	1
18	TS-2361061	Lock Washer M6	4
	AP1-19	ID Label (not shown)	1

Model AP2-M – 2-ton Arbor Press

Index	Part No.	Description	Qty
1	AP2-01	Base	1
2	AP2-06	Anvil	1
3	AP2-16	Spring Pin 6x25	1
4	AP2-02	Ram	1
5	AP2-5-1	Cap	2
6	AP2-6-1	Handle	1
7	TS-1490051	Bolt, Hex M8x30	4
8	TS-1550061	Washer M8	4

9	TS-1490051	Bolt, Hex M8x30	2
10	TS-1490051	Bolt, Hex M8x30	2
11	TS-1540061	Nut, Hex M8	4
12	AP2-12	Plate	1
13	TS-1523011	SHSS M6x6	1
14	AP2-10	Pinion Retainer	1
15	TS-1490021	Bolt, Hex M8x16	1
16	AP2-03	Pinion	1
17	AP2-05	Knob	1
18	TS-2361081	Lock Washer M8	4
	AP2-19	ID Label (not shown)	1

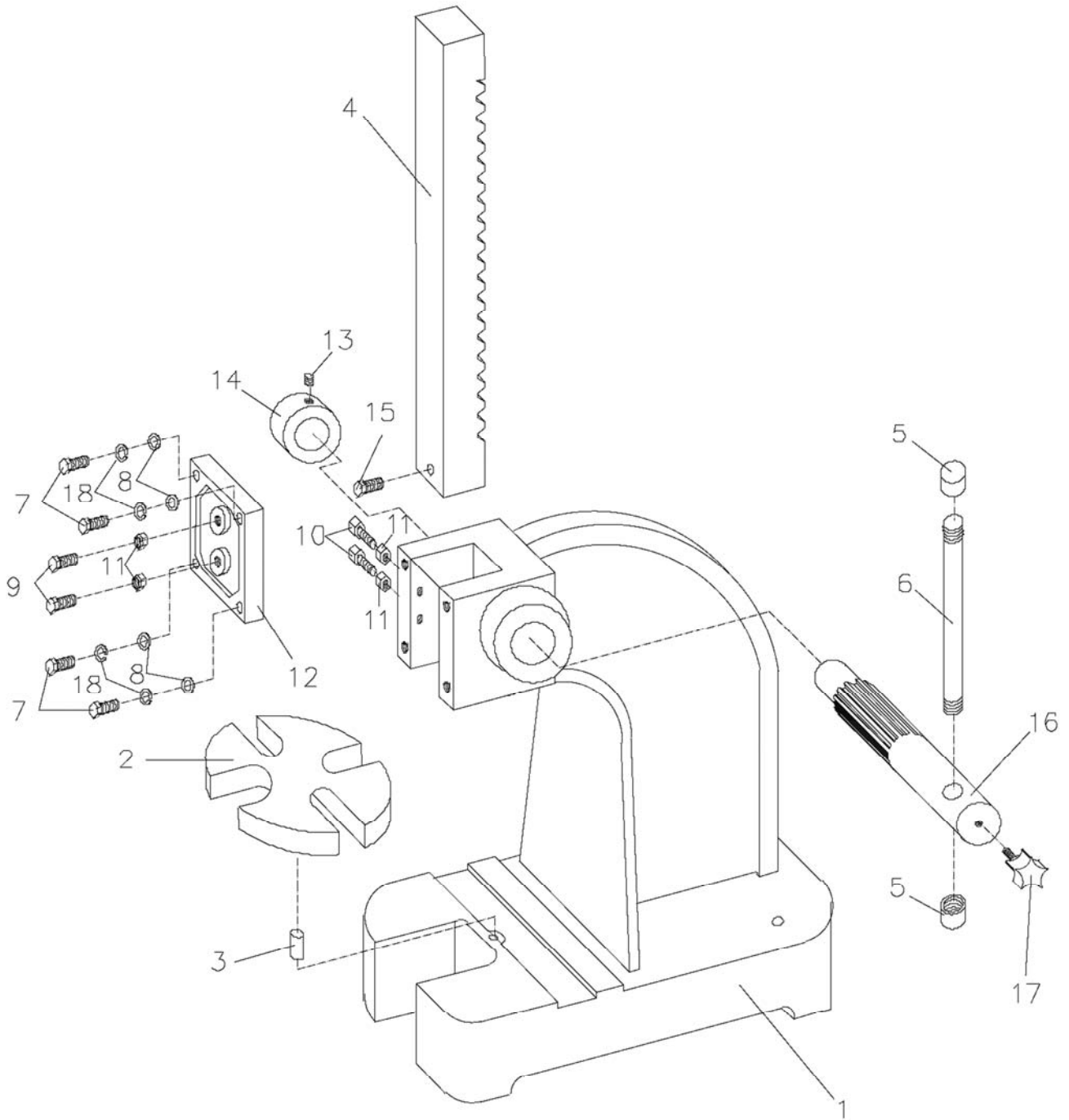
Model AP3-M – 3-ton Arbor Press

Index	Part No.	Description	Qty
1	AP3-01	Base	1
2	AP3-06	Anvil	1
3	AP2-16	Spring Pin 6x25	1
4	AP3-02	Ram	1
5	AP3-5-1	Cap	2
6	AP3-6-1	Handle	1
7	TS-1490051	Bolt, Hex M8x30	4
8	TS-1550061	Washer M8	4
9	TS-1490051	Bolt, Hex M8x30	2
10	TS-1490051	Bolt, Hex M8x30	2
11	TS-1540061	Nut, Hex M8	4
12	AP3-12	Plate	1
13	TS-1524011	SHSS M8x8	1
14	AP3-10	Pinion Retainer	1
15	TS-1490031	Bolt, Hex M8x20	1
16	AP3-03	Pinion	1
17	AP3-05	Knob	1
18	TS-2361081	Lock Washer M8	4
	AP3-19	ID Label (not shown)	1

Model AP5-M – 5-ton Arbor Press

Index	Part No.	Description	Qty
1	AP5-01	Base	1
2	AP5-06	Anvil	1
3	AP5-16	Spring Pin 6x24	1
4	AP5-02	Ram	1
5	AP5-5-1	Cap	2
6	AP5-6-1	Handle	1
7	TS-1491061	Bolt, Hex M10x40	4
8	TS-1550071	Washer M10	4
9	TS-1491061	Bolt, Hex M10x40	2
10	TS-2210501	Bolt, Hex M10x50	2
11	TS-1540071	Nut, Hex M10	4
12	AP5-12	Plate	1
13	TS-1524031	SHSS M8x12	1
14	AP5-10	Pinion Retainer	1
16	AP5-03	Pinion	1
18	TS-2361101	Lock Washer M10	4
	AP5-19	ID Label (not shown)	1

Exploded View



JET

WALTER MEIER (Manufacturing) Inc.
427 New Sanford Road
LaVergne, Tennessee 37086
Ph: 800-274-6848
www.waltermeier.com