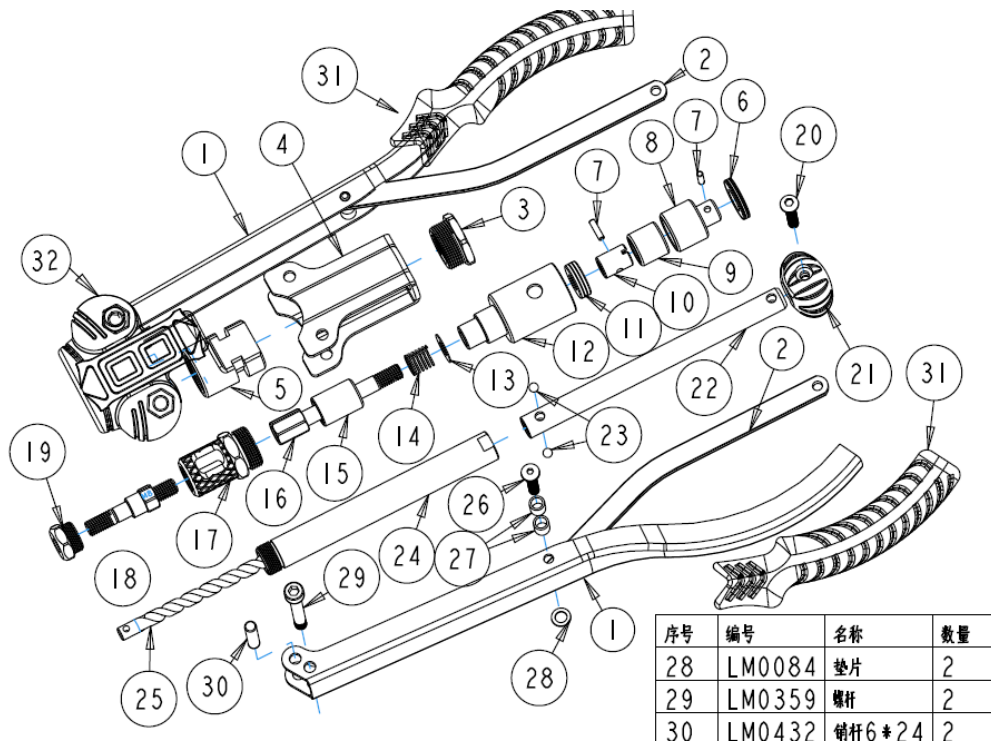


2746C-HD Parts List



| 序号 | 编号 | 名称 | 数量 |
|----|--------|--------|----|
| 28 | LM0084 | 垫片 | 2 |
| 29 | LM0359 | 螺杆 | 2 |
| 30 | LM0432 | 销杆6*24 | 2 |

| no. | ite m | DES |
|-----|----------|-----------------------------|
| 1 | LM0449 | handle |
| 2 | LM0402 | cranked lever |
| 3 | LM0448 | dpuble thread nut |
| 4 | LM0437 | U type |
| 5 | LM0426 | Sliding seat |
| 6 | LM0421 | pressure bearing |
| 7 | LM0389 | pin rod 3*11.5 |
| 8 | LM0122 | unilateral bearing type |
| 9 | LM0360 | unilateral bearing |
| 10 | LM0159 | nut |
| 11 | LM0143 | pressure bearing |
| 12 | LM0446 | fixing type |
| 13 | LM0401 | spacer |
| 14 | LM0100 | spring |
| 15 | LM0357 | fixing sleeve |
| 16 | LM0447 | pull rod |
| 17 | LM0358-1 | sleeve |
| 18 | LM0263 | mandrel M8 |
| 19 | LM0264 | nosepiece |
| 20 | LM0413 | M5*28 Hexagon rounq head ut |
| 21 | LM0405 | latern knob |
| 22 | LM0250 | push sleeve |
| 23 | LM0058 | steel ball |
| 24 | LM0096 | sleeve |
| 25 | LM0036 | twist tod |
| 26 | LM0463 | M5*25 Hexagon rounq head ut |
| 27 | LM0061 | PVC sleeve |
| 28 | LM0084 | spacer |
| 29 | LM0359 | mandrel |
| 30 | LM0432 | pin rod 6*24 |
| 31 | LM0215 | PVC handle sleeve |
| 32 | LM0631 | PVC body |