

DIN 904L

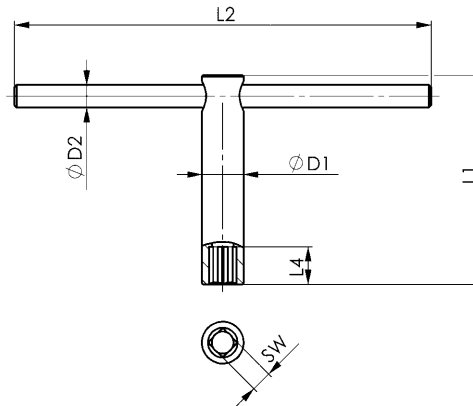
Square socket spanner

long version. Special steel, body and tommy bar hardened and **blued**. Tommy bar pressed in.

EA613AM-5
EA613AM-6
EA613AM-8
EA613AM-9
EA613AM-10
EA613AM-12
EA613AM-13
EA613AM-14

Order no.	SW	D1	D2	L1	L2	L4	Weight [g]
41848	5	12	6,0	120	160	11	100
41855	6	12	6,0	160	160	12	110
41863	8	16	9,0	160	180	15	210
41871	9	18	9,0	200	200	18	390
41889	10	20	11,0	200	200	18	390
41897	12	24	12,0	200	250	21	600
41905	13	24	12,0	200	250	22	600
41913	14	28	14,6	200	320	24	795
41921	17*	34	16,0	250	400	28	1500
41939	19*	36	16,0	320	400	30	1700

* Contrary to DIN, shaft is not bored.



Recommendations



No. 714T-6D,
page 66

Subject to technical alterations.