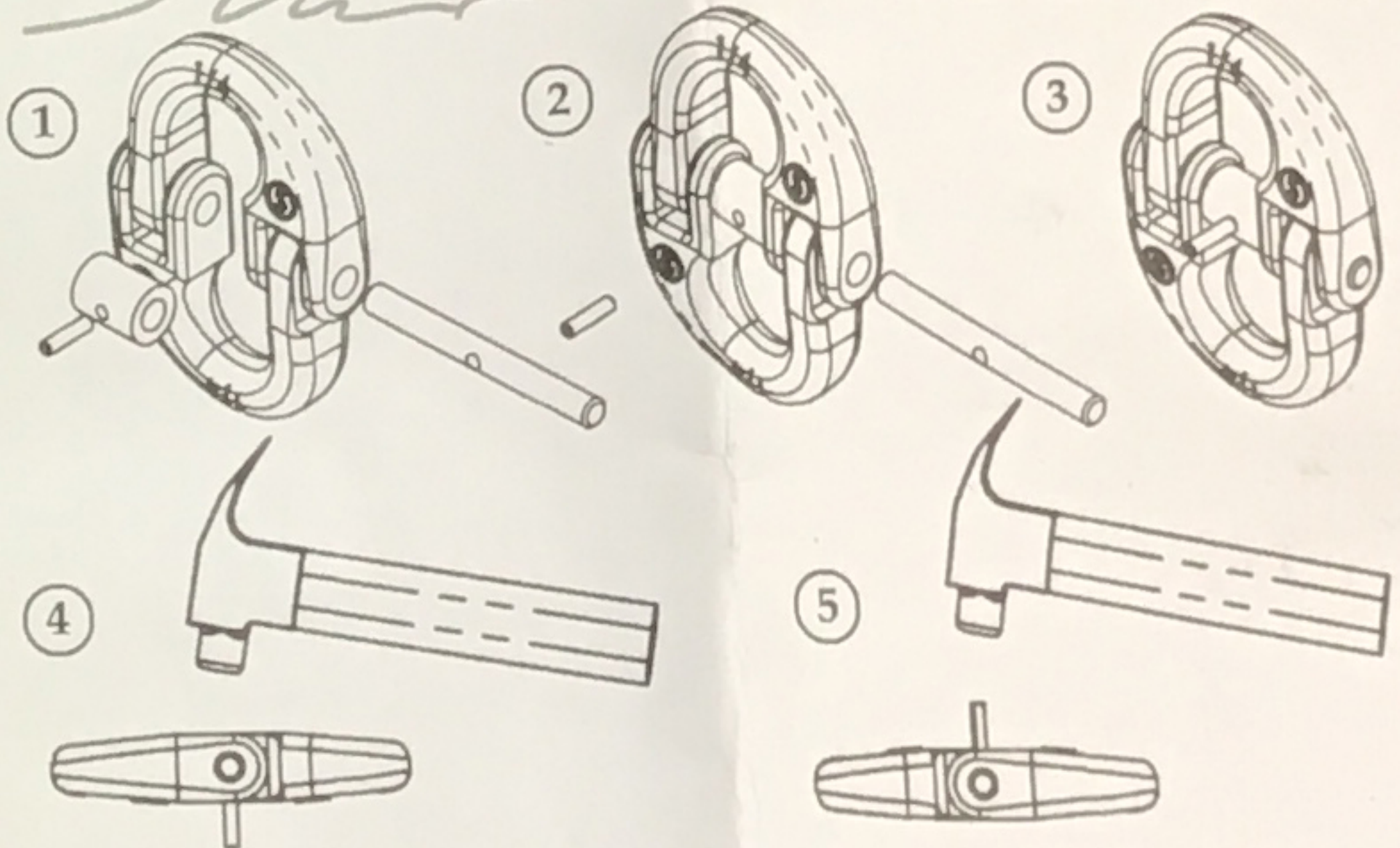


HAMMER LOCK INSTRUCTIONS



Align hole and drive
from back side to start pin

Drive pin in fully after starting

*****DO NOT REUSE PINS**