

## DM509S/DM1009S/PDM509S

### INSULATION RESISTANCE TESTER INSTRUCTION MANUAL

SANWA ELECTRIC INSTRUMENT CO., LTD.

Dempa Bldg., 4-4 Sotokanda 2-Chome  
Chiyoda-ku, Tokyo, Japan



03-1911 2040 2040

#### [1] Read First: Safety Information

We thank you for your purchasing our product, the battery-driven insulation resistance tester.

This is a DC resistance tester developed under the principle to provide new and unique design and function for the measurement of insulation resistance of each kind of electric equipments. Since this tester generates high voltage, we recommend that you read this instruction manual thoroughly, and treat the tester correctly and safely.

The symbols used on this tester and in this instruction manual denote the following meanings:

- ⚠ Be careful as the high voltage is impressed.
- ⚠ Be careful because there is a possibility of bodily injury or the destruction of equipment.

#### ⚠ WARNING

1. To ensure that the meter is used safely, follow all safety and operating instructions.
1. Never use tester for high power or high voltage circuit.
2. Pay special attention when measuring the voltage of AC 33 Vrms (46.7 V Peak) or DC 70 V or more to avoid injury.
3. Disconnect power source of the measured circuit before measuring insulation resistance.
4. High voltage is generated while measuring insulation resistance. Be cautions of electric shock.
5. After measuring insulation to avoid electric shock. Be sure to discharge the high voltage charged.
6. Never apply an input signal exceeding the maximum rating input value.
7. Never use tester for measuring the line connected with equipment (i.e. motors) that generates induced or surge voltage since it may exceed the maximum allowable voltage.
8. Never use tester if the tester or test leads are damaged or broken.
9. Never use uncased tester.
10. Always keep your fingers behind the Barriers on the probe when making measurements.
11. Be sure to disconnect the test pin from the circuit when changing the function.
12. Never use tester with wet hands or in a damp environment.

- 1 -

13. Use test leads matching the measurement category of the object measured. If the measurement categories of the instrument and test leads were different, the lowest measurement category would be applied.
14. When handling equipment containing a hazardous live part, be sure to wear insulative protection gear to prevent accidents. Also be sure to observe your local and national safety regulations.
15. Do not attempt any alterations of original specifications.
16. To ensure safety and maintain accuracy, calibrate and check the tester at least once a year.
17. Indoor use.
18. Do not use the instrument in a place where corrosive or explosive gas is produced.
19. To prevent the protection function of the tester from being spoiled, do not use it in a method other than specified.

#### ⚠ CAUTION

Remove components such as semi-conductors and apparatuses from the circuit of measuring object to avoid damages when withstand of the object is unknown or lower than rated measuring voltage of a resistance insulation tester, especially in case of the objects you measure connected with PCs or computers.

#### Maximum Overload Protection Input

Function (Range)	Maximum rating input value	Maximum overload protection input
ACV (600)	AC 600 V	AC 720 V
DCV (60)	DC 60 V	AC 600 V

#### [2] Applications and Features

##### 2.1 Applications

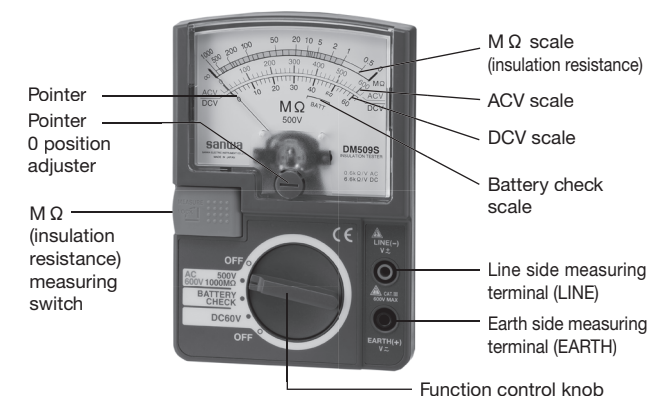
- DC insulation resistance tester to measure the insulation resistance of electric lines and electric equipment.

##### 2.2 Features

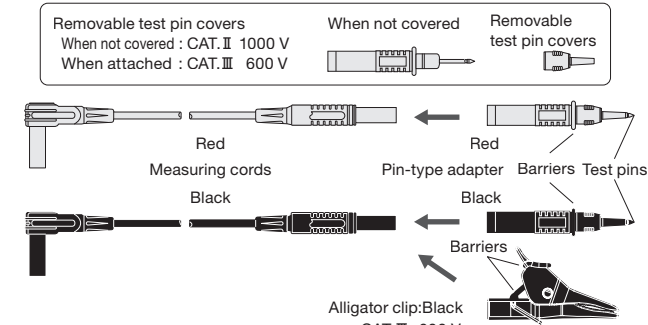
- The measured voltage is maintained until the low insulation resistance value at the rated current specified in IEC61557-2.
- It is equipped with the discharge function.
- It is equipped with the M Ω (insulation resistance) measuring switch that enables both one-shot and continuous measurement.

- 2 -

#### [3] Front View and Name of Each Part



#### Test Lead(TL-509S)



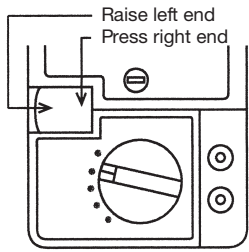
- 3 -

#### [4] Description of Functions

- Function control knob and M Ω (insulation resistance) measuring switch by operating these two switches, the functions and ranges can be set as shown below.

Position of Function Control Knob	M Ω Measuring Switch (*)	Set Range (Function)
DM509S	500 V/1000 M Ω	AC 600 V OFF AC 600 V range
DM1009S	1000 V/2000 M Ω	
PDM509S	500 V/100 M Ω	
DM509S	500 V/1000 M Ω	AC 600 V ON
DM1009S	1000 V/2000 M Ω	
PDM509S	500 V/100 M Ω	
BATTERY CHECK DC 60 V	ON	BATTERY CHECK
	OFF	DC 60 V

- \* The M Ω measuring switch is turned on by the following operation.
  - ① ON only when the right end of the lever is pressed with a finger. (OFF when the finger is released)
  - ② Continuously ON when the left end of the lever is raised. (OFF when it is laid down)



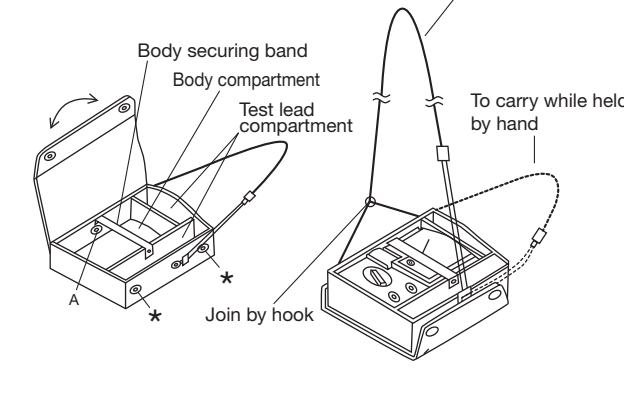
- Meter zero position adjustment  
If the meter pointer is not on the ∞ graduation line of the M Ω scale when the function control knob is at OFF, adjust the zero position with a screwdriver.

- 4 -

#### How To Use Carrying Case

During measurement, set the case as illustrated and hang it from the neck.

- Lid turns in pivot direction at the A.
- Lay it along the bottom of the box and secure it by hooks marked by \*



#### [5] Measuring Method

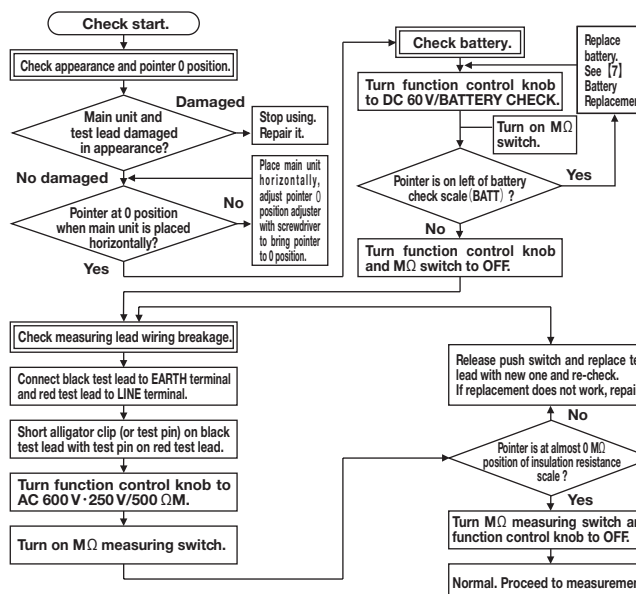
##### 5.1 Start-up Check

#### ⚠ WARNING

1. Do not use a damaged tester or test lead.
2. Make sure test lead wiring is not broken.
3. When testing the continuity of a test lead, the measuring terminals are under a high voltage. Be careful of electric shock.
4. To prevent electric shock and battery consumption, be sure to turn the M Ω measuring switch and function control knob to OFF after measurement.

- 5 -

Before starting measurement, check the "appearance", "pointer 0 position" (\*), "battery" and "measuring lead" in this order. (\*The pointer 0 position is the 0 position of the DC 60 V scale or ∞ position of the M Ω scale.)



##### 5.2 How to Check Battery (BATTERY CHECK)

Prior to M Ω (insulation resistance) measurement, be sure to check the battery. A consumed battery will cause not only measurement errors but danger due to erroneous measurement. For checking methods, refer to 5.1 Start-up Check.

⚠ Do not check the battery for more than 5 seconds.

- 6 -

##### 5.4 Discharge Function

1. Reason of a need to discharge  
For safety, high voltage remaining in capacitive measuring objects such as capacitors and electric wire must be discharged to prevent accidents.
2. Discharging method (This procedure follows the step ⑧ of 5.3-4)
  - ① When the M Ω measurement has been completed, turn off only the M Ω measuring switch with the test pin and the alligator clip connected to the measuring object.
  - ② Then the pointer deflects to the right and its deflection becomes smaller as time passes (indicating the charged charge is being discharged).
  - ③ When the pointer stops at zero (∞ of the M Ω scale) and discharge has been completed, conduct the steps ⑩ and ⑪ of 5.3-4

##### 5.5 Measurement of DCV (DC Voltage) (Measuring range is the DV 60 V range only)

#### ⚠ WARNING

1. Do not apply a voltage exceeding the maximum rated voltage of 60 VDC.
2. Keep in mind the warnings of 5.6 described earlier.

- 1) Measuring object  
DC voltages of batteries, etc. can be measured. Also, the tester can be used to check the presence of DC voltage prior to M Ω measurement.
- 2) Measuring method
  - ① Insert the black measuring cord to which the black alligator clip (or black pin-type adapter) is attached into the EARTH (ground) measuring terminal, and the red measuring cord to which the red pin-type adapter is attached into the LINE measuring terminal.
  - ② Turn the function control knob to DC 60 V.
  - ③ Connect the black alligator clip to the - side of the object (circuit) measured, and connect the tip of the red pin-type adapter to the + side.
  - ④ Read the indicated value on the DCV scale.
  - ⑤ First remove the red test pin from the object measured, and then disconnect the black alligator clip from it.
  - ⑥ Turn the function control knob to the position of OFF.

- 10 -

#### ⚠ REFERENCE

1. The M Ω measurement should be performed as quickly as possible to prevent the internal parts from heating. Particularly, when measuring resistance between 0 M Ω to the center of scale, perform each measurement within 20 seconds and leave an equivalent interval to the measuring time before proceeding to the subsequent measurement.
2. The no-load voltage is within 1.25 times the rated measuring voltage.

- 1) Measuring object  
Measurement of insulation resistance (M Ω) of electric equipment and circuits.
- 2) Rated measuring voltage
 

Model	Rated measuring voltage
DM509S	500 V
DM1009S	1000 V
PDM509S	500 V

- 3) Selection of a measuring range  
Turn the function control knob to (M Ω) / AC 600 V position.
  - 4) Measuring method
    - ① Power off the measuring object.
    - ② Insert the black measuring cord to which the black alligator clip (or black pin-type adapter) is attached into the EARTH (ground) measuring terminal, and the red measuring cord to which the red pin-type adapter is attached into the LINE measuring terminal.
    - ③ Turn the function control knob to a desired rated measuring voltage range.
    - ④ Connect the black alligator clip to the object measured. Usually connect the EARTH (ground) measuring terminal to the grounding side.
    - ⑤ Connect the tip of the red pin-type adapter to the other side of the object measured.
- ⚠ CAUTION: If the meter deflects in this state, the measuring object is charged. Be sure to remove the voltage prior to measurement.

- 8 -

#### [6] After-Sales Service

##### 6-1 Warranty and Provision

Sanwa offers comprehensive warranty services to its end-users and to its product resellers. Under Sanwa's general warranty policy, each instrument is warranted to be free from defects in workmanship or material under normal use for the period of one (1) year from the date of purchase.

This warranty policy is valid within the country of purchase only, and applied only to the product purchased from Sanwa authorized agent or distributor.

Sanwa reserves the right to inspect all warranty claims to determine the extent to which the warranty policy shall apply. This warranty shall not apply to test leads, disposables batteries, or any product or parts, which have been subject to one of the following causes:

1. A failure due to improper handling or use that deviates from the instruction manual.
2. A failure due to inadequate repair or modification by people other than Sanwa service personnel.
3. A failure due to causes not attributable to this product such as fire, flood and other natural disaster.
4. Non-operation due to a discharged battery.
5. A failure or damage due to transportation, relocation or dropping after the purchase.

##### 6-2 Repair

Customers are asked to provide the following information when requesting services:

1. Customer name, address, and contact information
2. Description of problem
3. Description of product configuration
4. Model Number
5. Product Serial Number
6. Proof of Date-of-Purchase
7. Where you purchased the product

- 1) Prior to requesting repair, please check the following:  
Capacity of the battery, polarity of installation and discontinuity of the test leads.

- 2) Repair during the warranty period:  
The failed meter will be repaired in accordance with the conditions stipulated in 6-1 Warranty and Provision.

- 3) Repair after the warranty period has expired:  
In some cases, repair and transportation cost may become higher than the price of the product. Please contact Sanwa authorized agent / service provider in advance.  
The minimum retention period of service functional parts is 6 years after the discontinuation of manufacture. This retention period is the repair warranty period. Please note, however, if such functional parts become unavailable for reasons of discontinuation of manufacture, etc., the retention period may become shorter accordingly.

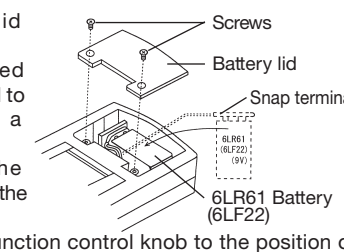
- 4) Precautions when sending the product to be repaired  
To ensure the safety of the product during transportation, place the product in a box that is larger than the product 5 times or more in volume and fill cushion materials fully and then clearly mark "Repair Product Enclosed" on the box surface. The cost of sending and returning the product shall be borne by the customer.

##### 6-3 SANWA web site

http://www.sanwa-meter.co.jp  
E-mail: exp\_sales@sanwa-meter.co.jp

##### [7] Battery Replacement

- ① Remove two battery lid securing screws.
  - ② Replace the consumed battery that is connected to the snap terminal with a new one.
  - ③ Set the battery in the original place and secure the battery lid with screws.
- ⚠ Be sure to turn the function control knob to the position of OFF prior to replacing the battery.
- ⚠ Be sure to use the alkaline battery 6LR61(6LF22) (9V).



- 13 -

#### [8] Specifications

##### 8.1 Measurement Range and Accuracy

Accuracy assurance : 23±5 °C 75 %RH max.  
No condensation  
Attitude: Horizontal ±5°. External magnetic field: Not present.  
Battery voltage: Within the range in which the battery power is effective.

Model	DM509S	DM1009S	PDM509S
M Ω (Insulation Resistance) range	Rated measuring voltage	Large numeral: 1st effective measuring scale	Small numeral: 2nd effective measuring scale
	Measuring value	500 V	1000 V
ACV range	500 V	1000 V	500 V
	0.5-1-500-1000 M Ω	1-2-1000-2000 M Ω	0.05-0.1-100 M Ω
DCV range	0-60 V		
Accuracy	M Ω range	1st effective measurement range : ±5 % of reading	
	DCV range	±5 % of full scale	
Operating instrumental uncertainty	M Ω range	1st effective measurement range : ±10 % of reading	
	DCV range	±0.7 % of scale length	
No load voltage	Rated current	±2.5 % of rated measuring voltage	
	Short circuit current	: 1-1.2 mA	
No load voltage	Rated current	: 1-1.2 mA	
	Short circuit current	: max 2.9 mA	
DCV range	ACV range (50/60 Hz sine wave)	±5 % of full scale	
	DCV range	±5 % of full scale	
Operating instrumental uncertainty	Within ±30 % (Maximum value tolerated by IEC standard)	E1: Attitude. E2: Supply voltage.	
	Temperature-causing factors	E3: Temperature	

\* Factory-preinstalled battery  
A battery for monitoring is preinstalled before shipping, therefore it may run down sooner than the battery life specified in the instruction manual. The "battery for monitoring" is a battery to inspect the functions and specifications of the product.

- 14 -

##### 5.6 Measurement of ACV (AC Voltage) (Measuring range is the AC 600 V range only)

#### ⚠ WARNING

1. Do not apply a voltage exceeding the maximum rated voltage of 600 VAC.
2. During measurement, do not operate the function control knob.
3. Do not measure a voltage with the M Ω measuring switch being pressed or raised.
4. When the circuit to measure has a breaker, measure the voltage on the secondary side (load side).
5. To prevent electric shock, do not touch the metal part of the pin plug and clip.

#### ⚠ CAUTION

AC voltages of waveforms other than sinusoidal waveforms and frequencies other than 50 to 60 Hz will cause an indication error.

- 1) Measuring object  
Sinusoidal AC voltages (ACV) such as lighting line voltages can be measured.
- 2) Measuring method
  - ① Insert the black measuring cord to which the black alligator clip (or black pin-type adapter) is attached into the EARTH (ground) measuring terminal, and the red measuring cord to which the red pin-type adapter is attached into the LINE measuring terminal.
  - ② Turn the function control knob to AC 600 V.
  - ③ Connect the black alligator clip to the earth (grounding) side of the object measured, and connect the tip of the red pin-type adapter to the charging side of the object measured.
  - ④ Read the indicated value on the ACV scale.
  - ⑤ First remove the red test pin from the object measured, and then disconnect the black alligator clip from it.
  - ⑥ Turn the function control knob to the position of OFF.

- 11 -

##### 8.2 General Specifications

AC rectifying method : Half-wave rectification  
(Mean value indication rms value converted)  
Meter specification : Inner-pole type tau-band system, 24 μA (PDM509S:48 μA)  
Battery consumption : Checked by BATTERY CHECK range.  
Allowable temperature/humidity range : 23±5 °C, 75 % RH max., no condensation.  
Service temperature/humidity : 0-43 °C, 80 % RH max., no condensation.  
Storage temperature/humidity : -10-50 °C, 70 % RH max., no condensation.  
Service ambient condition : Altitude 2000 m max., environmental pollution II.  
Power supply : Layer built type alkaline battery 6LR61(6LF22) x 1(9V)  
Max. power consumption : 2.0 W-2.8 W at M Ω range  
Battery life : When the lower limit measurement resistance value that can maintain the rated output voltage is measured and if one cycle for the measurement is defined as ON for 5 seconds and OFF for 25 seconds, the battery life is 500 cycles.

Degree of IP : IP20  
EMC Directive, RoHS Directive : IEC61326 (EMC), EN50581 (RoHS)  
Safety : IEC61010-1, IEC61010-2-030 CAT. III 600 V\*  
IEC61010-2-033, IEC61010-031  
\* Measurement Category III : Line from the primary side or branch of equipment which directly takes in electricity from a distribution board to the receptacle.

Year of manufacture : The first two digits of the serial number on the bottom of this product indicate the last two digits of the year.

Size and Mass : 144(H) x 99 (W) x 43 (D) mm, approx. 310 g  
Accessories : Test lead TL-509S, 1 set  
Instruction manual, 1 Carrying case C-09S, 1

##### [9] Storage

#### ⚠ CAUTION

- The panel and the case are not resistant to volatile solvent and must not be cleaned with thinner or alcohol.
- For cleaning, use dry, soft cloth and wipe it lightly.
- The panel and the case are not resistant to heat. Do not place the instrument near heat-generating devices (such as a soldering iron).
- Do not store the instrument in a place where it may be subjected to vibration or from where it may fall.
- For storing the instrument, avoid hot, cold or humid places or places under direct sunlight or where condensation is anticipated.

- 15 -

- 12 -