

SH. 1
OF 1

CAT NO

683M-2Z

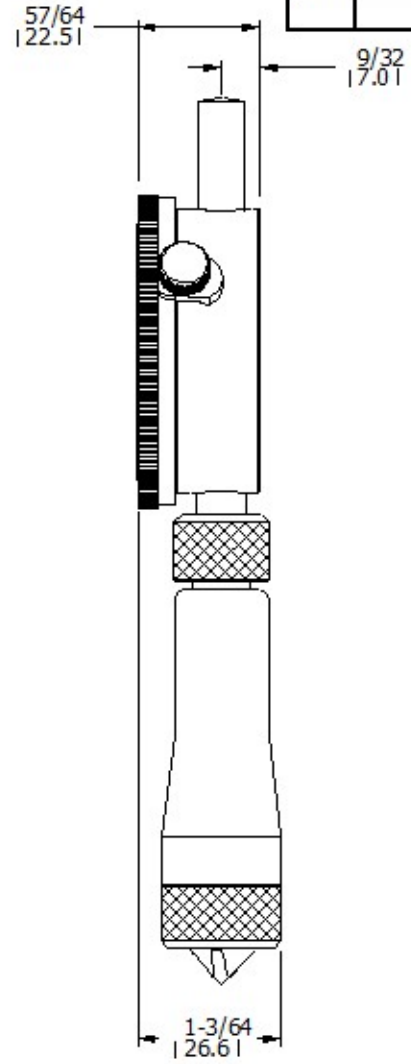
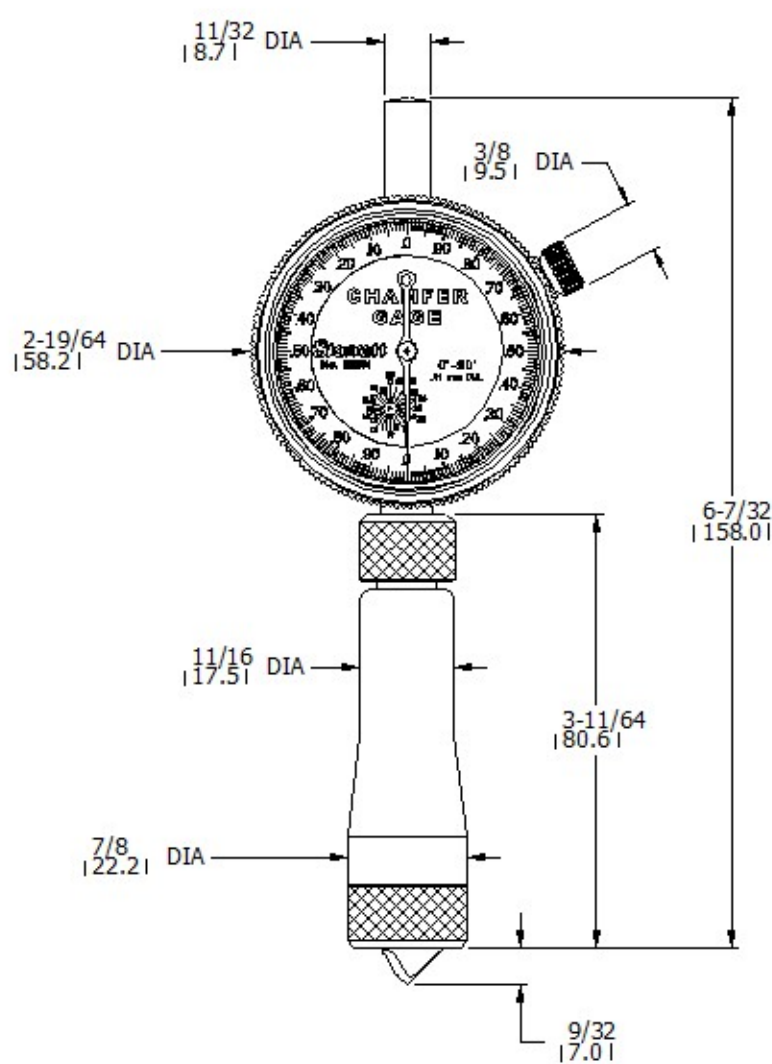
CUSTOMER DIMENSIONS

DO NOT
SEPARATE
PRINT FROM
WORK

LOT NO

OPER

TOOLS



REV	DESCRIPTION	DATE	BY
DR	KPH	CHK	DATE

0-12.7 mm DIA.
0 - 90 I.D.
CHAMFER GAGE

TOLERANCES - UNLESS OTHERWISE SPECIFIED

1 PLACE DEC. or REF. : $\pm .015''$ --- 0.4 mm
2 PLACE DEC. : $\pm .010''$ --- 0.25 mm

3 PLACE DEC. : $\pm .003''$ --- 0.08 mm
4 PLACE DEC. : $\pm .0005''$ --- 0.01 mm

FRACTIONAL: $\pm 1/64''$
ANGULAR: ± 1 DEGREE

THE L. S. STARRETT CO.
ATHOL, MASS.