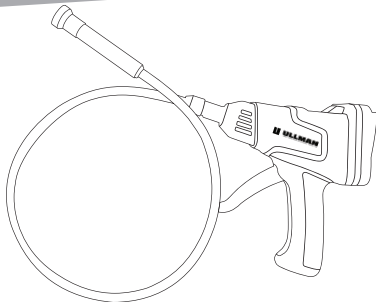


# CAMERA ASSISTED RETRIEVAL TOOL (CART™)



## QUICK USER GUIDE

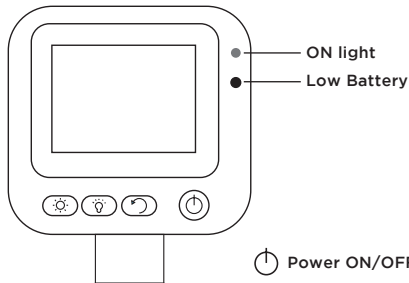
MODEL: E-CART-1


For more information go to [Ullman-Devices.com](http://Ullman-Devices.com).  
Contact: (203) 438-6577  
[info@ullman-devices.com](mailto:info@ullman-devices.com)


Ullman Devices  
29 E. Madison St., Suite 900  
Chicago, IL, 60602


**ULLMAN**<sup>™</sup>

## Button Functionality

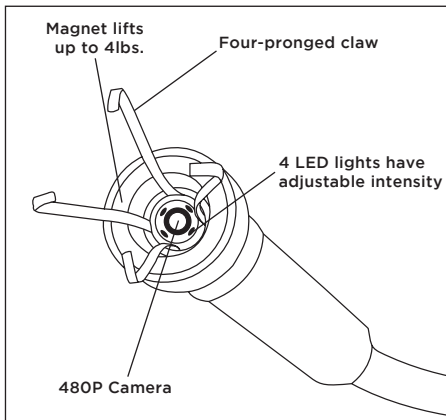


 **Screen Brightness:** LCD display screen brightness can be adjusted to compensate for ambient light.

 **LED Intensity:** The intensity of the lights can be adjusted to 6 different intensity levels.

 **Image Orientation:** The camera viewing can turn in 90° intervals to correct camera orientation.

## Claw Components



Prior to use of this product, please read this guide carefully to avoid any damage caused by operation error or improper use.