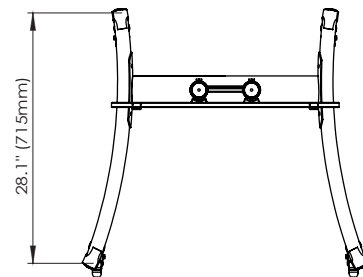
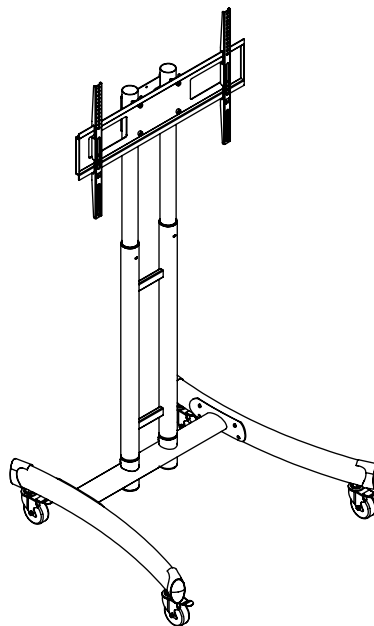
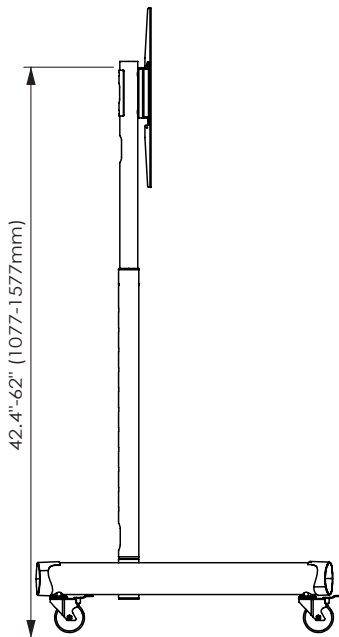
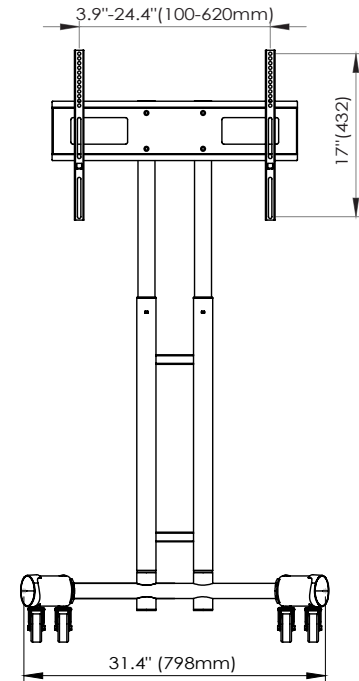


FP1000

Height Adjustable Rolling TV Stand

Product Specifications

| | |
|-------------------------|---|
| Item Number | FP1000 |
| Frame Material | Steel frame with a black powder coat paint finish |
| Overall Dimensions | 31.4" W x 28.1" D x 48.4" to 68" H |
| Base Dimensions | 31.4" W x 28.1" D |
| Height Adjustment Range | 8.4" to 68" H (in 2" increments) |
| TV Size | Fits 32" to 70" screens |
| Vesa Range | 100 x 100 mm to 600 x 400 mm |
| Cable Management | Internally routed |
| Tilt | None |
| Caster | Four 2" full-swivel with locking brakes |
| Weight Capacity | 100 lbs. |
| Ship Method | Ground |
| Assembly Required | Yes |



LUXOR