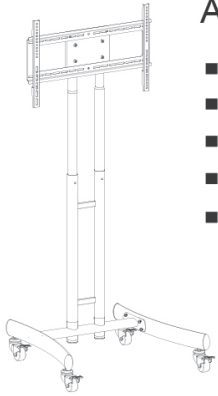


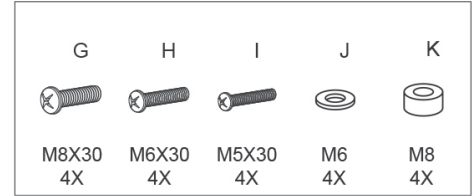
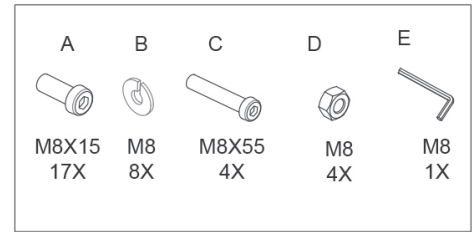
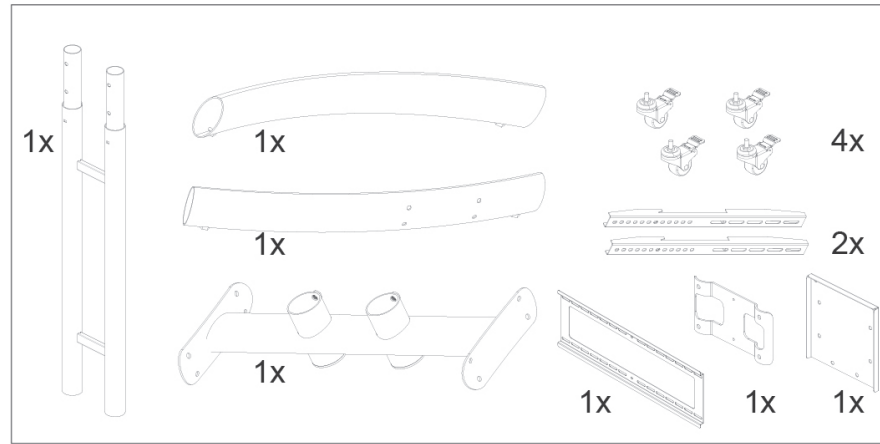
EA764AG-50

Adjustable Height TV Cart

- Height Range: 40.50" - 60.25"
- For TV panels: 32"-70"
- Max VESA: 600x400mm
- Load capacity: 100 lbs.
- Tilt angle: 0°

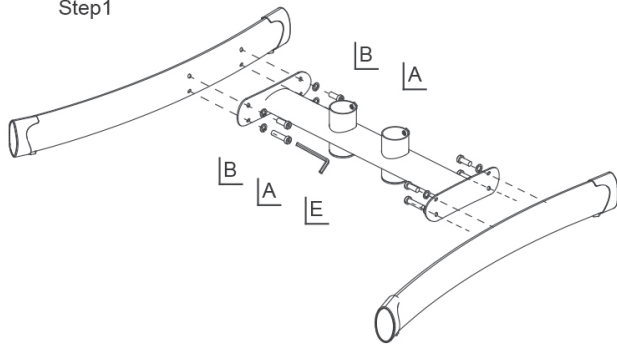


Heavy Lifting:
Assistance
Required



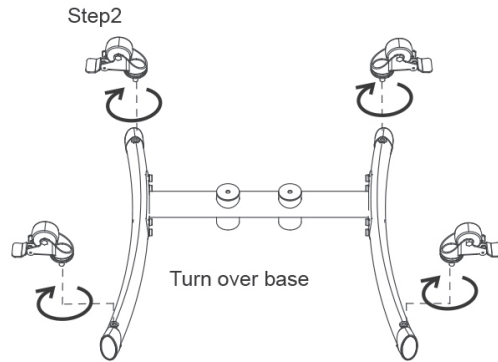
1.1

Step1

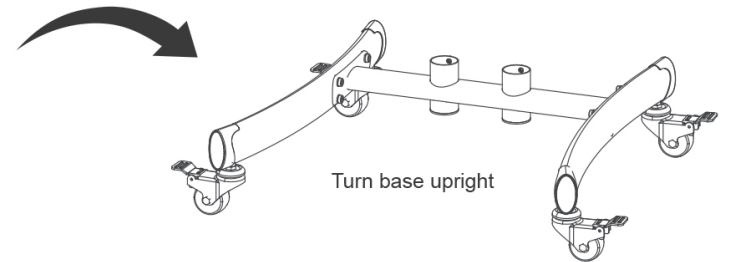


1.2

Step2

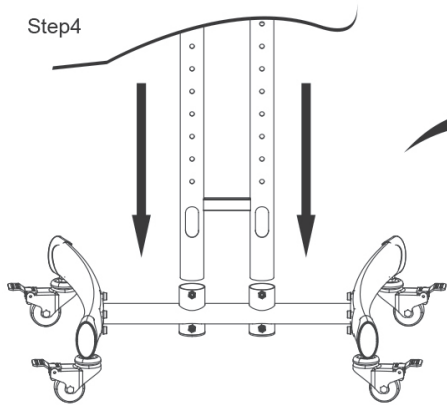


Step3

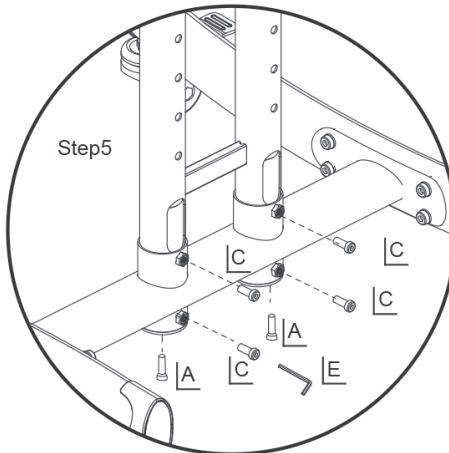


1.3

Step4



Step5

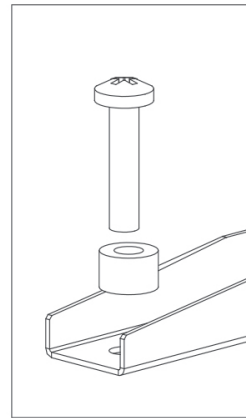
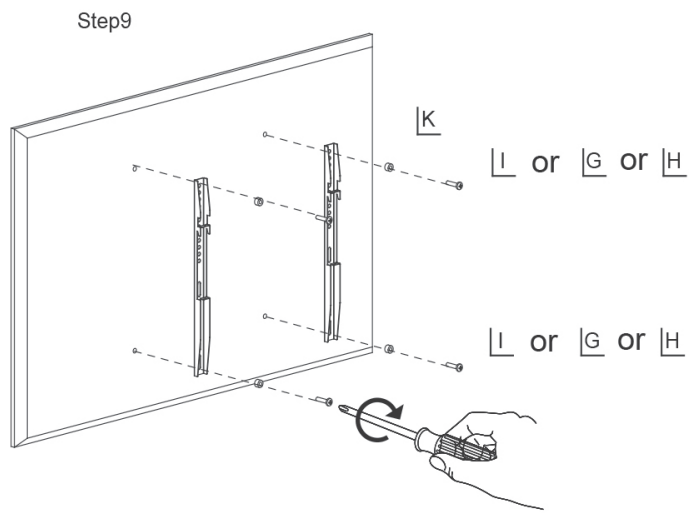


2.

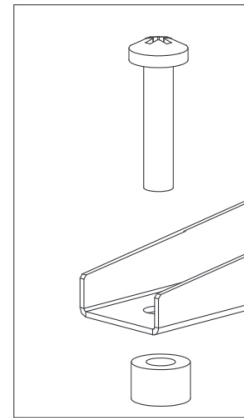
Step6a Use your finger to depress the right upper pole spring plunger ball located in the cable window. Carefully pull the upper pole upward until your desired height is reached. Twist upper pole toward the plunger holes, and engage the spring ball into the plunger hole to set in place. Refer to fig-1.

Step6b Repeat step5 with left pole.

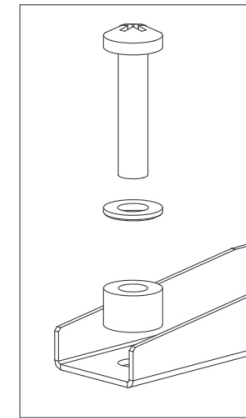
4.



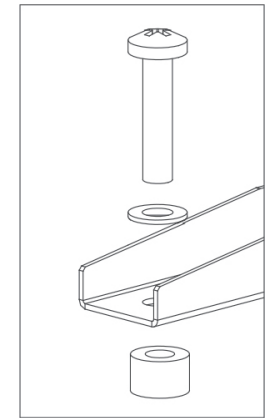
M8X30 (G)



M8X30 (G)



M6X30 (H)
M5X30 (I)



M6X30 (H)
M5X30(I)

5.

