



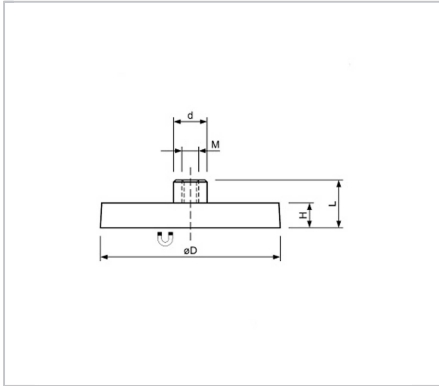
Ferrite Shallow Pot Magnets (with Hook)

- 120 maximum operating temperature
- Excellent resistance to corrosion
- Mild steel pot with red painted body

Pot magnets with hook

The pot magnets with a hook are sometimes called ceiling magnets. The pot magnets with a hook are white painted and are supplied with a detachable threaded hook.

The ferrite pot magnets with a hook have a maximum operating temperature of +100 degrees C. The ferrite pot magnets with a hook are cost effective magnets.



The pot magnets with a hook are widely used for hanging posters, banners and displays in supermarkets, large DIY stores, exhibition areas, car ferries and cruise ships.

Product Number	Height (mm)	Fixing Stud Centres PCD M6	Central Fixing Point	Weight (kg)	Pull Force (kg)		Dia. D (mm)
E895 EA781ED-5	10.7	46mm-3 Holes	M6	0.27	25		66
E896 EA781ED-6	12.5	46mm-3 Holes	M6	0.3	33		76
E897 EA781ED-7	15.5	70mm-3 Holes	M6	0.61	55		100