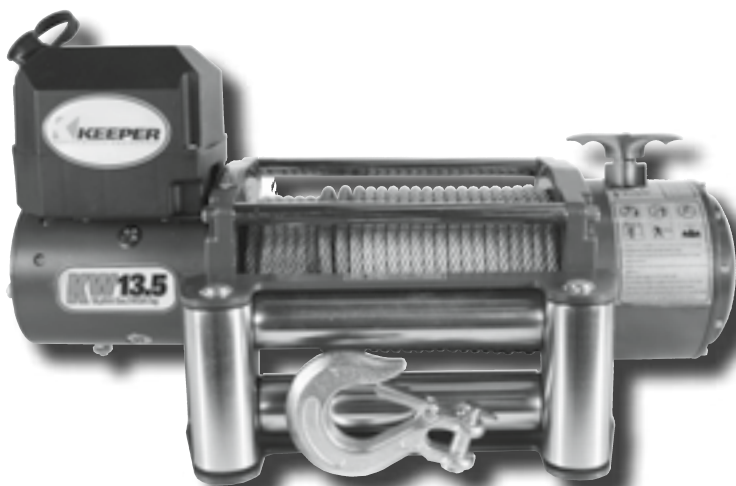


K **KEEPER** PERFORMANCE ENGINEERED™ **WINCHES**



Assembly & Operating Instructions **KW13.5**

13,500 lbs 12V DC Electric Winch



CAUTION!



**READ AND UNDERSTAND THIS MANUAL BEFORE INSTALLATION
AND OPERATION OF THIS PRODUCT.**

**DO NOT RETURN THIS PRODUCT TO SELLER. CALL
KEEPER WINCH AT 800-533-7372 FOR ASSISTANCE**

Hampton Products International Corp.
50 Icon
Foothill Ranch, CA 92610
800-533-7372
www.keeperwinches.com or winches@hamptonproducts.com

999-01009_KW13122_REV E

KW13.5 13,500 lb 12V DC Electric Winch

Designed for Utility Recovery, and General Utility Winching Applications.
THIS PRODUCT IS NOT INTENDED FOR LIFTING/HOISTING

Safety Precautions

⚠ CAUTION ⚠

PLEASE READ ALL SAFETY PRECAUTIONS AND WARNINGS BEFORE INSTALLING AND USING THE WINCH! IF YOU HAVE QUESTIONS PLEASE SEND A MESSAGE VIA WINCHES@HAMPTONPRODUCTS.COM OR CALL 1 800-533-7372

The Danger, Warnings, Cautions, and Instructions discussed in this instruction manual cannot cover all possible conditions and situations that may occur. It must be understood by the operator that common sense and caution are factors which cannot be built into this product, but must be supplied by the operator.

⚠ DANGER ⚠

Indicates an imminently hazardous situation which, if not avoided, will result in death or serious injury.

⚠ WARNING ⚠

Indicates a potentially hazardous situation which, if not avoided, could result in death or serious injury.

⚠ CAUTION ⚠

Indicates a potentially hazardous situation which, if not avoided, may result in minor or moderate injury. This notation is also used to alert against unsafe practices.

Note: Indicates additional information in the installation and operation procedures of your winch.

Introduction

Thank you for purchasing your **KEEPER®** Winch.

PLEASE READ ALL INSTRUCTIONS, PAYING SPECIAL ATTENTION TO THE SAFETY INSTRUCTIONS.

Your **KEEPER®** Winch has been designed and manufactured to provide years of trouble-free operation. If you are not satisfied, for any reason, please contact Customer Service at 800-533-7372, visit our website: www.keeperwinches.com or contact winches@hamptonproducts.com. When requesting information in regard to this winch, please give the following information:

Winch Part # _____ and Serial number _____.

(Please write down this information here for future reference.) (Found on Motor Housing)

Please read and understand this Owner's Manual prior to installing and operating this product.

PAY PARTICULAR ATTENTION TO THE GENERAL SAFETY INFORMATION.

Your Winch is a powerful machine. If used unsafely or improperly, there is a possibility that property damage and/or personal injury can result. Your safety ultimately depends on your caution when using this product.

THIS PRODUCT IS NOT INTENDED FOR LIFTING / HOISTING

Save this Manual

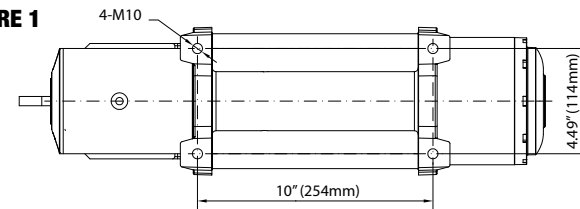
You will need this manual for the safety warnings and cautions, assembly instructions, operating procedures, maintenance procedures, trouble shooting, parts list, and diagram. Keep your invoice with this manual. Write the invoice number on the inside of the front cover. Keep both this manual and your invoice in a safe, dry place for future reference.

KW13.5 SPECIFICATIONS

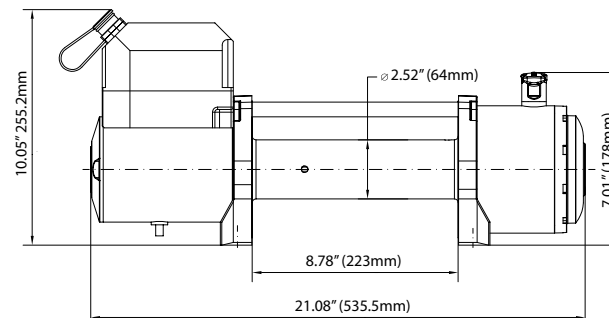
Part Number:	KW13122 - Wireless Remote Switch
Rated Line Pull:	13,500 lbs., 6,124 kg.
Motor - Series Wound:	5.5 hp 12V DC
Control:	Handheld Pendant Switch on 15' Lead with Built-in High Density Light and Wireless Control
Switching:	High Duty Cycle Integrated Sealed Solenoid Pack and KTA14126 Wireless
Gear Train:	High Efficiency 3-Stage Planetary Gear Set
Gear Reduction:	265:1
Clutch (Freespooling):	Lift and Turn
Brake:	Mechanical Automatic
Wire Rope:	92' (28.00 m) of 3/8ths (9.5 mm) Diameter Galvanized Wire Rope with Looped Thimble, Latched Clevis Hook and Red Warning Area.
Drum Diameter/Length:	Diameter - 2.5" (63.5 mm) / Length - 8.8" (224 mm)
Fairleads:	4-way Roller
Battery Leads:	2 Gauge: Front Mount 72" motor leads
Battery:	Minimum 650 CCA
Application:	General Utility Load Recovery/Trailer, Truck, Tractor, Equipment
Finish:	High-Gloss gray Powder Coat over Undercoating
Weight:	106 lbs. / 48 kg.
Warranty	Limited Warranty: See Warranty

Winch Dimensions and Mounting Bolt Pattern

FIGURE 1



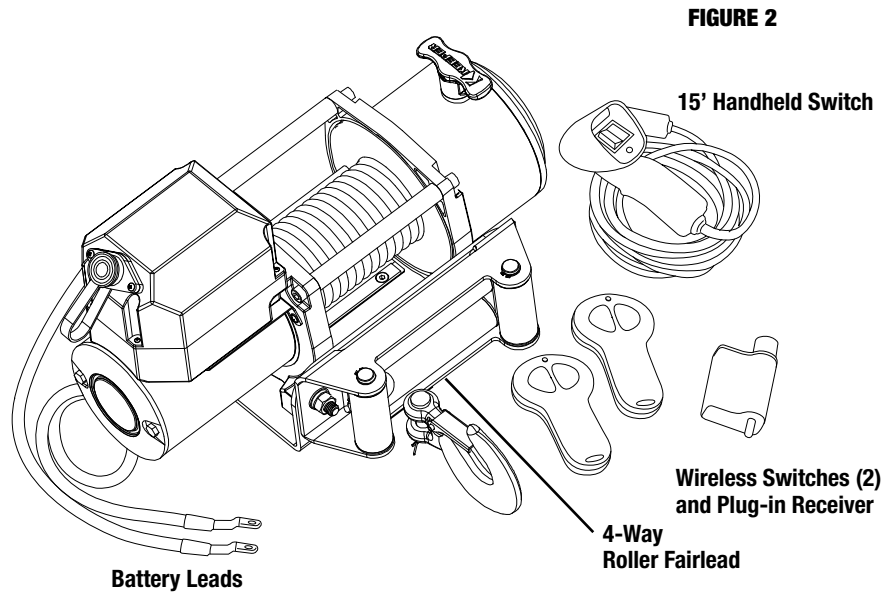
MOUNTING BOLT PATTERN
10" (254mm) x 4.5" (114mm)



THIS PRODUCT IS NOT INTENDED FOR LIFTING / HOISTING

General Description

This KEEPER® Winch is equipped with a series wound, 12 Volt DC motor and is designed for **INTERMITTENT GENERAL DUTY USE**. This electric winch is similar to most electric motor driven tools and should not be allowed to become overly hot. Stop winch if motor starts to labor or end of motor becomes hot to the touch. Stop winching and allow motor to cool down. Minimum electrical requirements are 60 amp alternator and battery with 650 CCA (cold cranking amp) capacity. This Winch (**FIGURE 2**) is not intended for use in lifting/hoisting applications and the manufacturer does not warrant it to be suitable for such use. The Freespool Clutch disengages the gearbox to allow the wire rope to be pulled out without using electric power. A Remote Switch with 15' lead and wireless switch allows a wide variety of mounting options.



12V DC PERFORMANCE

Line Pull Lbs. (kg)	Line Speed FPM (MPM)	Motor Amp Dr	Pull By Layer Lbs. (kg)
0	30 (9)	70	1 @ 13,500 (6124)
4000 (1814)	9.5 (2.9)	195	2 @ 11,745 (3580)
6000 (2722)	7.5 (2.3)	240	3 @ 10,218 (3115)
8000 (3629)	5.8 (1.8)	310	4 @ 8,890 (2710)
10000 (4536)	4.4 (1.3)	345	
13500 (6124)	3 (.9)	400	

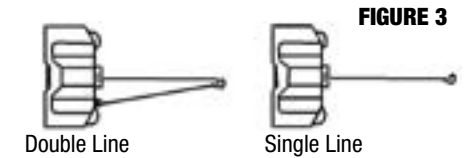
Rolling Load Capacities (1st Layer)

SLOPE*	10% (5.7°)	20% (9°)	40% (18°)	60% (27°)	100% (45°)
Lbs.	67,838	46,130	28,926	22,460	17,415
Kgs.	30,771	20,924	15,921	10,188	7,900

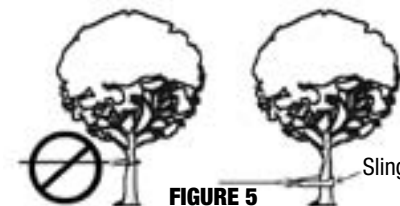
*SLOPE: a one (1') rise over ten (10') feet in length equals a GRADE of 10%. A 10% grade is equal to a 5.71° incline angle. A 100% grade equals a 45° angle of incline.

General Safety Warnings & Cautions

- 1. READ AND UNDERSTAND THIS MANUAL BEFORE OPERATING YOUR WINCH.** After installing the Winch, practice using it before the need arises. **NEVER ALLOW PERSONS UNFAMILIAR WITH THIS PRODUCT TO OPERATE IT. ALWAYS WEAR SAFETY GLASSES AND LEATHER GLOVES WHILE WORKING WITH MACHINERY.**
- 2. DO NOT EXCEED RATED CAPACITY OF THE WINCH. DO NOT OVERLOAD! DO NOT ATTEMPT PROLONGED PULLS OF HEAVY LOADS!** Overloads can damage the Winch and/or the wire rope and create unsafe operating conditions. **FOR LOADS OVER 75% OF THE RATED WINCH CAPACITY, WE RECOMMEND THE USE OF A PULLEY BLOCK TO DOUBLE LINE THE WIRE ROPE . (Figure 3).** This reduces the load on the Winch, the strain on the wire rope and electrical system.
- 3. Never apply a load to your winch with the wire rope fully extended.** Keep at least 5 wraps on the winch drum.
- 4. THE VEHICLE ENGINE SHOULD BE RUNNING DURING WINCH OPERATION.** If winching is performed with the engine turned off, the battery may be too weak to restart the engine.
- 5. DO NOT** operate your vehicle to assist the Winch in pulling the load. The combination of the Winch and vehicle pulling together could overload the wire rope and the Winch.
- 6. WHEN IN USE, ALWAYS STAND CLEAR OF WIRE ROPE, HOOK AND WINCH.**



- 7. INSPECT WIRE ROPE AND EQUIPMENT FREQUENTLY. A FRAYED, KINKED OR FLATTENED WIRE ROPE NEEDS TO BE REPLACED IMMEDIATELY.** Periodically check the Winch installation to ensure that all bolts are tight.
- 8. USE HEAVY LEATHER GLOVES** when handling wire rope. **DO NOT LET WIRE ROPE SLIDE THROUGH YOUR GLOVED OR UNGLOVED HANDS. ALWAYS USE THE HAND-SAVER STRAP** when guiding the wire rope in or out (**Figure 4**).
- 9. NEVER WINCH WITH LESS THAN 5 WRAPS OF WIRE ROPE AROUND THE WINCH DRUM** since the wire rope end fastener may **NOT** withstand full load.
- 10. KEEP CLEAR OF WINCH, TAUT WIRE ROPE AND HOOK WHEN OPERATING WINCH. NEVER STEP OVER TAUT WIRE ROPE.**
- 11. NEVER HOOK THE WIRE ROPE BACK ONTO ITSELF.** This will damage the wire rope. Use a **KEEPER 02953 3" X 6' WINCH STRAP**, sling, tree saver or other recommended accessory for this type connection (**Figure 5**).



- 12. NEVER USE YOUR WINCH FOR LIFTING OR MOVING PEOPLE!**
- 13. YOUR WINCH IS NOT INTENDED FOR OVER HEAD HOISTING OPERATIONS.**
- 14. AVOID CONTINUOUS PULLS FROM EXTREME ANGLES.** This will cause the wire rope to pile and jam in the Winch, causing damage to the wire rope or Winch (**Figure 6**).

⚠ General Safety Warnings & Cautions (Continued) ⚠

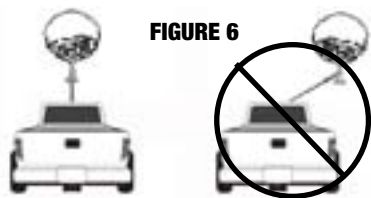
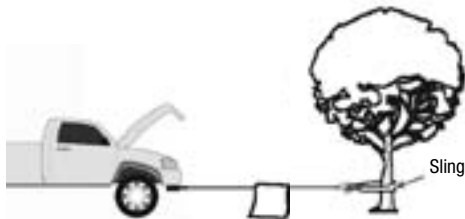


FIGURE 6

FIGURE 7



15. NEVER OBSCURE THE WARNING INSTRUCTION LABELS ON THE WINCH.

16. It is highly recommended to lay a heavy cloth (such as a blanket or tarp) over the wire rope when pulling heavy loads (Figure 7). If a wire rope failure should occur, the cloth will act as a damper and help prevent the wire rope from whipping. If mounted on the front of a vehicle then raise the hood for further protection.

17. Always operate Winch with an unobstructed view of the Winching operation.

18. Equipment such as hooks, pulley blocks, straps, etc. should be sized for winch capacity and periodically inspected for damage that could reduce their strength.

19. NEVER RELEASE FREESPOOL CLUTCH WHEN THERE IS A LOAD ON THE WINCH.

20. NEVER WORK ON OR AROUND THE WINCH DRUM WHEN WINCH OR WIRE ROPE IS UNDER LOAD.

21. DO NOT OPERATE WINCH WHEN UNDER THE INFLUENCE OF ANY DRUGS OR ALCOHOL.

22. ALWAYS DISCONNECT WINCH POWER LEADS TO BATTERY BEFORE WORKING ON OR AROUND THE WINCH DRUM so that Winch cannot be turned on accidentally.

23. When moving a load, slowly take up wire rope slack until it is taut. Stop, recheck all Winching connections. Be sure the hook is properly seated. If a nylon sling is used, check the attachment to the load.

24. When using a vehicle mounted Winch to move a load, place the vehicle transmission in neutral (never in Park), set vehicle hand-brake, and chock all wheels.

25. DO NOT USE THE WINCH TO HOLD LOADS IN PLACE. Use other means of securing loads such as KEEPER brand tie-down straps. For tie-down information go to www.keepercorp.com

26. USE ONLY FACTORY APPROVED SWITCHES, ADAPTERS, REMOTE CONTROLS AND ACCESSORIES. Use of non-factory approved components may cause injury or property damage and could void your warranty.

27. DO NOT MACHINE OR WELD ANY PART OF THE WINCH. Such alteration may weaken the structural integrity of the Winch and could void your warranty.

28. This is a 12 Volt DC Winch. CONNECT ONLY TO 12 VOLT DC BATTERY. DO NOT CONNECT WINCH TO EITHER 110V OR 220V AC CURRENT AS WINCH WILL BURN OUT OR FATAL SHOCK WILL OCCUR. This will void warranty.

29. Never allow shock loads to be applied to Winch or wire rope.

30. USE EXTREME CAUTION WHEN WINCHING A LOAD UP AND DOWN A RAMP OR INCLINE/.

31. Keep people, pets, and property clear of Winching path, front, rear and sides for 80'.

32. NEVER EXCEED RATING OF YOUR RECIEVER HITCH.

THIS PRODUCT IS NOT INTENDED FOR LIFTING / HOISTING

Winch Installation

Correct installation of your Winch is required for proper operation. Installation should be on a flat surface following the bolt pattern shown in FIGURE 1.

Read and follow directions carefully to ensure proper Winch alignment and trouble free operation.

This Winch **MUST** be mounted with the wire rope in the under-wind direction (FIGURE 8).

MUST use only genuine Keeper Winch replacement Wire Rope part number 92' x 3/8" KWA14625.

⚠ WARNING ⚠

Improper mounting could damage your Winch and void your warranty.

⚠ WARNING ⚠

DO NOT EXCEED THE RATING OF YOUR RECIEVER HITCH

Step 1 Mount the Winch to the mounting kit base plate, proper mounting bolts are supplied. If using the Roller Fair Lead included, install now to mounting plate. You may need to remove one or more of the rollers on the roller fairlead to pass through the wire rope. After doing this you may now attach the clevis hook. See (Figure 8) for order and bolt direction.

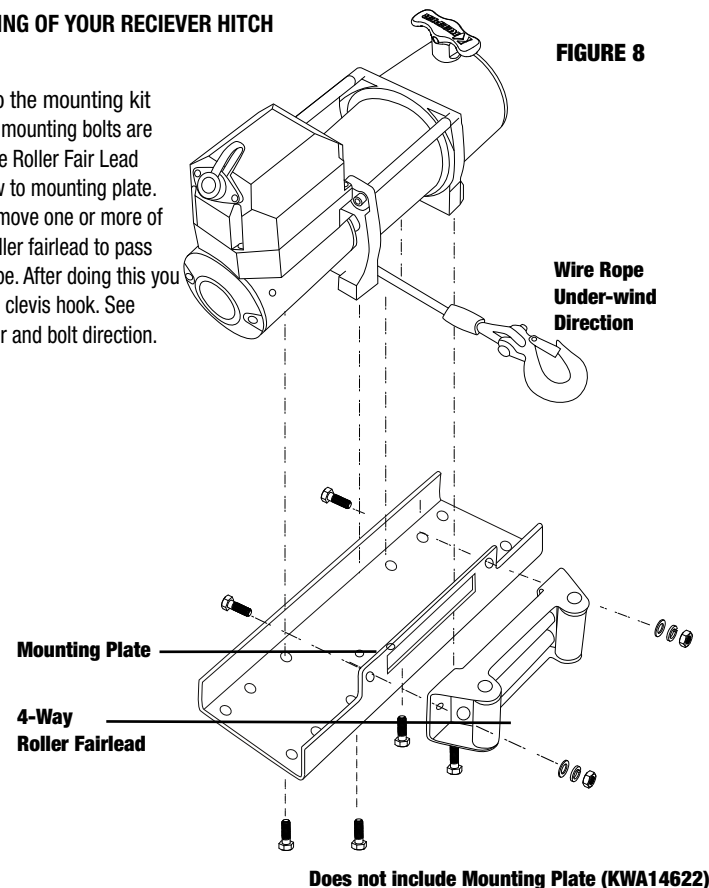


FIGURE 8

THIS PRODUCT IS NOT INTENDED FOR LIFTING / HOISTING

Winch Installation (Continued)

⚠ WARNING ⚠

USE ONLY 3/8" -16 UNC BOLT AND NUTS WITH MINIMUM ISO GRADE 8.8.

⚠ WARNING ⚠

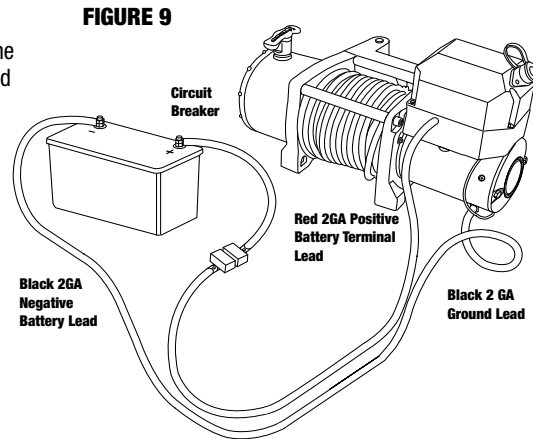
Batteries contain gases, which are flammable and explosive. **WEAR EYE PROTECTION DURING INSTALLATION AND REMOVE ALL METAL JEWELRY.** Do not lean over battery while making connections.

⚠ WARNING ⚠

Ensure that the wiring harness does not interfere or come in contact with any hot or moving engine, suspension, steering, braking or exhaust parts.

MINIMUM ELECTRICAL REQUIREMENTS ARE 60 AMP ALTERNATOR AND BATTERY WITH 650 CCA (GOLD CRANKING AMP) CAPACITY.

Step 2 Follow electrical connection diagram (FIGURE 9). Bolt the circuit breaker to the terminal end of the Red 2 GA battery lead that is factory connected to the sealed solenoid switching pack. Now connect the circuit breaker to the positive battery terminal.



- Step 3** Connect Black 2 GA battery lead to the negative motor terminal located on the bottom of the motor and also connect the Black 2 GA ground lead from the solenoid pack to the same negative motor terminal.
- Step 4** Connect the other terminal end of the Black 2 GA battery lead to the negative battery terminal. If longer wiring harness is required then purchase KWA14607
- Step 5** Remove the dust cover on the plug receptacle and insert the plug end of the handheld pendant switch. The plug end is keyed and will fit easily onto the socket only one way. **DO NOT FORCE.**
- Step 6** Lift and turn the freespool clutch handle to the Disengage position (See FIGURE 12). Pull 5 feet of wire rope off the drum. Return the freespool clutch handle back to Engaged position. Activate the Winch cable in and out by momentarily pressing the handheld pendant switch to check drum rotation direction. The switch is labeled "IN" for winching in and "OUT" for winching out. When released the switch will automatically go to the off position. **IF THIS DOES NOT OCCUR THEN REMOVE THE HAND HELD PLUG FROM THE RECEPTACLE.**

If the drum rotates in the wrong direction then check the trouble shooting area in this manual or call for assistance 800-533-7372. or contact winches@hamptonproducts.com

- Step 7** You are now ready to winch. Practice winching operations by freespooling cable out and winching in under low loads. Make sure all wraps are wound on tight and close against the previous wrap. Plan some tests in advance and learn to watch and listen. Recognize the sound of a light steady pull, a heavy pull and sounds caused by load jerking or shifting. You will gain confidence. **ALWAYS WEAR SAFETY GLASSES, LEATHER GLOVES AND USE THE HAND SAVER STRAP (FIGURE 4).**

Pendant Operation

The handheld pendant switch activates a solenoid that activates power to the winch motor.

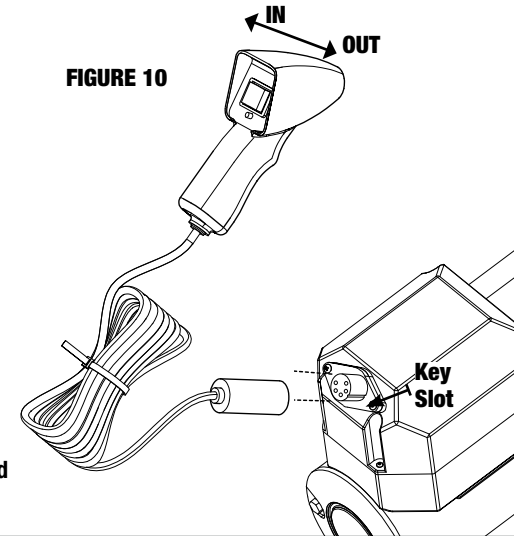
To connect the handheld pendant switch, remove the cover on the plug receptacle and insert the plug end of remote switch (See FIGURE 10). The plug on the pendant control cord is keyed and will fit into the socket only one way.

The switch trigger returns to the "Off" position when released. To change direction, move the toggle in the other direction. (See FIGURE 10).

The red push button activates the LED work light.

⚠ CAUTION ⚠

The switch assembly must be kept free of dirt and moisture to ensure safe operation.



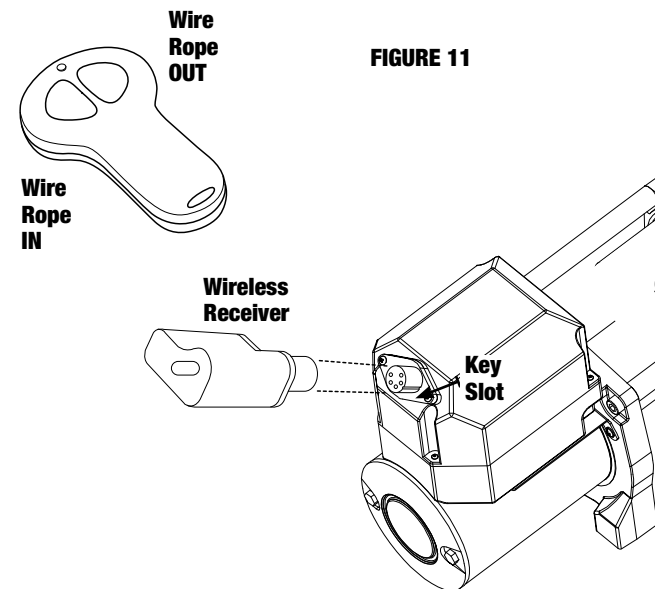
Wireless Operation (Remote KTA14126)

Plug the receiver into the five pin plug located on the winch control box (Where the hand held control usually plugs into). Please take care to line up the keyed notch on the inside of the receiver with the keyway on the outside of the plug (See FIGURE 11). You are now ready to remotely operate the winch.

Make sure notch fits into key way as misalignment will damage the unit and void warranty.

Please note that the unit is programmed for a 1 second delay in both starting and stopping. **This may represent a 6" to 8" travel in the wire rope.**

Your wireless remote is now installed. Enjoy your wireless remote switch winching experience.



Operation Instructions for KTA14126 Wireless Remote
Mode d'Emploi de la Télécommande KTA14126
Instrucciones de Funcionamiento para Control Remoto Inalámbrico KTA14126

Wireless remote operation • Fonctionnement de la télécommande • Funcionamiento de control remoto inalámbrico

Your wireless remote will operate the winch from up to 100+ feet depending on weather conditions as rain, snow or fog can shorten the distance.

1. To activate the sender PRESS BOTH the "Winch In" (A) (Arrow towards the winch drum) and "Winch Out" (B) (Arrow facing away from the drum) buttons at the same time for 5 seconds or until the indicator light (C) turns red. Refer to Fig.1
2. Plug the receiver (Fig. 2) into the female plug receptacle on the top of the solenoid box on the winch (Same place you would normally plug your handheld switch control) Fig. 3
3. You are now ready to winch. When you press either the "Winch In" or "Winch Out" buttons the red indicator light (C) will flicker.

PLEASE NOTE – If the switch is not used for 5 minutes it will go into sleep mode for safety and also extend battery life. To revive the sender you will need to repeat step 1.

La télécommande fait fonctionner le treuil dans un rayon de 33+ mètres (100+ pieds) selon les conditions météorologiques telles que pluie, neige ou brouillard qui peuvent raccourcir la distance de réception des signaux.

1. Pour activer l'émetteur, APPUYER EN MÊME TEMPS sur les boutons (A) « Winch In » (Treuil – enroulement) (flèche pointant vers le tambour de treuil) et (B) « Winch Out » (Treuil – déroulement) (flèche orientée vers le côté opposé au treuil) pendant 5 secondes ou jusqu'à ce que l'indicateur lumineux (C) devienne rouge. Voir la Fig. 1
2. Enficher le récepteur (Fig. 2) sur la prise femelle située au sommet du boîtier de la bobine (solénoïde) du treuil (même endroit où brancher normalement la commande d'interrupteur manuelle) Fig. 3
3. Le treuil est alors prêt à fonctionner. L'indicateur lumineux rouge (C) clignote lorsqu'on appuie sur le bouton « Winch In » (Treuil – enroulement) ou sur le bouton « Winch Out » (Treuil – déroulement).

REMARQUE IMPORTANTE – Quand la commande d'interrupteur reste inutilisée pendant 5 minutes elle passe en mode de veille pour raisons de sécurité et de conservation des piles. Pour réactiver l'émetteur, il faut répéter l'étape 1.

Su control remoto inalámbrico hará funcionar el cabrestante desde una distancia hasta de más de 33 m (100 pies o más); dependiendo de las condiciones del tiempo, tales como lluvia, nieve o neblina, la distancia puede acortarse.

1. Para activar el emisor PULSE AMBOS botones de "Enrollar cabrestante" (A) (Flecha hacia el tambor del cabrestante) y de "Desenrollar cabrestante" (B) (Flecha en dirección opuesta al tambor) a la misma vez durante cinco (5) segundos o hasta que la lámpara indicadora (C) se ilumine en color rojo. Consulte la Fig. 1.
2. Enchufe el receptor (Fig.2) en el receptáculo hembra de enchufe situado en la parte superior de la caja de solenoides en el cabrestante (el mismo lugar donde usted normalmente enchufaría su control de conmutación manual) - Fig. 3.
3. Usted ahora está listo para hacer funcionar el cabrestante. Cuando usted pulse ya sea el botón de "Enrollar cabrestante" o el botón de "Desenrollar cabrestante, la lámpara indicadora roja se iluminará intermitentemente.

SÍRVASE TOMAR NOTA – si el conmutador no se utiliza durante cinco (5) minutos, pasará al modo de suspensión como medida de seguridad y para extender la vida de servicio de la pila. Para revivir al emisor, usted necesita repetir el paso 1.

FIG. 1

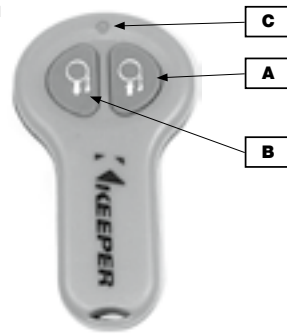
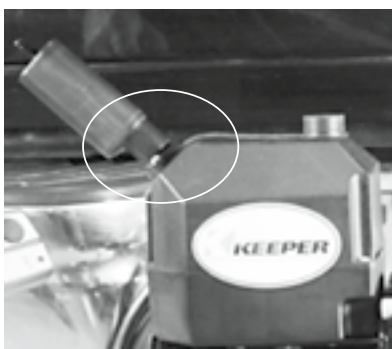


FIG. 2



FIG. 3



Operation Instructions for KTA14126 Wireless Remote
Mode d'Emploi de la Télécommande KTA14126
Instrucciones de Funcionamiento para Control Remoto Inalámbrico KTA14126

Reprogramming senders to a receiver
Reprogrammation des émetteurs vers un récepteur
Cómo reprogramar emisores para un receptor

If you ever have to replace your senders or receiver you can program the new units to function with the old units by following the procedure below.

1. Unscrew and remove the two metal screws at the plug side of the receiver. Fig. 4
2. Gently pull out the receiving assembly. Fig. 5
3. MAKE SURE THE WINCH IS IN THE FREEWHEEL POSITION
4. Plug the assembly into the female plug receptacle on top of the winch solenoid control box. The same position as shown in Fig 3.
5. Push down on the Smart Button Fig 6
6. As the Smart Button is depressed, first push the "Winch Out" (B in Fig.1) button in for at least 2 seconds before releasing and then push the "Winch In" (A in Fig. 1) button in for two seconds before releasing. The movement of the motor will indicate that you have successfully reprogrammed the senders.
7. Once you have determined that the units are working, unplug the receiving assembly from the control box and carefully slide it back into the housing and secure it with the two screws.
8. You are ready to use the reprogrammed Wireless. **Remember that your winch is in the freewheel position.

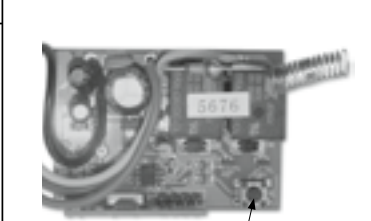
FIG. 4



FIG. 5



FIG. 6



Smart Button
Bouton intelligent
Botón inteligente

S'il est nécessaire de remplacer les émetteurs ou le récepteur, il est possible de reprogrammer les nouvelles unités pour qu'elles fonctionnent avec les unités anciennes, en suivant la procédure ci-dessous.

1. Dévisser et enlever les deux vis métalliques côté fiche du récepteur. Fig. 4
2. Tirer délicatement sur l'ensemble de récepteur. Fig. 5
3. VÉRIFIER QUE LE TREUIL EST EN POSITION NEUTRE (ROUE LIBRE)
4. Enficher l'ensemble sur la prise femelle située au sommet du boîtier de la bobine de commande du treuil. Même position que l'illustration de la Fig 3.
5. Appuyer sur le Bouton intelligent. Fig 6
6. Quand le Bouton intelligent est enfoncé, appuyer d'abord sur le bouton « Winch Out » (Treuil – déroulement) (B de la Fig. 1) pendant au moins 2 secondes avant de le relâcher, puis enfoncer le bouton « Winch In » (Treuil – enroulement) (A de la Fig. 1) pendant 2 secondes avant de le relâcher. Le mouvement du moteur indique que la programmation des émetteurs est réussie.
7. Quand le bon fonctionnement des unités a été vérifié, débrancher l'ensemble de récepteur du boîtier de commande et le replacer délicatement dans l'enceinte en l'y faisant glisser et le fixer avec les deux vis.
8. La télécommande reprogrammée est alors prête à l'emploi. **Il faut se rappeler que le treuil est en position neutre (roue libre)

Si en alguna ocasión usted tuviera que reemplazar sus emisores o receptor, usted puede programar las nuevas unidades para que funcionen con las unidades antiguas al seguir el siguiente procedimiento dado abajo.

1. Desatornille y desmonte los dos tornillos de metal situados en el lado de enchufe del receptor - Fig. 4.
 2. Jale cuidadosamente el ensamblaje receptor - Fig. 5.
 3. ASEGÚRESE QUE EL CABRESTANTE SE ENCUENTRE EN LA POSICIÓN DE GIRO LIBRE
 4. Enchufe el ensamblaje en el receptáculo hembra de enchufe situado sobre la parte superior de la caja de control de solenoides del cabrestante. La misma posición tal como se muestra en la Fig. 3.
 5. Pulse sobre el "Botón inteligente" - Fig. 6.
 6. Mientras se tiene pulsado el Botón inteligente, primero pulse el botón de "Desenrollar cabrestante" (B en la Fig. 1) durante cuando menos dos (2) segundos antes de soltarlo, y luego pulse el botón de "Enrollar cabrestante" (S en la Fig. 1) durante cuando menos dos (2) segundos antes de soltarlo. El movimiento del motor le indicará que usted ha reprogramado exitosamente los emisores.
 7. Una vez que haya determinado que las unidades están funcionando, desenchufe el ensamblaje receptor de la caja de control y deslicelo con cuidado otra vez dentro de la carcasa y asegúrelo con los dos tornillos.
 8. Ya está usted listo para usar el Control remoto inalámbrico.
- ** Recuerde que su cabrestante está en la posición de giro libre.

Freespool Operation

1. Lift and rotate the clutch lever to the "Disengaged" position as shown in **Figure 12**. If there is a load on the wire rope, the clutch lever may not turn easily. **DO NOT FORCE THE CLUTCH LEVER**. Release tension on the wire rope by joggling out some of the wire rope, then try releasing the clutch.
2. Pull out the wire rope and secure to anchor or load.
3. Check that there are at least five (5) wraps of wire rope left on the drum.
4. Re-engage the drum by lift and rotating the clutch lever to the "Engaged" position, apply power to engage clutch (**see Figure 12**).

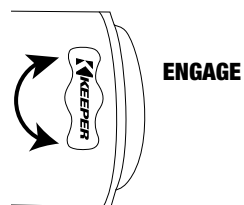


FIGURE 12



CAUTION
Lever must be in the engaged position and locked before winching.

Brake Operation

Your winch incorporates an automatic load holding brake. After winching in a load, this mechanism holds the load, up to the rated capacity of the winch. While powering out the load, the winch controls the rate of speed by applying the brake in proportion to the amount of the load in the winch cable. This results in heavier loads powering-out more slowly than lighter loads.

Similar to the friction-type brakes in your automobile which can generate heat if used for a long period of time, the winch brake can generate heat if used to power-out a load for a long period of time.

To ensure optimum winch performance, always limit powering-out a load to 2 minutes and allow the brake to cool for 15 minutes before continuing to winch.

Under normal use, the brake mechanism should not require any adjustment. Should the brake fail to hold a load or maintain a constant rate of speed during power-out operation, the brake spring may be worn and require replacement.

FOR PARTS INFORMATION PLEASE CHECK www.keeperwinches.com,
winches@hamptonproducts.com, OR CALL CUSTOMER SERVICE 1-877-533-7372

Extending the Life of Your Winch

1. **KEEP A TIGHTLY WOUND WIRE ROPE DRUM.** Keep the wire rope tightly and evenly wound on the drum all the time. Do not allow the wire rope to become loosely wound. A loosely wound drum allows a wire rope under load to work its way down into the layers of wire rope on the drum. When this happens, the wire rope may become wedged within the body of the windings damaging the wire rope. A good practice is to rewind the wire rope under tension after each use. Apply tension using hand saver strap (**FIGURE 3**) and **ALWAYS** wear safety glasses and leather gloves.
2. **DO NOT ALLOW WINCH MOTOR TO OVERHEAT.** Keep the duration of pulls as short as possible. If the motor becomes uncomfortably hot by touching, stop winching and allow the motor to cool down. **KEEP THE VEHICLE ENGINE RUNNING TO RECHARGE THE BATTERY** during the cooling break.
3. **USE A PULLEY BLOCK FOR HEAVY LOADS.** To maximize Winch and wire rope life, use a pulley block (not included) to double line heavier loads. (**See FIGURE 3**) For maximum performance use a pulley block that is greater than 75% of the rated capacity of the winch. For the KW13.5 use a pulley block once you exceed 10,100 lbs. Always use a pulley block (for part number **Call Keeper Winch**) that is rated twice the capacity of the winch.



CAUTION If the winch motor stalls, do not continue to apply power.

4. The pull required to start a load moving is often much greater than the pull required to keep it moving. **AVOID FREQUENT STOPS AND STARTS DURING THE PULL.**
5. **PREVENT KINKS IN WIRE ROPE BEFORE THEY OCCUR (FIGURE 13).**

- a. This is the start of a kink. Wire rope should be straightened.
- b. Wire rope was pulled and loop has tightened into a kink. Wire rope is now permanently damaged and **MUST** be replaced.
- c. Result of kinking is that each strand pulls a different amount causing strands under greatest tension to break and reduce load capacity of wire rope. The wire rope **MUST** be replaced. Use only genuine Keeper Winch replacement part number **KWA14625 92' X 3/8"**

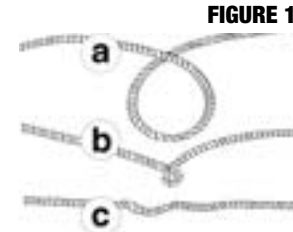


FIGURE 13

Contact: winches@hamptonproducts.com
to order.

Replacing The Wire Rope



WARNING
Never Substitute a heavier or lighter wire rope. Never use rope made of any other materials other than wire. Use only recommended Keeper replacement wire rope, 92' x 3/8" **KWA14625**.

Attach wire rope to the drum using screw provided **FIGURE 14**).

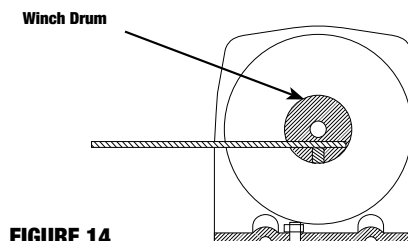


FIGURE 14

Maintenance & Repair



WARNING
Before each use, check mounting bolts for tightness, inspect cable for damage. Inspect remote control assembly for any damage. Periodically use a clean, dry towel to remove dirt and debris from winch housing. **Lubrication:** The gear box is permanently lubricated. Do not attempt to disassemble the gear box. This will void your warranty.

Troubleshooting

If a problem arises, **DO NOT RETURN TO RETAILER** call Keeper® Winch Customer Service at 800-533-7372 or e-mail winches@hamptonproducts.com.

Symptom	Possible Causes	Corrective Action
Motor will not operate or runs in one direction only	<ol style="list-style-type: none"> 1. Broken wires or bad battery connection 2. Switch inoperative 3. Damaged winch 4. Damaged solenoid 5. Circuit breaker malfunction 	<ol style="list-style-type: none"> 1. Check for poor connection(s) and that all wiring is tight and clean 2. Check that switch wires are connected properly to the solenoid 3. Replace or repair 4. Replace solenoid 5. Replace circuit breaker
Motor runs extremely hot	<ol style="list-style-type: none"> 1. Long period of operation 2. Damaged during operation 	<ol style="list-style-type: none"> 1. Allow to cool 2. Replace or repair
Motor runs but with insufficient power or line speed	<ol style="list-style-type: none"> 1. Weak/Low battery 2. Battery to Winch wire too long 3. Poor battery connection 4. Poor ground 5. Damaged motor 	<ol style="list-style-type: none"> 1. Recharge or replace battery. Check charging system. 2. Use only supplied wires. If increase in length is needed, drop down wire size to 2 or 3 AWG. 3. Check battery terminals for corrosion. Clean as required. 4. Check and clean connections 5. Replace or repair
Motor runs but drum does not turn	Clutch not engaged	Engage clutch
Winch runs backwards	<ol style="list-style-type: none"> 1. Battery wires reversed 2. Switch wires reversed 3. Switch installed incorrectly 	<ol style="list-style-type: none"> 1. Recheck wiring 2. Recheck wiring 3. Check switch installation

LIMITED WARRANTY: Hampton Products International Corporation warrants product according to provisions below: Mechanical components are warranted for lifetime of the winch to be free from defects of material and workmanship. Electrical components are warranted for 1 year to be free from defects of material or workmanship. If a defect in material or workmanship occurs, call 800-533-7372 for instructions on how to have the Product repaired or replaced. This Warranty applies only to the original Purchaser/Consumer of the Products from the date of purchase of the Product. Defective Products returned become property of the manufacturer. Limitations on the Warranty: The following limitations apply to the Warranty: (a) The Warranty applies only to Products which are defective in material or workmanship. This Warranty does not cover normal wear and tear. The Warranty does not cover service or labor charges which are incurred in removing or replacing any Product. (b) The Warranty does not cover the winch finish or wire rope. Accordingly, the manufacturer will not replace, repair or refinish any Products if the finish on the Product is worn in any manner. (c) The Warranty does not extend to Products which are damaged or which fail as a result of the Product being abused, neglected, or misused in any manner, or as a result of any accident, or which are misapplied, overloaded, improperly installed, or altered in any manner by anyone other than the manufacturer its agents or representatives.

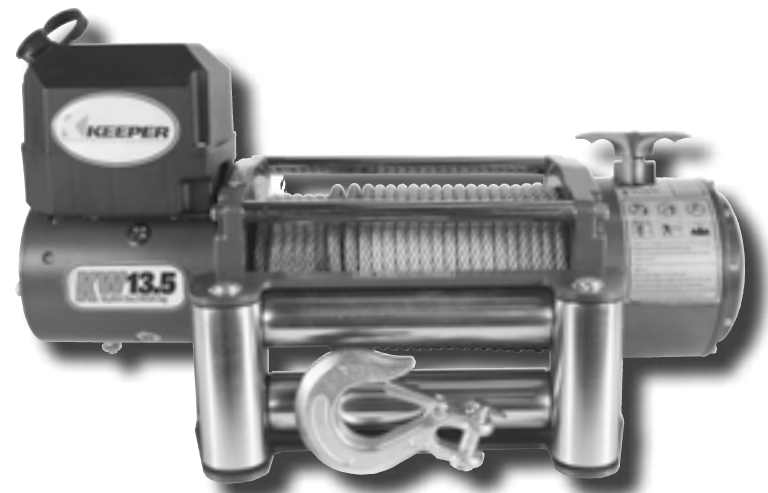
Obligations of Purchaser/Consumer. To obtain the benefits of the Warranty, The Purchaser/Consumer must return the defective Product(s), freight prepaid together with proof of purchase within the warranty period from the date of purchase to Hampton Products or an authorized service center.

Legal Rights and Limitations of Purchaser/Consumer. **THIS WARRANTY GIVES YOU SPECIFIC LEGAL RIGHTS AND YOU ALSO MAY HAVE OTHER RIGHTS WHICH VARY FROM STATE TO STATE. ANY IMPLIED WARRANTY OF MERCHANTABILITY OR FITNESS FOR A PARTICULAR PURPOSE ON ANY PRODUCT SHALL BE LIMITED TO TERMS OF WARRANTY FROM THE DATE OF PURCHASE AT RETAIL TO THE ORIGINAL PURCHASER. SOME STATES DO NOT ALLOW LIMITATIONS**

Hampton Products International Corp.
50 Icon
Foothill Ranch, CA 92610 USA
800-533-7372
www.keeperwinches.com or winches@hamptonproducts.com

THIS PRODUCT IS NOT INTENDED FOR LIFTING / HOISTING

KEEPER
PERFORMANCE ENGINEERED™
CABRESTANTES



Instrucciones de ensamblaje y operación KW13.5

Cabrestante eléctrico de 6,124 kg (13,500 lbs.) 12 VCD

⚠ ¡PRECAUCIÓN! ⚠

**LEA Y COMPRENDA ESTE MANUAL ANTES DE INSTALAR
Y OPERAR ESTE PRODUCTO.**

**NO DEVUELVA ESTE PRODUCTO AL VENDEDOR.
LLAME A CABRESTANTE KEEPER AL 800-533-7372
PARA OBTENER AYUDA**

Hampton Products International Corp.
50 Icon
Foothill Ranch, CA 92610
800-533-7372
www.keeperwinches.com o winches@hamptonproducts.com

Cabrestante eléctrico KW13.5 6,124 kg (13,500 lbs.) 12 VCD

Diseñado para recuperación de equipo, y aplicaciones generales de izamiento de equipo.
ESTE PRODUCTO NO DEBE USARSE PARA LEVANTAMIENTO/ELEVACIÓN DE CARGA

Precauciones de seguridad

⚠ PRECAUCIÓN ⚠

¡FAVOR DE LEER TODAS LAS PRECAUCIONES Y ADVERTENCIAS DE SEGURIDAD ANTES DE INSTALAR Y USAR EL CABRESTANTE! SI TIENE PREGUNTAS ENVÍE UN MENSAJE A WINCHES@HAMPTONPRODUCTS.COM O LLAME AL 1 800-533-7372

Las advertencias, precauciones, avisos de peligro e instrucciones discutidas en este manual de instrucciones no pueden cubrir todas las posibles condiciones y situaciones que podrían ocurrir. El operador debe entender que el sentido común y la precaución son factores que no pueden construirse dentro de este producto, sino que deben ser proporcionados por el operador.



Indica una situación de riesgo inminente que, si no se evita, resultará en la muerte o graves lesiones.



⚠ ADVERTENCIA ⚠



Indica una situación de riesgo potencial que, si no se evita, podría resultar en la muerte o graves lesiones.



Indica una situación de riesgo potencial que, si no se evita, puede resultar en lesiones leves o moderadas. Esta notación se usa también para alertar contra prácticas inseguras.

Nota: Indica información adicional en los procedimientos de instalación y operación de su cabrestante.

Introducción

Muchas gracias por comprar su cabrestante **KEEPER®**.

FAVOR DE LEER TODAS LAS INSTRUCCIONES, PRESTANDO ESPECIAL ATENCIÓN A LAS INSTRUCCIONES DE SEGURIDAD.

Su cabrestante **KEEPER®** ha sido diseñado y fabricado para proporcionar años de operación sin problemas. Si no está satisfecho, por cualquier razón, por favor póngase en contacto con Servicio al Cliente al 800-533-7372, visite nuestro sitio web: www.keeperwinches.com or contact.winches@hamptonproducts.com. Cuando solicite información respecto a este cabrestante, favor de proporcionar la información siguiente:
 Número de pieza _____ y número de serie _____ del cabrestante.
 (Favor de escribir esta información aquí para referencia futura). (Se encuentra en la carcasa del motor)
 Favor de leer y comprender este Manual del Propietario antes de instalar y operar este producto.

PRESTE PARTICULAR ATENCIÓN A LA INFORMACIÓN GENERAL DE SEGURIDAD.

Su cabrestante es una máquina poderosa. Si lo usa en forma insegura o inapropiada, es posible que el resultado sea daño a la propiedad o lesiones personales. Su seguridad a fin de cuentas depende de su precaución al usar este producto.

ESTE PRODUCTO NO DEBE USARSE PARA LEVANTAMIENTO/ELEVACIÓN DE CARGA

Guarde este manual

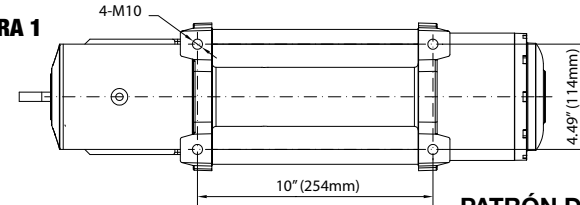
Necesitará este manual para ver las advertencias y precauciones de seguridad, las instrucciones de ensamblaje, los procedimientos de operación, los procedimientos de mantenimiento, solución de problemas, lista de piezas, y el diagrama. Mantenga su factura junto a este manual. Escriba el número de la factura en la parte interior de la portada. Mantenga tanto este manual como su factura en un lugar seguro y seco para referencia futura.

ESPECIFICACIONES DE KW13.5

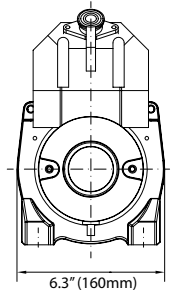
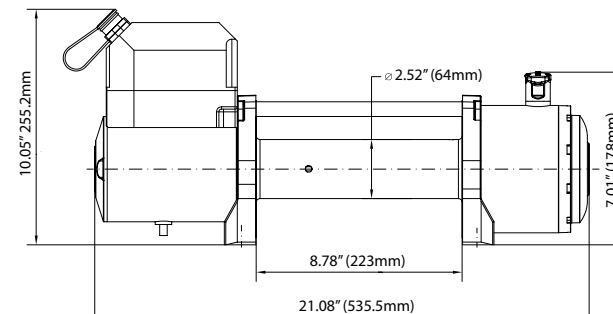
Número de pieza:	KW13122 - interruptor remoto inalámbrico
Jalón calificado de la línea:	6,124 kg, 13,500 lbs.
Motor - Serie de enredado:	4.5 hp 12 VCD
Control:	Interruptor colgante manual con conector de 4.57 m (15') con luz integrada de alta densidad
Comutación:	Paquete de solenoide integrado y sellado con ciclo de alto rendimiento y KTA14126 inalámbrico
Tren de engranes:	Juego de engranes planetarios de tres etapas de alta eficiencia
Reducción de engranes:	265:1
Embrague (desenrollado libre):	Levantar y girar
Freno:	Mecánico automático
Cable de acero:	Cable de acero galvanizado de 28.00 m (92') de 9.5 mm (3/8") de diámetro con casquillo de bucle, gancho con cierre de abrazadera y área roja de advertencia.
Diámetro/Longitud del tambor:	Diámetro - 63.5 mm (2.5") / Longitud - 224 mm (8.8")
Guías de rolete:	Rolete de 4 direcciones
Contactos de la batería:	Conductores del acumulador - Calibre 2 (6.543 mm) x 1.83 metros (2 GA x 72")
Batería:	Mínimo 650 CCA
Aplicación:	Recuperación de carga utilitaria en general/Remolque, camión, tractor, equipo
Terminado:	Recubrimiento de pintura en polvo gris de alto brillo sobre la pintura base
Peso:	48 kg/106 lbs.
Garantía	limitado

Dimensiones del cabrestante y patrón de pernos de montaje

FIGURA 1



**PATRÓN DE MONTAJE DE LOS PERNOS
254 mm (10") x 114 mm (4.5")**



ESTE PRODUCTO NO DEBE USARSE PARA LEVANTAMIENTO/ELEVACIÓN DE CARGA

Descripción general

Este cabrestante KEEPER® está equipado con un motor de enrollamiento serial de 12 Voltios CD y está diseñado para **USO DE TRABAJO GENERAL INTERMITENTE**. Este cabrestante eléctrico es similar a la mayor parte de las herramientas eléctricas de motor y no debe permitirse que se caliente demasiado. Detenga el cabrestante si el motor funciona con dificultad o si el extremo del motor se siente caliente al tacto. Deje de usar el cabrestante y permita que el motor se enfríe. Los requisitos eléctricos mínimos son un alternador de 60 amperios y una batería con capacidad de 650 CCA (amperaje de arranque en frío). Este cabrestante (**FIGURA 2**) no está diseñado para usarse en aplicaciones de levantamiento/elevación y el fabricante no garantiza que sea adecuado para ese uso. El embrague de desenrollado libre desconecta la caja de engranes para permitir que el cable de acero pueda jalarse sin usar energía eléctrica. Un interruptor remoto con un conector de 4.58 m (15') y un interruptor inalámbrico permiten una amplia variedad de opciones de montaje.

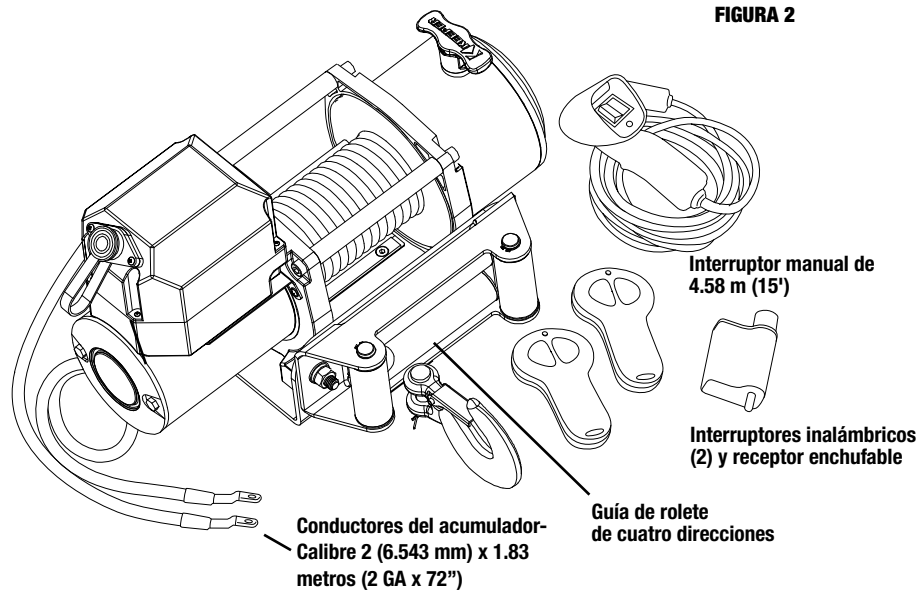


FIGURA 2

DESEMPEÑO DE 12 VCD

Tirón de la línea kg (lbs.)	Velocidad de la apa kg (lbs.)	Dem. Amp. Motor línea FPM (MPM)	Tirón por capa kg (lbs.)
0	30 (9)	70	1 @ 13,500 (6124)
4000 (1814)	9.5 (2.9)	195	2 @ 11,745 (3580)
6000 (2722)	7.5 (2.3)	240	3 @ 10,218 (3115)
8000 (3629)	5.8 (1.8)	310	4 @ 8,890 (2710)
10000 (4536)	4.4 (1.3)	345	
13500 (6124)	3 (.9)	400	

Capacidades de carga gradual (Primera capa)

PENDIENTE*	10% (5.7°)	20% (9°)	40% (18°)	60% (27°)	100% (45°)
Lbs.	67,838	46,130	28,926	22,460	17,415
Kgs.	30,771	20,924	15,921	10,188	7,900

*PENDIENTE: 30.48 cm (1') de elevación sobre 305.8 cm (10') en longitud equivale a un GRADIENTE de 10%. Un gradiente de 10% es igual a un ángulo de inclinación de 5.71°. Un gradiente de 100% es igual a un ángulo de inclinación de 45°.

Advertencias y precauciones generales de seguridad

1. **LEA Y COMPRENDA ESTE MANUAL ANTES DE OPERAR SU CABRESTANTE.** Después de instalar el cabrestante, practique su uso antes de que surja la necesidad. **NUNCA PERMITA QUE PERSONAS QUE NO ESTÉN FAMILIARIZADAS CON ESTE PRODUCTO LO OPEREN. SIEMPRE USE ANTEOJOS DE SEGURIDAD Y GANTES DE CUERO AL TRABAJAR CON MAQUINARIA.**

2. **NO EXCEDA LA CAPACIDAD CALIFICADA DEL CABRESTANTE. ¡NO LO SOBRECARGUE! ¡NO INTENTE REALIZAR IZAMIENTOS PROLONGADOS DE CARGAS PESADAS!** Las sobrecargas pueden dañar el cabrestante y/o el cable de acero y crear condiciones inseguras de operación. **PARA CARGAS MAYORES DEL 75% DE LA CAPACIDAD CALIFICADA DEL CABRESTANTE, RECOMENDAMOS EL USO DE UN BLOQUE DE POLEAS PARA PONER EL CABLE DE ACERO EN LÍNEA DOBLE (Figura 3).** Esto reduce la carga en el cabrestante, y la tensión en el cable de acero y el sistema eléctrico.

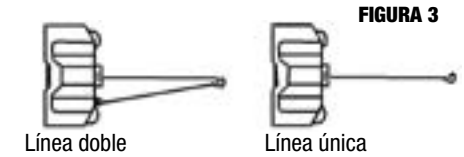


FIGURA 3

3. Nunca aplique una carga a su cabrestante con el cable de acero totalmente extendido. Mantenga por lo menos 5 vueltas en el tambor del cabrestante.

4. **EL MOTOR DEL VEHÍCULO DEBERÁ MANTENERSE ENCENDIDO DURANTE LA OPERACIÓN DEL CABRESTANTE.** Si se realiza un izamiento con el motor apagado, la batería podría estar muy débil para reiniciar el motor.

5. **NO opere su vehículo para ayudar al cabrestante a jalar la carga.** La combinación del cabrestante y el vehículo jalando juntos podrían sobrecargar el cable de acero y el cabrestante.

6. **CUANDO ESTÉ EN USO, ALÉJESE SIEMPRE DEL CABLE DE ACERO, EL GANCHO Y EL CABRESTANTE.**

7. **INSPECCIONE EL CABLE DE ACERO Y EL EQUIPO FRECUENTEMENTE. UN CABLE DE ACERO DESHILADO, DOBLADO O APLANADO NECESITA REEMPLAZARSE DE INMEDIATO.** Revise periódicamente la instalación del cabrestante para asegurarse de que los pernos estén apretados.

8. **USE GANTES DE CUERO PESADO** al manejar el cable de acero. **NO PERMITA QUE EL CABLE DE ACERO SE DESLICE A TRAVÉS DE SUS MANOS CON O SIN GANTES. USE SIEMPRE LA CORREA PROTECTORA DE LAS MANOS** al guiar el cable de acero hacia dentro o hacia afuera (Figura 4).



FIGURA 4

9. **NUNCA USE EL CABRESTANTE CON MENOS DE CINCO VUELTAS DE CABLE DE ACERO ALREDEDOR DEL TAMBOR DEL CABRESTANTE** puesto que el sujetador del extremo del cable de acero pudiera **NO** resistir la carga completa.

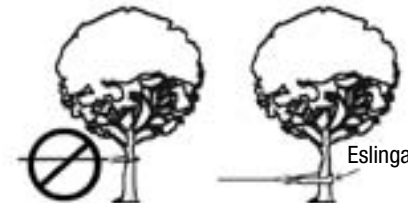
10. **MANTÉNGASE ALEJADO DEL CABRESTANTE, EL CABLE DE ACERO TENSADO Y EL GANCHO AL OPERAR EL CABRESTANTE. NUNCA CAMINE SOBRE CABLE DE ACERO TENSADO.**

11. **NUNCA ENGANCHE EL CABLE DE ACERO SOBRE SÍ MISMO.** Esto dañará el cable de acero. Use una **CORREA PARA CABRESTANTE KEEPER 02953 7.62 cm X 1.83 cm (3" X 6')**, eslinga, protector de árboles u otro accesorio recomendado para este tipo de conexión (Figura 5).

12. **¡NUNCA USE SU CABRESTANTE PARA IZAR O MOVER PERSONAS!**

13. **SU CABRESTANTE NO ESTÁ DISEÑADO PARA OPERACIONES DE IZAMIENTO POR ENCIMA DE LA ALTURA DE LA CABEZA.**

14. **EVITE JALAR EN FORMA CONTINUA DESDE ÁNGULOS EXTREMOS.** Esto causará que el cable de acero se apile y se atasque en el cabrestante, causando daño al cable de acero o el cabrestante (Figura 6).



Eslinga

⚠ Advertencias y precauciones generales de seguridad (continuación) ⚠

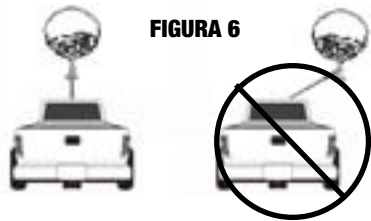
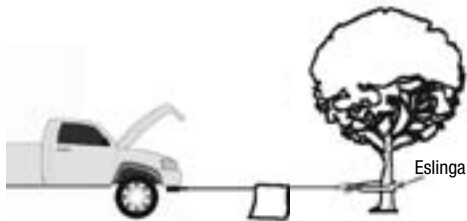


FIGURA 6

FIGURA 7



15. NUNCA OCULTE LAS ETIQUETAS DE INSTRUCCIONES DE ADVERTENCIA EN EL CABRESTANTE.

16. Se recomienda mucho colocar una tela gruesa (tal como una cobija o lona) sobre el cable de acero al jalar cargas pesadas (Figura 7). Si ocurriera una falla del cable de acero, la tela actuará como amortiguador y ayudará a prevenir que el cable de acero se azote. Si está montado en el frente de un vehículo levante la tapa del cofre para tener mayor protección.

17. Siempre opere el cabrestante con una vista sin obstrucción de la operación del cabrestante.

18. El equipo tal como ganchos, bloques de poleas, correas, etc. debería ser del tamaño adecuado para la capacidad del cabrestante e inspeccionado periódicamente por daños que podrían reducir su fortaleza.

19. NUNCA LIBERE EL EMBRAGUE DE DESEMBOLADO LIBRE CUANDO HAYA UNA CARGA EN EL CABRESTANTE.

20. NUNCA TRABAJE EN O CERCA DEL TAMBOR DEL CABRESTANTE CUANDO EL CABRESTANTE O EL CABLE DE ACERO ESTÉN SOMETIDOS A UNA CARGA.

21. NO OPERE EL CABRESTANTE CUANDO ESTÉ BAJO LA INFLUENCIA DE CUALQUIER DROGA O ALCOHOL.

22. SIEMPRE DESCONECTE LOS CONTACTOS DE ENERGÍA DE LA BATERÍA DEL CABRESTANTE ANTES DE TRABAJAR EN O CERCA DEL TAMBOR DEL CABRESTANTE de manera que el cabrestante no pueda ser encendido accidentalmente.

23. Al mover una carga, enrolle lentamente la parte floja del cable de acero hasta que esté tenso. Deténgase y vuelva a revisar todas las conexiones del cabrestante. Asegúrese de que el gancho esté colocado adecuadamente. Si se usa una eslinga de nailon, revise la unión a la carga.

24. Al usar un cabrestante montado en un vehículo para mover una carga, coloque la transmisión del vehículo en Neutral (nunca en Estacionado), aplique el freno de mano del vehículo, y calce todas las ruedas.

25. NO USE EL CABRESTANTE PARA MANTENER CARGAS EN SU LUGAR. Use otras maneras de asegurar las cargas tales como las correas para atar de marca **KEEPER**. Para obtener información sobre ataduras, vaya a www.keepercorp.com

26. USE SOLAMENTE INTERRUPTORES, ADAPTADORES, CONTROLES REMOTOS Y ACCESORIOS APROBADOS POR EL FABRICANTE. El uso de componentes no aprobados por el fabricante pueden causar lesiones o daño a propiedades y podrían invalidar su garantía.

27. NO TORNEE NI SUELDE PARTE ALGUNA DEL CABRESTANTE. Dicha alteración podría debilitar la integridad estructural del cabrestante y podría invalidar su garantía.

28. Este es un cabrestante de 12 Voltios CD. **CONÉCTELO SOLAMENTE A UNA BATERÍA DE 12 VOLTIOS CD. NO CONECTE EL CABRESTANTE A CORRIENTE DE 110V NI DE 220V PUESTO QUE EL CABRESTANTE SE QUEMARÁ U OCURRIRÁ UNA DESCARGA MORTAL.** Esto anulará la garantía.

29. Nunca permita que se apliquen cargas de choque al cabrestante o al cable de acero.

30. **TENGA MUCHO CUIDADO AL JALAR UNA CARGA HACIA ARRIBA O HACIA ABAJO DE UNA RAMPA O PLANO INCLINADO.**

31. Mantenga a las personas, mascotas y la propiedad fuera del camino de izamiento, a por lo menos 24 m (80') de la parte delantera, trasera y lateral.

32. NUNCA EXCEDA LA CALIFICACIÓN DE SU ENGANCHE RECEPTOR.

Instalación del cabrestante

Se requiere instalar correctamente su cabrestante para que funcione apropiadamente. La instalación deberá ser en una superficie plana siguiendo el patrón de pernos que se muestra en la **FIGURA 1**.

Lea y siga las instrucciones cuidadosamente para asegurarse de la alineación adecuada del cabrestante y su operación sin problemas. El cabrestante **DEBE** estar montado con el cable de acero en dirección de enrollado inferior (**FIGURA 8**). **DEBE** usar solamente la pieza de reemplazo genuina del cabrestante Keeper, cable de acero número de parte 28 m X 9.5 mm (92' X 3/8") KWA14625.



ADVERTENCIA

El montaje inapropiado podría dañar su cabrestante e invalidar su garantía.



ADVERTENCIA

NO EXCEDA LA CALIFICACIÓN DE SU ENGANCHE RECEPTOR

Paso 1 Monte el cabrestante sobre la placa base del kit de montaje; se proporcionan los pernos de montaje adecuados. Si usará la Guía de rolete que se incluye, instálela ahora en la placa de montaje. Puede necesitar quitar uno o más de los rodillos de la guía de rolete para hacer pasar el cable de acero. Después de hacerlo, puede ahora fijar el gancho de abrazadera. Vea en la (Figura 8) el orden y dirección de los pernos.

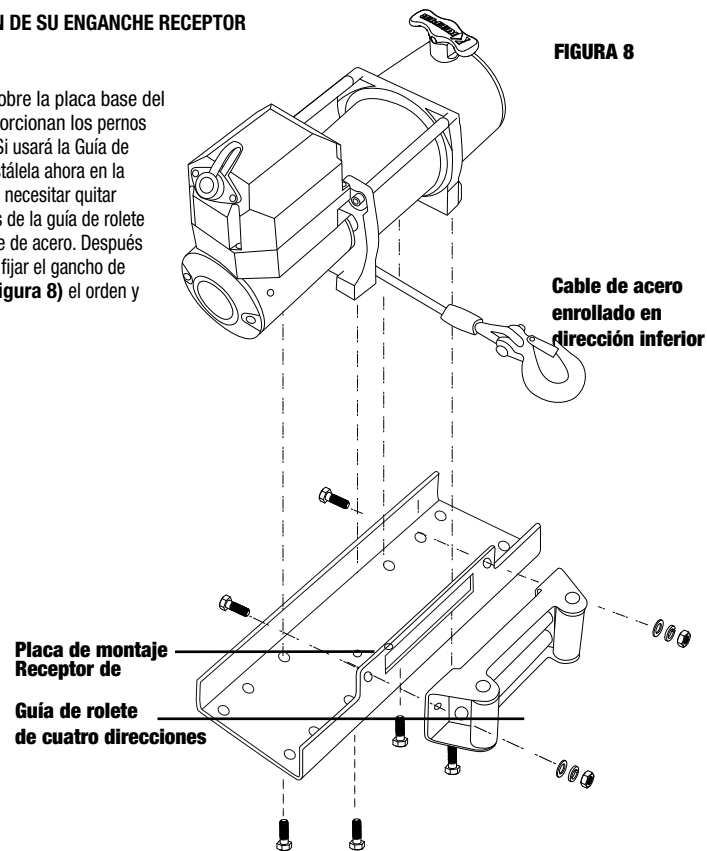


FIGURA 8

No incluye la placa de montaje (KWA14622)

ESTE PRODUCTO NO DEBE USARSE PARA LEVANTAMIENTO/ELEVACIÓN DE CARGA

ESTE PRODUCTO NO DEBE USARSE PARA LEVANTAMIENTO/ELEVACIÓN DE CARGA

Instalación del cabrestante (continuación)



ADVERTENCIA

USE SOLAMENTE TORNILLOS Y TUERCAS DE 9.5 mm (3/8") -16 UNC CON UNA GRADUACIÓN ISO MÍNIMA DE 8.8.



ADVERTENCIA

Las baterías contienen gases, que son inflamables y explosivos. **USE PROTECCIÓN PARA LOS OJOS DURANTE LA INSTALACIÓN Y QUITÉSE TODA JOYERÍA DE METAL.** No se apoye sobre la batería al hacer las conexiones.

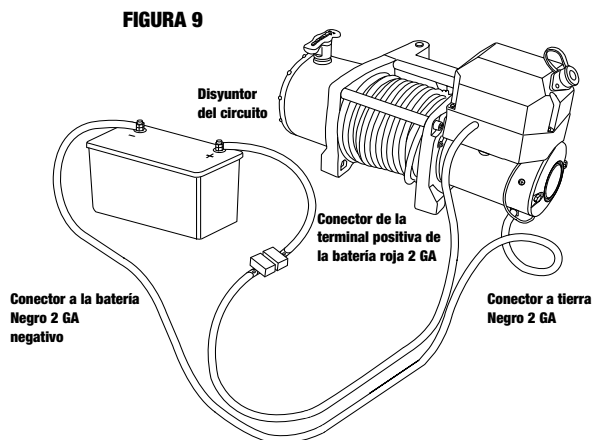


ADVERTENCIA

Asegúrese de que el arnés de cables no interfiera ni entre en contacto con cualquier parte caliente o en movimiento del motor, suspensión, dirección, freno o partes del escape.

LOS REQUISITOS ELÉCTRICOS MÍNIMOS SON UN ALTERNADOR Y BATERÍA DE 60 AMP CON UNA CAPACIDAD DE 650 CCA (AMPERAJE DE ARRANQUE EN FRÍO).

Paso 2 Siga el diagrama de conexión eléctrica (FIGURA 9). Atornille el disyuntor del circuito al extremo de la terminal del conector Rojo 2 GA de la batería que está conectado de fábrica al paquete conmutador del solenoide sellado. Ahora conecte el disyuntor del circuito a la terminal positiva de la batería.



Paso 3 Conecte el conector Negro 2 GA de la batería a la terminal negativa del motor ubicada abajo del motor y conecte también el conector Negro 2 GA de tierra del paquete de solenoide a la misma terminal negativa del motor.

Paso 4 Conecte el otro extremo de la terminal Negro 2 GA del conector de la batería a la terminal negativa de la batería. Si se requiere un arnés de cables más largo compre KWA14607.

Paso 5 Quite la cubierta contra polvo del receptáculo de la clavija e inserte la clavija del interruptor colgante manual. La clavija está codificada y podrá insertarse en el enchufe solamente de una manera. **NO LO FUERCE.**

Paso 6 Levante y gire la agarradera del embrague de desenrollado libre a la posición de Desengranar (ver FIGURA 12). Jale 1.5 m (5 pies) del cable sacándolo del tambor. Regrese la agarradera del embrague de desenrollado libre a la posición Engranar. Active el cable del cabrestante hacia adentro y hacia afuera oprimiendo momentáneamente el interruptor manual colgante para revisar la dirección de rotación del tambor. El interruptor está marcado "ADENTRO" para enrollar y "AFUERA" para desenrollar. Al liberar el interruptor, éste irá automáticamente a la posición de apagado. **SI ESTO NO OCURRE QUITE LA CLAVIJA MANUAL DEL RECEPTÁCULO.**

Si el tambor gira en la dirección incorrecta, revise el área de solución de problemas en este manual, llame para obtener ayuda al 800-533-7372 o póngase en contacto con winches@hamptonproducts.com

Paso 7 Ahora está listo para usar el cabrestante. Practique operaciones con el cabrestante desenrollando libremente el cable e izándolo con cargas ligeras. Asegúrese de que todas las vueltas estén enrolladas en forma ajustada y cercanas a la vuelta anterior. Planee algunas pruebas anticipadas y aprenda a observar y escuchar. Reconozca el sonido de un jalón estable y ligero, un jalón pesado y los sonidos causados por los tirones y cambio de posición de la carga. Eso le dará confianza. **USE SIEMPRE ANTEOJOS DE SEGURIDAD, GUANTES DE CUERO Y USE LA CORREA DE PROTECCIÓN PARA LAS MANOS (FIGURA 4).**

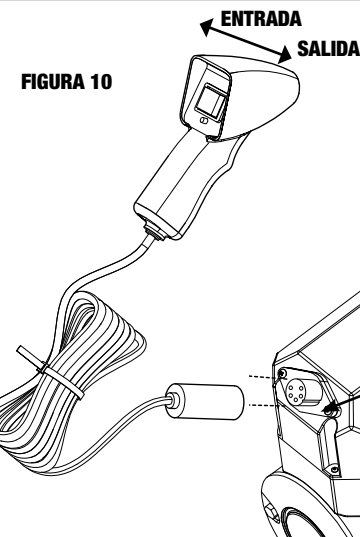
Operación de interruptor colgante

El interruptor colgante manual activa un solenoide que da paso a la corriente hacia el motor del cabrestante.

Para conectar el interruptor colgante manual, quite la cubierta del receptáculo de la clavija e inserte la clavija del interruptor remoto (ver FIGURA 10). La clavija en el cable de control colgante está codificada y podrá insertarse en el enchufe solamente de una manera.

El gatillo del interruptor regresa a la posición "Apagado" al ser liberado. Para cambiar la dirección, mueva el conmutador en la otra dirección (ver FIGURA 10).

El botón rojo activa la luz de trabajo LED.



PRECAUCIÓN

El ensamble del interruptor debe mantenerse libre de suciedad y humedad para asegurar una operación segura.

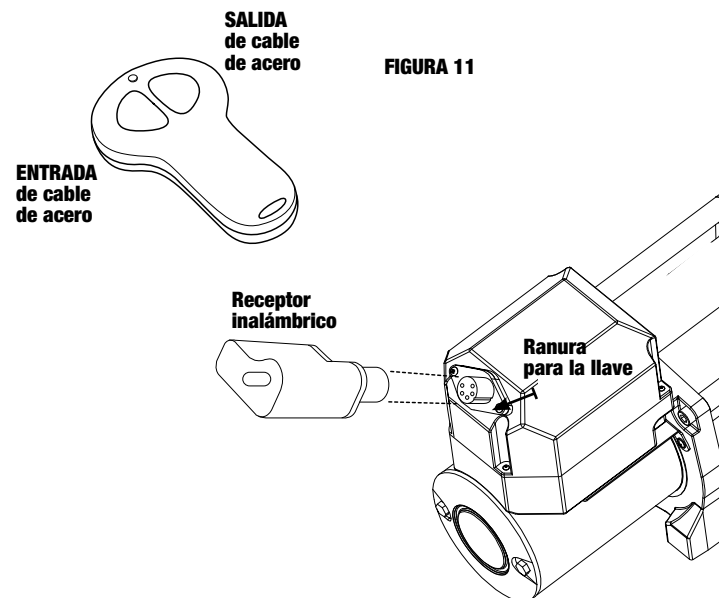
Operación inalámbrica (Control remoto KTA14126)

Inserte el receptor en la clavija de cinco espigas ubicada en la caja de control de cabrestante (en donde normalmente se conecta el control manual). Tenga cuidado de alinear la muesca codificada en el interior del receptor con la entrada de la llave en la parte exterior de la clavija (ver FIGURA 11). Está listo ahora para operar el cabrestante en forma remota.

Asegúrese de que la muesca está correctamente insertada en la entrada de la llave puesto que una mala alineación dañará la unidad e invalidará la garantía.

Tome nota que la unidad está programada para un retraso de un segundo tanto al arrancar como al detenerse. **Esto puede representar un avance de 15.24 cm a 20.32 cm (6" a 8") en el cable de acero.**

Su control remoto inalámbrico está instalado ahora. Disfrute la experiencia de usar el cabrestante con el interruptor de control remoto inalámbrico.



Operation Instructions for KTA14126 Wireless Remote
Mode d'Emploi de la Télécommande KTA14126
Instrucciones de Funcionamiento para Control Remoto Inalámbrico KTA14126

Wireless remote operation • Fonctionnement de la télécommande • Funcionamiento de control remoto inalámbrico

Your wireless remote will operate the winch from up to 100+ feet depending on weather conditions as rain, snow or fog can shorten the distance.

1. To activate the sender PRESS BOTH the "Winch In" (A) (Arrow towards the winch drum) and "Winch Out" (B) (Arrow facing away from the drum) buttons at the same time for 5 seconds or until the indicator light (C) turns red. Refer to Fig.1
2. Plug the receiver (Fig. 2) into the female plug receptacle on the top of the solenoid box on the winch (Same place you would normally plug your handheld switch control) Fig. 3
3. You are now ready to winch. When you press either the "Winch In" or "Winch Out" buttons the red indicator light (C) will flicker.

PLEASE NOTE – If the switch is not used for 5 minutes it will go into sleep mode for safety and also extend battery life. To revive the sender you will need to repeat step 1.

La télécommande fait fonctionner le treuil dans un rayon de 33+ mètres (100+ pieds) selon les conditions météorologiques telles que pluie, neige ou brouillard qui peuvent raccourcir la distance de réception des signaux.

1. Pour activer l'émetteur, APPUYER EN MÊME TEMPS sur les boutons (A) « Winch In » (Treuil – enroulement) (flèche pointant vers le tambour de treuil) et (B) « Winch Out » (Treuil – déroulement) (flèche orientée vers le côté opposé au treuil) pendant 5 secondes ou jusqu'à ce que l'indicateur lumineux (C) devienne rouge. Voir la Fig. 1
2. Enficher le récepteur (Fig. 2) sur la prise femelle située au sommet du boîtier de la bobine (solénoïde) du treuil (même endroit où brancher normalement la commande d'interrupteur manuelle) Fig. 3
3. Le treuil est alors prêt à fonctionner. L'indicateur lumineux rouge (C) clignote lorsqu'on appuie sur le bouton « Winch In » (Treuil – enroulement) ou sur le bouton « Winch Out » (Treuil – déroulement).

REMARQUE IMPORTANTE – Quand la commande d'interrupteur reste inutilisée pendant 5 minutes elle passe en mode de veille pour raisons de sécurité et de conservation des piles. Pour réactiver l'émetteur, il faut répéter l'étape 1.

Su control remoto inalámbrico hará funcionar el cabrestante desde una distancia hasta de más de 33 m (100 pies o más); dependiendo de las condiciones del tiempo, tales como lluvia, nieve o neblina, la distancia puede acortarse.

1. Para activar el emisor PULSE AMBOS botones de "Enrollar cabrestante" (A) (Flecha hacia el tambor del cabrestante) y de "Desenrollar cabrestante" (B) (Flecha en dirección opuesta al tambor) a la misma vez durante cinco (5) segundos o hasta que la lámpara indicadora (C) se ilumine en color rojo. Consulte la Fig. 1.
2. Enchufe el receptor (Fig.2) en el receptáculo hembra de enchufe situado en la parte superior de la caja de solenoides en el cabrestante (el mismo lugar donde usted normalmente enchufaría su control de conmutación manual) - Fig. 3.
3. Usted ahora está listo para hacer funcionar el cabrestante. Cuando usted pulse ya sea el botón de "Enrollar cabrestante" o el botón de "Desenrollar cabrestante, la lámpara indicadora roja se iluminará intermitentemente.

SÍRVASE TOMAR NOTA – si el conmutador no se utiliza durante cinco (5) minutos, pasará al modo de suspensión como medida de seguridad y para extender la vida de servicio de la pila. Para revivir al emisor, usted necesita repetir el paso 1.

FIG. 1

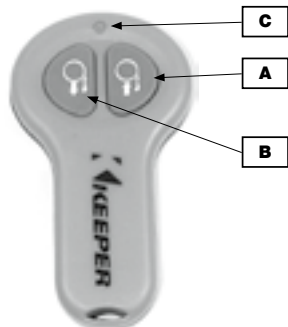
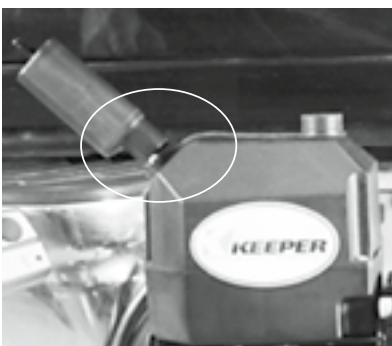


FIG. 2



FIG. 3



Operation Instructions for KTA14126 Wireless Remote
Mode d'Emploi de la Télécommande KTA14126
Instrucciones de Funcionamiento para Control Remoto Inalámbrico KTA14126

Reprogramming senders to a receiver
Reprogrammation des émetteurs vers un récepteur
Cómo reprogramar emisores para un receptor

If you ever have to replace your senders or receiver you can program the new units to function with the old units by following the procedure below.

1. Unscrew and remove the two metal screws at the plug side of the receiver. Fig. 4
2. Gently pull out the receiving assembly. Fig. 5
3. MAKE SURE THE WINCH IS IN THE FREEWHEEL POSITION
4. Plug the assembly into the female plug receptacle on top of the winch solenoid control box. The same position as shown in Fig. 3.
5. Push down on the Smart Button Fig. 6
6. As the Smart Button is depressed, first push the "Winch Out" (B in Fig.1) button in for at least 2 seconds before releasing and then push the "Winch In" (A in Fig. 1) button in for two seconds before releasing. The movement of the motor will indicate that you have successfully reprogrammed the senders.
7. Once you have determined that the units are working, unplug the receiving assembly from the control box and carefully slide it back into the housing and secure it with the two screws.
8. You are ready to use the reprogrammed Wireless. **Remember that your winch is in the freewheel position.

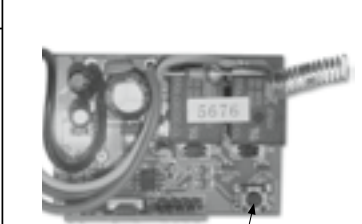
FIG. 4



FIG. 5



FIG. 6



Smart Button
Bouton intelligent
Botón inteligente

S'il est nécessaire de remplacer les émetteurs ou le récepteur, il est possible de reprogrammer les nouvelles unités pour qu'elles fonctionnent avec les unités anciennes, en suivant la procédure ci-dessous.

1. Dévisser et enlever les deux vis métalliques côté fiche du récepteur. Fig. 4
2. Tirer délicatement sur l'ensemble de récepteur. Fig. 5
3. VÉRIFIER QUE LE TREUIL EST EN POSITION NEUTRE (ROUE LIBRE)
4. Enficher l'ensemble sur la prise femelle située au sommet du boîtier de la bobine de commande du treuil. Même position que l'illustration de la Fig. 3.
5. Appuyer sur le Bouton intelligent. Fig. 6
6. Quand le Bouton intelligent est enfoncé, appuyer d'abord sur le bouton « Winch Out » (Treuil – déroulement) (B de la Fig. 1) pendant au moins 2 secondes avant de le relâcher, puis enfoncer le bouton « Winch In » (Treuil – enroulement) (A de la Fig. 1) pendant 2 secondes avant de le relâcher. Le mouvement du moteur indique que la programmation des émetteurs est réussie.
7. Quand le bon fonctionnement des unités a été vérifié, débrancher l'ensemble de récepteur du boîtier de commande et le replacer délicatement dans l'enceinte en l'y faisant glisser et le fixer avec les deux vis.
8. La télécommande reprogrammée est alors prête à l'emploi. **Il faut se rappeler que le treuil est en position neutre (roue libre)

Si en alguna ocasión usted tuviera que reemplazar sus emisores o receptor, usted puede programar las nuevas unidades para que funcionen con las unidades antiguas al seguir el siguiente procedimiento dado abajo.

1. Desatornille y desmonte los dos tornillos de metal situados en el lado de enchufe del receptor - Fig. 4.
 2. Jale cuidadosamente el ensamblaje receptor - Fig. 5.
 3. ASEGÚRESE QUE EL CABRESTANTE SE ENCUENTRE EN LA POSICIÓN DE GIRO LIBRE
 4. Enchufe el ensamblaje en el receptáculo hembra de enchufe situado sobre la parte superior de la caja de control de solenoides del cabrestante. La misma posición tal como se muestra en la Fig. 3.
 5. Pulse sobre el "Botón inteligente" - Fig. 6.
 6. Mientras se tiene pulsado el Botón inteligente, primero pulse el botón de "Desenrollar cabrestante" (B en la Fig. 1) durante cuando menos dos (2) segundos antes de soltarlo, y luego pulse el botón de "Enrollar cabrestante" (S en la Fig. 1) durante cuando menos dos (2) segundos antes de soltarlo. El movimiento del motor le indicará que usted ha reprogramado exitosamente los emisores.
 7. Una vez que haya determinado que las unidades están funcionando, desenchufe el ensamblaje receptor de la caja de control y deslicelo con cuidado otra vez dentro de la carcasa y asegúrelo con los dos tornillos.
 8. Ya está usted listo para usar el Control remoto inalámbrico.
- ** Recuerde que su cabrestante está en la posición de giro libre.

Operación de desenrollado libre

1. Levante y gire la palanca del embrague a la posición "desengranada" como se muestra en la **Figura 12**. Si hay una carga en el cable de acero, la palanca del embrague puede no girar fácilmente. **NO FUERCE LA PALANCA DEL EMBRAGUE**. Libere la tensión en el cable de acero sacando un poco del cable, y luego trate de liberar el embrague.
2. Jale el cable de acero y asegure al ancla o la carga.
3. Verifique que haya por lo menos cinco (5) vueltas de cable de acero en el tambor.
4. Vuelva a engranar el tambor levantando y girando la palanca del embrague a la posición "engranada", aplicando la fuerza para engranar el embrague (ver **Figura 12**).

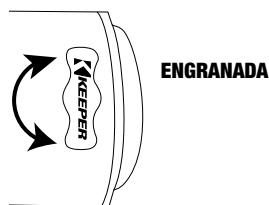
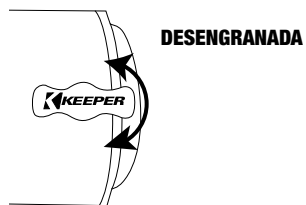


FIGURA 12



PRECAUCIÓN

La palanca deberá estar en posición engranada y bloqueada antes del izamiento.

Operación del freno

Su cabrestante tiene incorporado un freno automático de retención de la carga. Después de izar una carga, este mecanismo sostiene la carga, hasta la capacidad calificada del cabrestante. Al jalar la carga, el cabrestante controla el cambio de la velocidad aplicando el freno en proporción con la cantidad de carga en el cable de cabrestante. Esto resulta en que las cargas más pesadas sean desenrolladas más lentamente que las cargas ligeras.

De manera similar a la que los frenos de fricción en su automóvil pueden generar calor si se usan por un largo periodo de tiempo, el freno del cabrestante puede generar calor si se utiliza para desenrollar una carga por un largo periodo de tiempo.

Para asegurar el desempeño óptimo del cabrestante, siempre limite el desenrollamiento de una carga a 2 minutos y permita que el freno se enfríe durante 15 minutos antes de continuar el uso del cabrestante.

Bajo el uso normal, el mecanismo del freno no debería requerir ningún ajuste. Si el freno no fuera capaz de sostener una carga o mantener una velocidad constante durante una operación de desenrollamiento, el resorte del freno podría estar gastado y requerir que se reemplace.

PARA INFORMACIÓN SOBRE REPUESTOS POR FAVOR VAYA AL SITIO www.keeperwinches.com, winches@hamptonproducts.com, O LLAME A SERVICIO AL CLIENTE AL 1-877-533-7372

Para extender la vida de su cabrestante

1. **MANTENGA EL TAMBOR CON EL CABLE DE ACERO ENROLLADO EN FORMA AJUSTADA.** Mantenga el cable de acero enrollado firme y uniformemente en el tambor en todo momento. No permita que el cable de acero enredado se afloje. Un tambor con el cable flojo permite que un cable que tenga carga se vaya metiendo entre las capas inferiores de cable en el tambor. Cuando esto ocurre, el cable puede quedar incrustado en el cuerpo de las vueltas, dañando el cable. Es una buena práctica embobinar de nuevo el cable de acero bajo tensión después de cada uso. Aplique tensión usando una correa de protección para la mano (**FIGURA 3**) y SIEMPRE utilice anteojos de seguridad y guantes de cuero.
2. **NO PERMITA QUE EL MOTOR DEL CABRESTANTE SE SOBRECALIENTE.** Mantenga la duración de los izamientos tan breve como sea posible. Si el motor se vuelve notablemente caliente al tacto, detenga el izamiento y permita que el motor se enfríe. Durante el descanso para enfriamiento **MANTENGA ENCENDIDO EL MOTOR DEL VEHÍCULO PARA QUE LA BATERÍA SE RECARGUE.**
3. **USE UN BLOQUE DE POLEAS PARA CARGAS PESADAS.** Para maximizar la duración del cabrestante y el cable de acero, use un bloque de poleas (no incluido) para poner línea doble a las cargas pesadas. (ver **FIGURA 3**) Para el máximo desempeño use un bloque de poleas si la carga es más del 75% de la capacidad calificada del cabrestante. Para el KW7.5RM utilice un bloque de poleas una vez que exceda los 4,581 kg (10,100 lbs.). Use siempre un bloque de poleas (para pieza número **Contacte Keeper Winch**) que tenga una calificación del doble del cabrestante.

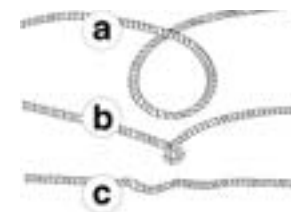


PRECAUCIÓN

Si el motor del cabrestante se detiene, no siga aplicando energía.

FIGURA 13

4. El jalón necesario para iniciar el movimiento de una carga es mucho más grande que el jalón necesario para que se siga moviendo. **EVITE LAS PARADAS Y ARRANQUES FRECUENTES DURANTE EL IZAMIENTO.**
5. **PREVENGA DOBLECES EN EL CABLE DE ACERO ANTES DE QUE OCURRAN (FIGURA 13).**



- a. Este es el inicio de un doblez. El cable de acero deberá ser enderezado.
- b. El cable de acero fue jalado y el bucle se ha apretado para formar un doblez. El cable de acero está ahora dañado permanentemente y **DEBE** ser reemplazado.
- c. El resultado de los dobleces es que cada hilo jala con una fuerza diferente causando que los hilos con mayor tensión se rompan y reduzca la capacidad de carga del cable de acero. El cable de acero **DEBE** ser reemplazado. Use solamente la pieza de reemplazo genuina del cabrestante Keeper, número de parte **KWA14625 28 m X 9.5 mm (92' X 38")**.

Contacte a: winches@hamptonproducts.com para ordenar.

Para reemplazar el cable de acero



ADVERTENCIA

Nunca sustituya un cable de acero más pesado o más ligero. Nunca use cuerdas de otro material que no sea cables de acero.

Use solamente el cable de acero de reemplazo Keeper 28 m X 9.5 mm (92' x3/8") **KWA14625**.

Fije el cable de acero al tambor usando el tornillo provisto (**FIGURA 14**).

Tambor del cabrestante

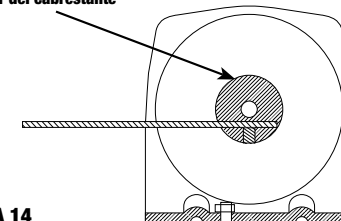


FIGURA 14

Mantenimiento y reparación



ADVERTENCIA

Antes de cada uso, revise si los pernos de montaje están ajustados, e inspeccione si el cable está dañado. Inspeccione el ensamble del control remoto buscando cualquier daño. Periódicamente utilice una toalla limpia y seca para retirar la suciedad y residuos de la carcasa del cabrestante.

Lubricación: La caja de engranes está lubricada permanentemente. No intente desarmar la caja de engranes. Esto anulará la garantía.

Solución de problemas

Si se presenta un problema, **NO DEVUELVA AL VENDEDOR** llame a Servicio al cliente de cabrestantes de Keeper® al 800-533-7372 o envíe un correo electrónico a winches@hamptonproducts.com.

Síntoma	Causas posibles	Acción correctiva
El motor no funciona o corre solamente en una dirección	<ol style="list-style-type: none"> 1. Alambres rotos o mala conexión a la batería 2. El interruptor no funciona 3. Cabrestante dañado 4. Solenoide dañado 5. Mal funcionamiento del disyuntor del circuito 	<ol style="list-style-type: none"> 1. Verificar si hay una conexión o conexiones inadecuadas y que todo el cableado esté ajustado y limpio 2. Revisar que los cables del interruptor estén conectados adecuadamente al solenoide 3. Reemplazar o reparar 4. Reemplazar solenoide 5. Reemplazar disyuntor del circuito
El motor funciona muy caliente	<ol style="list-style-type: none"> 1. Largo periodo de operación 2. Dañado durante la operación 	<ol style="list-style-type: none"> 1. Permitir que se enfríe 2. Reemplazar o reparar
El motor funciona pero con potencia o velocidad de línea insuficiente	<ol style="list-style-type: none"> 1. Batería débil/baja 2. Cable de batería a cabrestante muy largo 3. Mala conexión a la batería 4. Mala conexión a tierra 5. Motor dañado 	<ol style="list-style-type: none"> 1. Recargar o reemplazar la batería. Verificar el sistema de carga. 2. Usar solamente los cables provistos. Se requiere un aumento en la longitud, reducir el tamaño del cable a 2 o 3 AWG. 3. Revisar si las terminales de la batería tienen corrosión. Limpiar si se requiere. 4. Verificar y limpiar las conexiones 5. Reemplazar o reparar
El motor funciona pero el tambor no gira	Embrague no engranado	Engranar el embrague
El cabrestante funciona al revés	<ol style="list-style-type: none"> 1. Cables de la batería invertidos 2. Cables del interruptor invertidos 3. Interruptor instalado incorrectamente 	<ol style="list-style-type: none"> 1. Volver a verificar el cableado 2. Volver a verificar el cableado 3. Verificar la instalación del interruptor

GARANTÍA LIMITADA: Hampton Products International Corporation garantiza este producto de acuerdo con las provisiones siguientes: Los componentes mecánicos están garantizados de estar libres de defectos de materiales y mano de obra durante la vida del cabrestante. Los componentes eléctricos están garantizados de estar libres de defectos de materiales y mano de obra durante un año. Si ocurre un defecto en el material o mano de obra, llame al 800-533-7372 para recibir instrucciones de cómo reparar o reemplazar el producto. Esta garantía se aplica solamente al comprador/consumidor original de los productos desde la fecha de compra del producto. Los productos defectuosos que sean devueltos se vuelven propiedad del fabricante. Limitaciones de la garantía: Las siguientes limitaciones aplican a la garantía: (a) La garantía se aplica solamente a productos que están defectuosos en materiales o mano de obra. Esta garantía no cubre el desgaste normal. Esta garantía no cubre cargos de servicio o mano de obra en los que se incurra al remover o reemplazar cualquier producto. (b) Esta garantía no cubre el esmalte del cabrestante ni el cable de acero. Así pues, el fabricante no reemplazará, reparará ni reesmaltará cualquier producto cuando el esmaltado del producto esté desgastado de cualquier manera. (c) Esta garantía no es extensiva a productos que estén dañados o que fallen como resultado de que el producto sufra abuso, descuido, o sea usado indebidamente de cualquier manera, o como resultado de un accidente, o que fue mal aplicado, sobrecargado, instalado inadecuadamente, o alterado de cualquier forma por cualquier otra persona que no sea el fabricante o sus agentes o representantes.

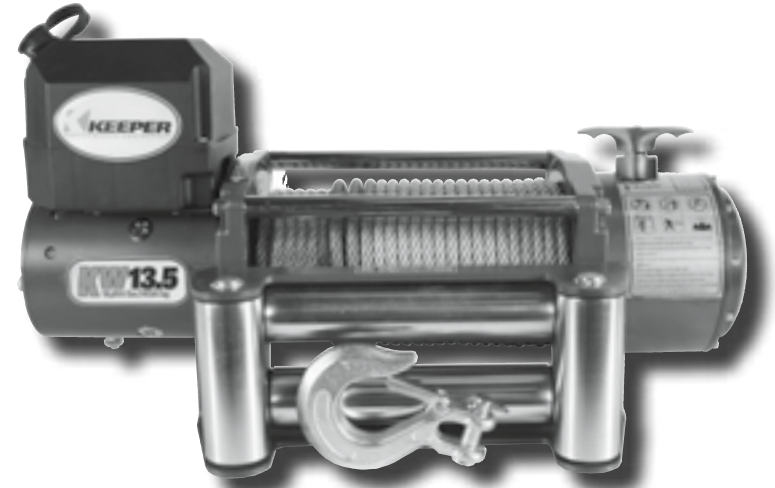
Obligaciones del comprador/consumidor. Para obtener los beneficios de esta garantía, el comprador/consumidor deberá devolver el/los producto(s) defectuosos, con flete pagado junto con una prueba de compra dentro del periodo de garantía desde la fecha de compra a Hampton Products o a un centro de servicio autorizado.

Derechos legales y limitaciones del comprador/consumidor. **ESTA GARANTÍA LE DA DERECHOS LEGALES ESPECÍFICOS Y USTED PUEDE TENER TAMBIÉN OTROS DERECHOS QUE VARIAN DE ESTADO A ESTADO EN LOS EE.UU.. CUALQUIER GARANTÍA IMPLICADA DE COMERCIABILIDAD O IDONEIDAD PARA UN PROPÓSITO PARTICULAR DE CUALQUIER PRODUCTO ESTARÁ LIMITADA A LOS TÉRMINOS DE GARANTÍA DESDE LA FECHA DE COMPRA AL MENÚ PARA EL COMPRADOR ORIGINAL. ALGUNOS ESTADOS ESTADOUNIDENSES NO PERMITEN LIMITACIONES.**

Hampton Products International Corp.
50 Icon
Foothill Ranch, CA 92610 USA
800-533-7372
www.keeperwinches.com o winches@hamptonproducts.com

ESTE PRODUCTO NO DEBE USARSE PARA LEVANTAMIENTO/ELEVACIÓN DE CARGA

KEEPER
PERFORMANCE ENGINEERED™
TREUILS



Instructions d'assemblage et d'utilisation KW13.5

Treuil électrique 6 124 kg (13 500 lb) 12 V c.c.

⚠ ATTENTION ! ⚠

LISEZ ET ASSUREZ-VOUS DE COMPRENDRE CE MANUEL AVANT L'INSTALLATION ET L'UTILISATION DE CE PRODUIT.

**NE RETOURNEZ PAS CE PRODUIT AU MAGASIN.
POUR OBTENIR DE L'ASSISTANCE, CONTACTEZ LE SERVICE À LA
CLIENTÈLE DU TREUIL KEEPER AU 800-533-7372**

Hampton Products International Corp.
50 Icon
Foothill Ranch, CA 92610
800-533-7372
www.keeperwinches.com ou winches@hamptonproducts.com

Treuil électrique KW13.5 6 124 kg (13 500 lb) 12 V c.c.

Conçu pour des manœuvres de récupération et pour applications de treillage d'utilité générale.
LE PRODUIT N'EST PAS CONÇU POUR SOULEVER/LEVER

Consignes de sécurité



VEUILLEZ LIRE TOUTES LES CONSIGNES DE SÉCURITÉ ET LES AVERTISSEMENTS AVANT D'INSTALLER ET D'UTILISER LE TREUIL ! SI VOUS AVEZ DES QUESTIONS, VEUILLEZ ENVOYER UN MESSAGE À WINCHES@HAMPTONPRODUCTS.COM OU APPELEZ AU 1-800-533-7372

Les rubriques Danger, Avertissement, Mises en garde et Instructions figurant dans ce manuel d'utilisation ne peuvent couvrir toutes les situations et conditions possibles qui peuvent se présenter. L'opérateur doit comprendre que le bon sens et la prudence sont des facteurs qui ne peuvent être intégrés au produit, mais dont l'opérateur doit faire preuve.



DANGER

Indique un risque imminent de situation dangereuse qui, si elle n'est pas évitée, entraînera la mort ou de graves blessures.



AVERTISSEMENT

Indique une situation potentiellement dangereuse qui, si elle n'est pas évitée, pourrait entraîner la mort ou de graves blessures.



MISE EN GARDE

Indique une situation potentiellement dangereuse qui, si elle n'est pas évitée, peut entraîner une blessure mineure ou modérée. Cette notation est également utilisée pour mettre en garde contre des pratiques non sécuritaires.

Remarque : Indique des renseignements supplémentaires concernant les procédures d'installation et de fonctionnement du treuil.

Introduction

Merci d'avoir acheté un treuil KEEPER®.

VEUILLEZ LIRE TOUTES LES INSTRUCTIONS EN ACCORDANT UNE ATTENTION PARTICULIÈRE AUX CONSIGNES DE SÉCURITÉ.

Le treuil KEEPER® a été conçu et fabriqué pour offrir des années de service sans problème. Si vous n'êtes pas satisfait, pour une raison ou pour une autre, veuillez contacter le service à la clientèle au 800-533-7372, ou visiter notre site Web : www.keeperwinches.com or contact_winches@hamptonproducts.com. Lorsque vous demandez de l'information concernant le treuil, veuillez fournir les renseignements suivants : Numéro de pièce du treuil _____ et numéro de série _____. (Veuillez inscrire ces renseignements ici pour référence future.) (Indiqués sur le bâti du moteur) Veuillez lire et vous assurer de comprendre ce manuel d'utilisation avant d'installer et d'utiliser le produit.

PORTEZ UNE ATTENTION PARTICULIÈRE AUX RENSEIGNEMENTS GÉNÉRAUX SUR LA SÉCURITÉ.

Votre treuil est une machine puissante. Une mauvaise utilisation ou une utilisation non sécuritaire peut entraîner des dommages aux biens et/ou des blessures personnelles. Votre sécurité dépend en bout de ligne de votre prudence lors de l'utilisation de ce produit.

LE PRODUIT N'EST PAS CONÇU POUR SOULEVER/LEVER

Conserver ce manuel

Vous aurez besoin de ce manuel pour consulter les avertissements de sécurité et les mises en garde, les instructions d'assemblage, la procédure d'utilisation, les procédures d'entretien, le guide de dépannage, la liste des pièces et les schémas. Conservez votre facture avec ce manuel. Inscrivez le numéro de facture à l'intérieur du plat de dessus. Conservez ce manuel ainsi que votre facture dans un endroit sec et protégé aux fins et de référence future.

SPÉCIFICATIONS KW13.5

Numéro de pièce :	KW13122 – commutateur à distance, sans fil
Traction nominale :	6 124 kg, 13 500 lb
Moteur - enroulements en série :	4,5 HP 12 V c.c.
Commande :	Interrupteur à main suspendu avec fil de 4,57 m (15 pi) et lampe à haute densité intégrée
Commutation :	Ensemble solénoïde scellé intégré à usage intensif et KTA14126 sans fil
Train d'engrenages :	Train planétaire 3 niveaux haute-efficacité
Démultiplication :	265:1
Embrayage (décrabotage) :	Soulevez et tournez
Freins :	Mécanique automatique
Câble métallique :	28,00 m (92 pi) de fil d'acier galvanisé de 9,5 mm (3/8 po) de diamètre avec manchon en boucle, crochet de levage à chape à verrouillage et zone rouge d'avertissement.
Diamètre/longueur du tambour :	Diamètre – 63,5 mm (2,5 po) / Longueur – 224 mm (8,8 po)
Guide-câbles :	Rouleau 4 directions
Fils de batterie :	Câbles conducteurs de batterie - 2 GA (2,573 mm) x 1,83 m (72po)
Batterie :	Minimum 650 ADF
Application :	Récupération de charge d'utilité générale/remorque, camion, tracteur, équipement
Fini :	Revêtement à base de poudre grise brillante éclatante par-dessus un revêtement anticorrosion
Poids :	48 kg / 106 lb
Garantie :	limitée

Dimensions du treuil et schéma de pose des boulons de fixation

FIGURE 1

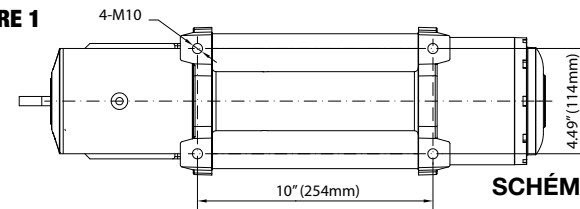
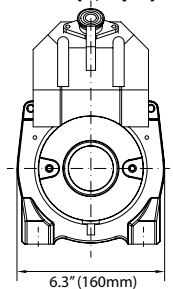
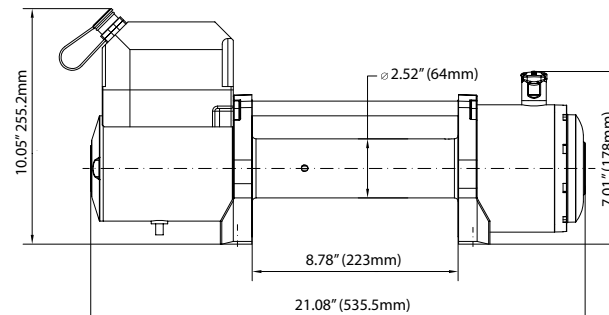


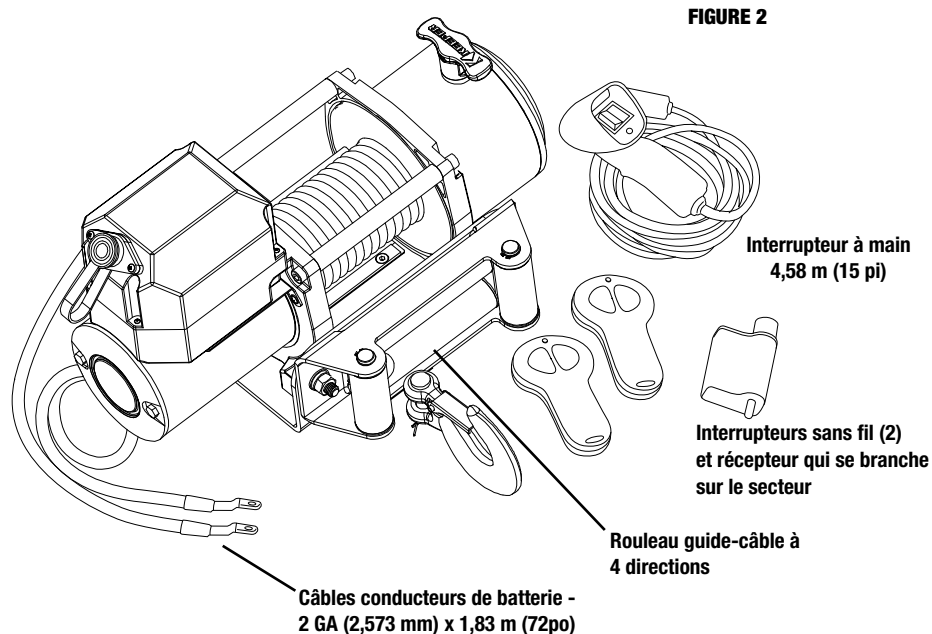
SCHÉMA DE POSE DES BOULONS DE FIXATION
254 mm (10 po) x 114 mm (4,5 po)



LE PRODUIT N'EST PAS CONÇU POUR SOULEVER/LEVER

Description générale

Ce treuil KEEPER® est équipé d'un moteur à enroulements série de 12 V c.c. et est conçu pour **UN USAGE GÉNÉRAL INTERMITTENT**. Ce treuil électrique, tout comme la plupart des outils entraînés par moteur électrique, ne doit pas surchauffer. Arrêtez le treuil si le moteur commence à forcer ou si l'extrémité du moteur devient chaude au toucher. Arrêtez de treuiller et laissez refroidir le moteur. Les exigences électriques minimales sont un alternateur de 60 a et une batterie d'une capacité minimale de 650 ADF (intensité du courant électrique au démarrage à froid). Ce treuil (FIGURE 2) n'est pas prévu pour des applications de levage et le fabricant ne garantit pas sa convenance à cet usage. L'embrayage de débrayage désenclenche la boîte d'engrenages pour permettre de tirer le câble métallique sans utiliser la puissance électrique. Un interrupteur à distance avec fil de 4,57 m (15 pi) et interrupteur sans fil permet une grande variété d'options de montage.



PERFORMANCE 12 V CC

Force de traction kg (lb)	Vitesse de traction m/s (pi/s)	Ampères du moteur	Traction par tranche de kg (lb)
0	30 (9)	70	1 à 13,500 (6124)
4000 (1814)	9.5 (2.9)	195	2 à 11,745 (3580)
6000 (2722)	7.5 (2.3)	240	3 à 10,218 (3115)
8000 (3629)	5.8 (1.8)	310	4 à 8,890 (2710)
10000 (4536)	4.4 (1.3)	345	
13500 (6124)	3 (.9)	400	

Capacité de roulement de charge (1^{re} couche)

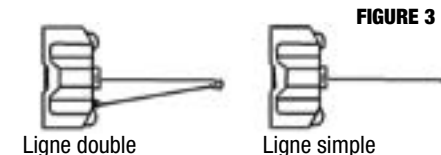
PENTE*	10 % (5,7°)	20 % (9°)	40 % (18°)	60 % (27°)	100 % (45°)
Lbs.	67,838	46,130	28,926	22,460	17,415
Kgs.	30,771	20,924	15,921	10,188	7,900

*PENTE : une augmentation de 30,48 cm (1 pi) sur 305,8 cm (10 pi) de longueur équivaut à une PENTE de 10 %. Une pente de 10 % est égale à un angle d'inclinaison de 5,7°. Une pente de 100 % est égale à un angle d'inclinaison de 45°.

⚠ Avertissements de sécurité généraux et mises en garde ⚠

1. LISEZ ET ASSUREZ-VOUS DE COMPRENDRE CE MANUEL AVANT D'UTILISER LE TREUIL. Après avoir installé le treuil, faites quelques essais avant de l'utiliser. **NE LAISSEZ JAMAIS DES PERSONNES NON FAMILIARISÉES AVEC CE PRODUIT UTILISER CE PRODUIT. PORTEZ TOUJOURS DES LUNETTES DE SÉCURITÉ ET DES GANTS DE CUIR PENDANT QUE VOUS TRAVAILLEZ AVEC DE LA MACHINERIE.**

2. NE DÉPASSEZ PAS LA VALEUR NOMINALE DU TREUIL. NE SURCHARGEZ PAS ! N'ESSAYEZ PAS DE TIRER DE LOURDES CHARGES SUR UNE LONGUE DISTANCE ! Les surcharges peuvent endommager le treuil et le câble métallique et créer des conditions d'utilisation non sécuritaires. **POUR LES CHARGES DÉPASSANT 75 % DE LA CAPACITÉ NOMINALE DU TREUIL, NOUS RECOMMANDONS L'UTILISATION D'UNE MOUFLE AFIN DE DOUBLER LE CÂBLE MÉTALLIQUE (Figure 3).** Cela permet de réduire la charge sur le treuil, la tension sur le câble métallique et sur le réseau électrique.



3. N'appliquez jamais une charge au treuil lorsque le câble est complètement déroulé. Gardez au moins 5 tours sur le tambour du treuil.

4. LE MOTEUR DU VÉHICULE DEVRAIT ÊTRE EN MARCHÉ PENDANT LE FONCTIONNEMENT DU TREUIL. Si le treuillage est effectué alors que le moteur n'est pas en marche, la batterie pourrait être trop faible pour redémarrer le moteur.

5. NE FAITES PAS fonctionner votre véhicule de sorte à aider le treuil à tirer la charge. La combinaison du treuil et du véhicule tirant ensemble pourrait surcharger le câble métallique et le treuil.

6. PENDANT L'UTILISATION DU TREUIL, TENEZ-VOUS TOUJOURS LOIN DU CÂBLE MÉTALLIQUE, DU CROCHET ET DU TREUIL.



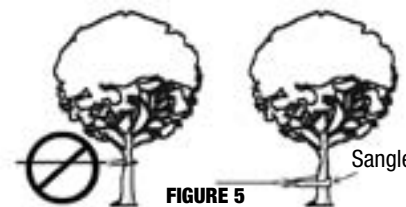
7. INSPECTEZ FRÉQUEMMENT LE CÂBLE MÉTALLIQUE ET L'ÉQUIPEMENT. UN CÂBLE MÉTALLIQUE EFFILOCHÉ, ENTORTILLÉ OU APLATI DOIT ÊTRE REMPLACÉ IMMÉDIATEMENT. Vérifiez périodiquement l'installation du treuil pour vous assurer que tous les boulons sont bien serrés.

8. PORTEZ DES GANTS DE CUIR ÉPAIS pour manipuler le câble métallique. **NE LAISSEZ PAS GLISSER LE CÂBLE MÉTALLIQUE DANS VOS MAINS QUE VOUS PORTIEZ DES GANTS OU NON. UTILISEZ TOUJOURS LA COURROIE PROTÈGE-MAIN** pour guider l'enroulement ou le déroulement du câble métallique (Figure 4).

9. NE TREUILLEZ JAMAIS AVEC MOINS DE 5 SPIRES DE CÂBLE MÉTALLIQUE AUTOUR DU TAMBOUR DU TREUIL, car l'attache d'embout du câble métallique pourrait **NE PAS** résister à la pleine charge.

10. TENEZ-VOUS À L'ÉCART DU TREUIL, DU CÂBLE MÉTALLIQUE TENDU ET DU CROCHET LORSQUE VOUS UTILISEZ LE TREUIL. NE MARCHEZ JAMAIS SUR LE CÂBLE MÉTALLIQUE TENDU.

11. N'ACCROCHEZ JAMAIS LE CROCHET SUR LE CÂBLE MÉTALLIQUE LUI-MÊME. Cela pourrait endommager le câble métallique. Utilisez une **COURROIE DE TREUIL KEEPER 02953 7,62 cm x 1,83 m (3 po x 6 pi)**, une sangle, un protège-arbre ou tout autre accessoire recommandé pour ce type raccord (Figure 5).



12. N'UTILISEZ JAMAIS LE TREUIL POUR SOULEVER OU DÉPLACER DES PERSONNES !

13. CE TREUIL N'EST PAS CONÇU POUR DES APPLICATIONS DE LEVAGE.

14. ÉVITEZ LA TRACTION CONTINUE À PARTIR D'ANGLES EXTRÊMES. Cela causerait un empiement du câble métallique et un blocage dans le treuil, entraînant des dommages au câble métallique ou au treuil (Figure 6).

▲ Avertissements de sécurité généraux et mises en garde (suite) ▲

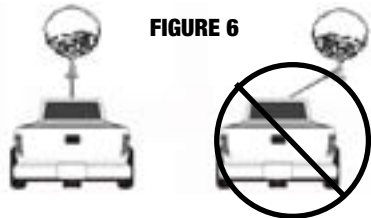
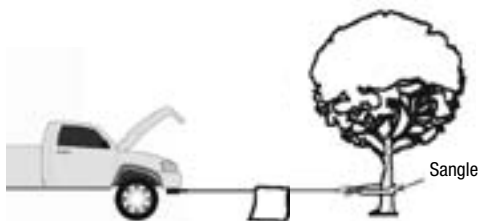


FIGURE 6

FIGURE 7



21. **NE FAITES PAS FONCTIONNER LE TREUIL ALORS QUE VOUS ÊTES SOUS L'INFLUENCE DE MÉDICAMENTS OU D'ALCOOL.**
22. **DÉBRANCHEZ TOUJOURS LES FILS D'ALIMENTATION DU TREUIL À LA BATTERIE AVANT DE TRAVAILLER SUR LE TAMBOUR DU TREUIL OU AUX ALENTOURS** de sorte que le treuil ne puisse être mise en marche accidentellement.
23. Lorsque vous déplacez une charge, enroulez lentement le câble métallique lâche jusqu'à ce qu'il soit tendu. Arrêtez, revérifiez toutes les connexions de treuillage. Assurez-vous que le crochet est bien en place. Si vous utilisez une sangle en nylon, vérifiez la fixation à la charge.
24. Si vous utilisez un treuil monté sur un véhicule pour déplacer une charge, placez la transmission du véhicule à neutre (jamais en position de stationnement), enclenchez le frein à main du véhicule et calez toutes les roues.
25. **N'UTILISEZ PAS LE TREUIL POUR MAINTENIR DES CHARGES EN PLACE.** Utilisez d'autres moyens pour attacher les charges tels que les sangles d'arrimage de marque **KEEPER**. Pour des renseignements sur les sangles d'arrimage, consultez www.keepercorp.com.
26. **UTILISEZ SEULEMENT DES INTERRUPTEURS, ADAPTATEURS, COMMANDES À DISTANCE ET ACCESSOIRES D'ORIGINE.** L'utilisation de composants non d'origine peut entraîner des blessures ou des dommages aux biens et pourrait annuler la garantie.
27. **N'USINEZ PAS ET NE SOUDEZ PAS DE PIÈCES DU TREUIL.** Une telle altération peut affaiblir l'intégrité structurelle du treuil et pourrait annuler la garantie.
28. Ceci est un treuil de 12 V c.c. **RACCORDEZ SEULEMENT À UNE BATTERIE DE 12 V C.C. NE RACCORDEZ PAS LE TREUIL À UN COURANT ALTERNATIF DE 110 V OU 220 V CAR LE TREUIL GRILLERAIT ET UN CHOC FATAL POURRAIT SE PRODUIRE.** Cela annulerait votre garantie.
29. Ne laissez jamais de charges accidentelles être appliquées au treuil ou au câble métallique.
30. **FAITES PREUVE D'UNE EXTRÊME PRUDENCE SI VOUS TREUILLEZ UNE CHARGE SUR UNE RAMPE OU UN PLAN INCLINÉ.**
31. Tenez les personnes, les animaux de compagnie et les biens éloignés d'au moins 24 m (80 pi) du devant, de l'arrière et des côtés du trajet de treuillage.
32. **NE DÉPASSEZ JAMAIS LA VALEUR NOMINALE DE L'ATTELAGE.**

15. NE CACHEZ JAMAIS LES ÉTIQUETTES D'AVERTISSEMENT SUR LE TREUIL.

16. Il est fortement recommandé d'étendre un tissu épais (tel qu'une couverture ou une bâche) par-dessus le câble métallique lorsque vous tirez des charges lourdes (**Figure 7**). En cas de bris du câble métallique, le tissu servira d'amortisseur et contribuera à empêcher le câble de fouetter. Si le treuil est monté à l'avant d'un véhicule, soulevez alors le capot pour une protection accrue.

17. Lorsque vous utilisez le treuil, vous devez toujours avoir une vue non cachée de l'opération de treuillage.

18. Les pièces d'équipements tels que les cochetts, les mouffes, les courroies, etc. devraient toujours être de dimensions adaptées à la capacité du treuil et être inspectées périodiquement pour détecter tout dommage qui pourrait en réduire la force.

19. **NE LIBÉREZ JAMAIS LA MANETTE EMBRAYAGE LORSQU'IL Y A UNE CHARGE SUR LE TREUIL.**

20. **NE TRAVAILLEZ JAMAIS SUR LE TAMBOUR DU TREUIL OU AUX ALENTOURS PENDANT QUE LE CÂBLE MÉTALLIQUE DU TREUIL EST SOUS CHARGE.**

Installation du treuil

Une installation adéquate du treuil est nécessaire pour assurer le bon fonctionnement. L'installation doit être effectuée sur une surface plate en suivant le modèle de pose des boulons illustré à la **FIGURE 1**.

Lisez et suivez soigneusement les instructions pour vous assurer d'un bon alignement du treuil et d'un fonctionnement sans problème. Ce treuil **DOIT** être monté avec le câble enroulé par-dessous (**FIGURE 8**). Vous **DEVEZ** utiliser uniquement le câble métallique de rechange original du treuil Keeper N° KWA14625 30,5 m x 8,33 mm (92 pi x 3/8 po).

▲ AVERTISSEMENT ▲

Une fixation mal effectuée pourrait endommager le treuil et annuler la garantie.

▲ AVERTISSEMENT ▲

NE PAS DÉPASSER LA VALEUR NOMINALE DE L'ATTELAGE RÉCEPTRICE

Étape 1 Fixez le treuil à la plaque de la trousse de fixation, les boulons de fixation appropriés sont fournis. Si vous utilisez les rouleaux guide-câble inclus, installez-les maintenant à la plaque de fixation. Vous devrez peut-être enlever un ou plusieurs rouleaux du guide pour y passer le câble métallique. Après cette étape, vous pouvez attacher le crochet de levage à chape. Consultez la **Figure 8** pour connaître l'ordre et la direction des boulons.vv

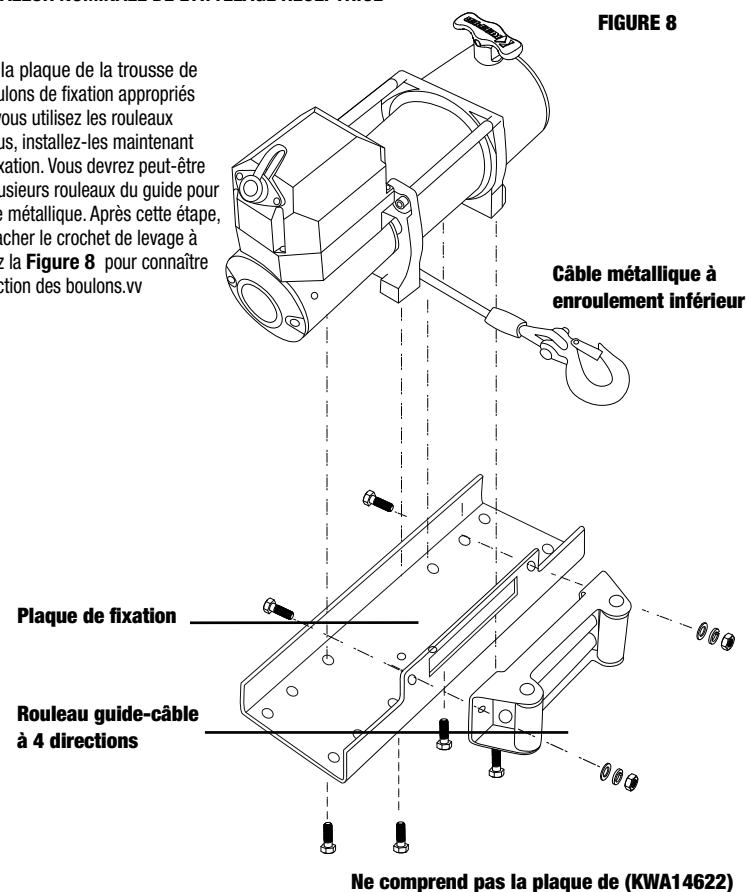


FIGURE 8

Installation du treuil (suite)



AVERTISSEMENT

UTILISEZ UNIQUEMENT DES BOULONS ET ÉCROUS DE 9,5 mm (3/8 PO) -16 UNC DE GRADE MINIMAL 8.8 ISO.



AVERTISSEMENT

Les batteries contiennent des gaz qui sont inflammables et explosifs. **PORTEZ DES LUNETTES DE SÉCURITÉ PENDANT L'INSTALLATION ET ENLEVEZ TOUT BIJOU MÉTALLIQUE.** Ne vous penchez pas au-dessus de la batterie en faisant les connexions.

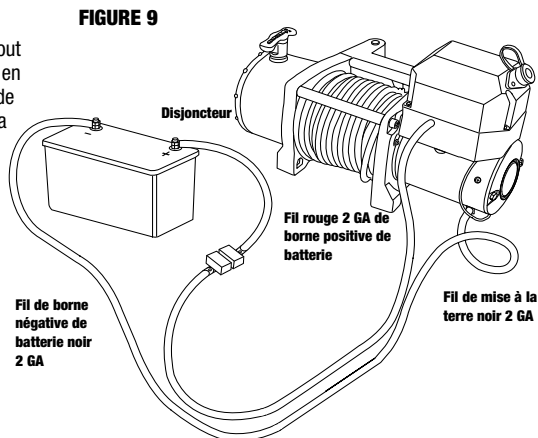


AVERTISSEMENT

Assurez-vous que le faisceau de câbles n'interfère pas et n'entre pas en contact avec les pièces sous tension ou mobiles du moteur, de la suspension, de la direction, des freins ou de l'échappement.

LES EXIGENCES ÉLECTRIQUES MINIMALES SONT UN ALTERNATEUR DE 60 A ET UNE BATTERIE D'UNE CAPACITÉ MINIMALE DE 650 ADF (INTENSITÉ DU COURANT ÉLECTRIQUE AU DÉMARRAGE À FROID).

Étape 2 Suivez le schéma de connexion électrique (FIGURE 9). Boulonnez le disjoncteur à l'embout du fil 2 GA rouge de batterie qui est connecté en usine à l'ensemble de l'interrupteur à solénoïde scellé. Branchez maintenant le disjoncteur à la borne positive de la batterie.



Étape 3 Branchez le fil 2 GA noir de batterie à la borne négative du moteur situé au bas du moteur et branchez également le fil de mise à la terre 2 GA noir de l'ensemble solénoïde à la même borne négative du moteur.

Étape 4 Raccordez l'autre embout du fil 2 GA noir de batterie à la borne négative de la batterie. Si un faisceau de câbles plus long est nécessaire, achetez alors la pièce KWA14607.

Étape 5 Enlevez le protecteur de la prise de courant et insérez la fiche de l'interrupteur à main suspendu. La fiche est à clavette et s'insère facilement dans la prise d'une seule façon. **NE PAS FORCER.**

Étape 6 Soulevez et tournez la manette d'embrayage de débrayage à la position de débrayage (Voir FIGURE 12). Tirez 1,5 m (5 pi) de câble métallique hors du tambour. Ramenez la manette d'embrayage de débrayage à la position d'embrayage. Faites entrer et sortir le câble du treuil en appuyant pendant quelques secondes sur l'interrupteur à main suspendu pour vérifier le sens de rotation du tambour. L'interrupteur est marqué « IN » pour l'enroulement du câble et « OUT » pour le déroulement. L'interrupteur retourne automatiquement à la position d'arrêt lorsqu'il est relâché. **SI CE N'EST PAS LE CAS, ALORS DÉBRANCHEZ LA FICHE DE L'INTERRUPTEUR À MAIN DE LA PRISE DE COURANT.**

Si le tambour tourne dans la mauvaise direction, alors consultez la section dépannage de ce manuel ou téléphonez au 800-533-7372 pour obtenir de l'aide, ou envoyez un courriel à winches@hamptonproducts.com.

Étape 7 Vous êtes maintenant prêt à treuiller. Faites quelques essais en déclenchant l'embrayage afin de dérouler librement le câble, puis en le rembobinant sous de faibles charges. Assurez-vous que l'enroulement est bien serré et que chaque spire est près de la spire précédente. Planifiez quelques essais et apprenez à regarder et à écouter. Essayez de reconnaître les sons d'une traction régulière légère, et le bruit provoqué par des charges se déplaçant. Vous manipulerez l'appareil avec plus d'aisance. **PORTEZ TOUJOURS DES LUNETTES DE SÉCURITÉ, DES GANTS DE CUIR ET UTILISEZ TOUJOURS LA COURROIE PROTÈGE-MAIN (FIGURE 4).**

Fonctionnement suspendu

L'interrupteur suspendu à main active un solénoïde qui active à son tour le courant au moteur du treuil.

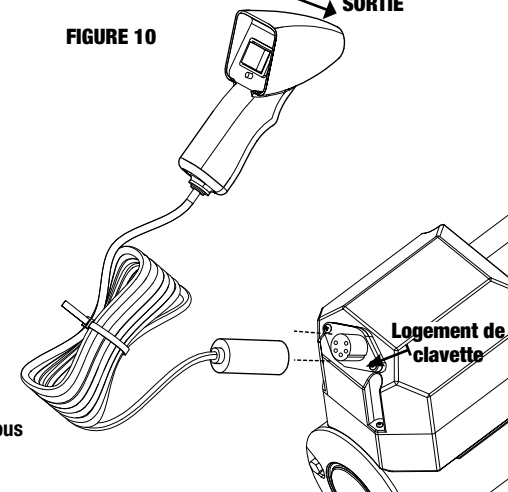
Pour connecter l'interrupteur suspendu à main, enlevez le couvercle de la prise de courant et insérez la fiche dans l'interrupteur à distance (Voir Figure 10). La fiche du cordon de la commande de l'interrupteur suspendu est à clavette et ne s'insère qu'une d'une façon dans la prise femelle.

La gâchette de l'interrupteur retourne à la position d'arrêt lorsqu'elle est relâchée. Pour changer de direction, déplacez la cheville dans l'autre direction (Voir Figure 10).

Le bouton-poussoir rouge active le voyant DEL de fonction.

ENTRÉE
SORTIE

FIGURE 10



MISE EN GARDE

Pour assurer le bon fonctionnement de l'interrupteur, vous devez le tenir à l'abri de la poussière et de l'humidité.

Fonctionnement sans fil (télécommande KTA14126)

Branchez le récepteur dans la prise à cinq broches située sur la boîte de commande du treuil (là où l'on branche habituellement la commande à main). Assurez-vous d'aligner les encoches à clé du récepteur avec la rainure de clavette à l'extérieur de la fiche (Voir FIGURE 11). Vous êtes maintenant prêt à faire fonctionner le treuil à distance.

Assurez-vous que la coche s'ajuste à la rainure, car un mauvais alignement endommagera l'appareil et annulera la garantie.

Veillez prendre note que l'appareil est programmé pour un délai de 1 seconde au démarrage et à l'arrêt. **Cela peut représenter un déplacement de 15,24 cm à 20,32 cm (6 po à 8 po) du câble métallique.**

La commande à distance est maintenant installée. Profitez de votre treuil commandé à distance sans fil.

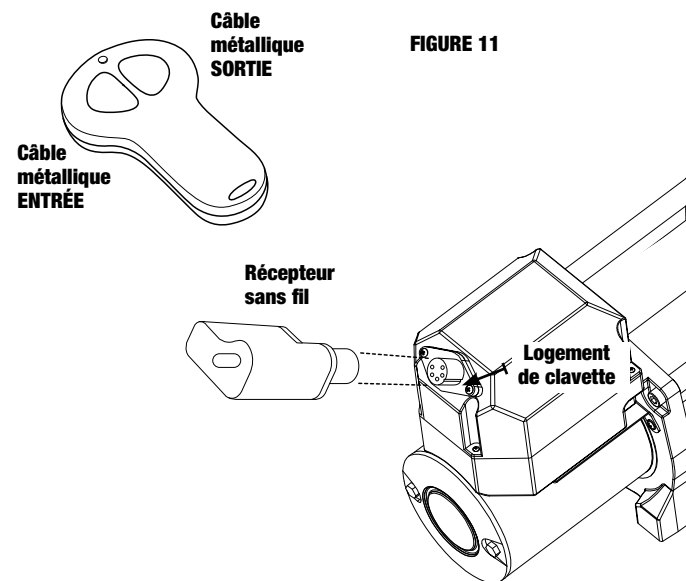


FIGURE 11

Operation Instructions for KTA14126 Wireless Remote
Mode d'Emploi de la Télécommande KTA14126
Instrucciones de Funcionamiento para Control Remoto Inalámbrico KTA14126

Operation Instructions for KTA14126 Wireless Remote
Mode d'Emploi de la Télécommande KTA14126
Instrucciones de Funcionamiento para Control Remoto Inalámbrico KTA14126

Wireless remote operation • Fonctionnement de la télécommande • Funcionamiento de control remoto inalámbrico

Your wireless remote will operate the winch from up to 100+ feet depending on weather conditions as rain, snow or fog can shorten the distance.

1. To activate the sender PRESS BOTH the "Winch In" (A) (Arrow towards the winch drum) and "Winch Out" (B) (Arrow facing away from the drum) buttons at the same time for 5 seconds or until the indicator light (C) turns red. Refer to Fig.1
2. Plug the receiver (Fig. 2) into the female plug receptacle on the top of the solenoid box on the winch (Same place you would normally plug your handheld switch control) Fig. 3
3. You are now ready to winch. When you press either the "Winch In" or "Winch Out" buttons the red indicator light (C) will flicker.

PLEASE NOTE – If the switch is not used for 5 minutes it will go into sleep mode for safety and also extend battery life. To revive the sender you will need to repeat step 1.

La télécommande fait fonctionner le treuil dans un rayon de 33+ mètres (100+ pieds) selon les conditions météorologiques telles que pluie, neige ou brouillard qui peuvent raccourcir la distance de réception des signaux.

1. Pour activer l'émetteur, APPUYER EN MÊME TEMPS sur les boutons (A) « Winch In » (Treuil – enroulement) (flèche pointant vers le tambour de treuil) et (B) « Winch Out » (Treuil – déroulement) (flèche orientée vers le côté opposé au treuil) pendant 5 secondes ou jusqu'à ce que l'indicateur lumineux (C) devienne rouge. Voir la Fig. 1
2. Enfiler le récepteur (Fig. 2) sur la prise femelle située au sommet du boîtier de la bobine (solénoïde) du treuil (même endroit où brancher normalement la commande d'interrupteur manuelle) Fig. 3
3. Le treuil est alors prêt à fonctionner. L'indicateur lumineux rouge (C) clignote lorsqu'on appuie sur le bouton « Winch In » (Treuil – enroulement) ou sur le bouton « Winch Out » (Treuil – déroulement).

REMARQUE IMPORTANTE – Quand la commande d'interrupteur reste inutilisée pendant 5 minutes elle passe en mode de veille pour raisons de sécurité et de conservation des piles. Pour réactiver l'émetteur, il faut répéter l'étape 1.

Su control remoto inalámbrico hará funcionar el cabrestante desde una distancia hasta de más de 33 m (100 pies o más); dependiendo de las condiciones del tiempo, tales como lluvia, nieve o neblina, la distancia puede acortarse.

1. Para activar el emisor PULSE AMBOS botones de "Enrollar cabrestante" (A) (Flecha hacia el tambor del cabrestante) y de "Desenrollar cabrestante" (B) (Flecha en dirección opuesta al tambor) a la misma vez durante cinco (5) segundos o hasta que la lámpara indicadora (C) se ilumine en color rojo. Consulte la Fig. 1.
2. Enchufe el receptor (Fig.2) en el receptáculo hembra de enchufe situado en la parte superior de la caja de solenoides en el cabrestante (el mismo lugar donde usted normalmente enchufaría su control de conmutación manual) - Fig. 3.
3. Usted ahora está listo para hacer funcionar el cabrestante. Cuando usted pulse ya sea el botón de "Enrollar cabrestante" o el botón de "Desenrollar cabrestante, la lámpara indicadora roja se iluminará intermitentemente.

SÍRVASE TOMAR NOTA – si el conmutador no se utiliza durante cinco (5) minutos, pasará al modo de suspensión como medida de seguridad y para extender la vida de servicio de la pila. Para revivir al emisor, usted necesita repetir el paso 1.

FIG. 1

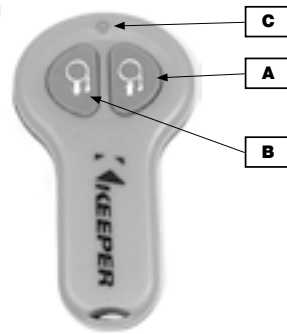
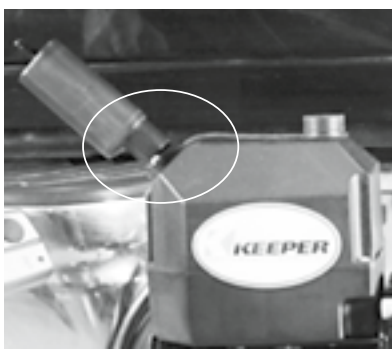


FIG. 2



FIG. 3



©2013 Hampton Products International Corp.
 50 Icon, Foothill Ranch, CA 92610
 800-533-7372
 www.hamptonproducts.com
 www.keeperwinches.com
 999-01001_Rev32113



Reprogramming senders to a receiver
Reprogrammation des émetteurs vers un récepteur
Cómo reprogramar emisores para un receptor

If you ever have to replace your senders or receiver you can program the new units to function with the old units by following the procedure below.

1. Unscrew and remove the two metal screws at the plug side of the receiver. Fig. 4
2. Gently pull out the receiving assembly. Fig. 5
3. MAKE SURE THE WINCH IS IN THE FREEWHEEL POSITION
4. Plug the assembly into the female plug receptacle on top of the winch solenoid control box. The same position as shown in Fig. 3.
5. Push down on the Smart Button Fig. 6
6. As the Smart Button is depressed, first push the "Winch Out" (B in Fig.1) button in for at least 2 seconds before releasing and then push the "Winch In" (A in Fig. 1) button in for two seconds before releasing. The movement of the motor will indicate that you have successfully reprogrammed the senders.
7. Once you have determined that the units are working, unplug the receiving assembly from the control box and carefully slide it back into the housing and secure it with the two screws.
8. You are ready to use the reprogrammed Wireless. **Remember that your winch is in the freewheel position.

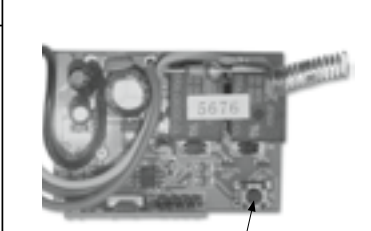
FIG. 4



FIG. 5



FIG. 6



Smart Button
 Bouton intelligent
 Botón inteligente

S'il est nécessaire de remplacer les émetteurs ou le récepteur, il est possible de reprogrammer les nouvelles unités pour qu'elles fonctionnent avec les unités anciennes, en suivant la procédure ci-dessous.

1. Dévisser et enlever les deux vis métalliques côté fiche du récepteur. Fig. 4
2. Tirer délicatement sur l'ensemble de récepteur. Fig. 5
3. VÉRIFIER QUE LE TREUIL EST EN POSITION NEUTRE (ROUE LIBRE)
4. Enfiler l'ensemble sur la prise femelle située au sommet du boîtier de la bobine de commande du treuil. Même position que l'illustration de la Fig. 3.
5. Appuyer sur le Bouton intelligent. Fig. 6
6. Quand le Bouton intelligent est enfoncé, appuyer d'abord sur le bouton « Winch Out » (Treuil – déroulement) (B de la Fig. 1) pendant au moins 2 secondes avant de le relâcher, puis enfoncer le bouton « Winch In » (Treuil – enroulement) (A de la Fig. 1) pendant 2 secondes avant de le relâcher. Le mouvement du moteur indique que la programmation des émetteurs est réussie.
7. Quand le bon fonctionnement des unités a été vérifié, débrancher l'ensemble de récepteur du boîtier de commande et le replacer délicatement dans l'enceinte en l'y faisant glisser et le fixer avec les deux vis.
8. La télécommande reprogrammée est alors prête à l'emploi. **Il faut se rappeler que le treuil est en position neutre (roue libre)

Si en alguna ocasión usted tuviera que reemplazar sus emisores o receptor, usted puede programar las nuevas unidades para que funcionen con las unidades antiguas al seguir el siguiente procedimiento dado abajo.

1. Desatornille y desmonte los dos tornillos de metal situados en el lado de enchufe del receptor - Fig. 4.
 2. Jale cuidadosamente el ensamblaje receptor - Fig. 5.
 3. ASEGÚRESE QUE EL CABRESTANTE SE ENCUENTRE EN LA POSICIÓN DE GIRO LIBRE
 4. Enchufe el ensamblaje en el receptáculo hembra de enchufe situado sobre la parte superior de la caja de control de solenoides del cabrestante. La misma posición tal como se muestra en la Fig. 3.
 5. Pulse sobre el "Botón inteligente" - Fig. 6.
 6. Mientras se tiene pulsado el Botón inteligente, primero pulse el botón de "Desenrollar cabrestante" (B en la Fig. 1) durante cuando menos dos (2) segundos antes de soltarlo, y luego pulse el botón de "Enrollar cabrestante" (S en la Fig. 1) durante cuando menos dos (2) segundos antes de soltarlo. El movimiento del motor le indicará que usted ha reprogramado exitosamente los emisores.
 7. Una vez que haya determinado que las unidades están funcionando, desenchufe el ensamblaje receptor de la caja de control y deslicelo con cuidado otra vez dentro de la carcasa y asegúrelo con los dos tornillos.
 8. Ya está usted listo para usar el Control remoto inalámbrico.
- ** Recuerde que su cabrestante está en la posición de giro libre.

©2013 Hampton Products International Corp.
 50 Icon, Foothill Ranch, CA 92610
 800-533-7372
 www.hamptonproducts.com
 www.keeperwinches.com
 999-01001_Rev32113



Fonctionnement de la manette de débrayage

1. Soulevez et tournez la manette d'embrayage à la position « Débrayé » comme illustré à la **Figure 12**. S'il y a une charge sur le câble métallique, il se peut que la manette d'embrayage ne tourne pas facilement. **NE FORCEZ PAS LA MANETTE D'EMBRAYAGE**. Par à-coups, relâchez un peu la tension sur le câble, puis réessayez de débrayer.
2. Sortez le câble métallique et attachez-le solidement au point d'ancrage ou à la charge.
3. Assurez-vous de laisser au moins cinq (5) tours de câble sur le tambour.
4. Réembrayez le tambour en soulevant la manette d'embrayage et en la tournant à la position d'embrayage, appliquez la puissance pour engager l'embrayage (**Voir Figure 12**).

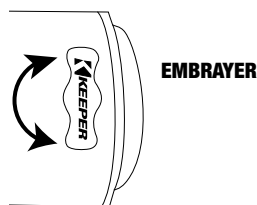
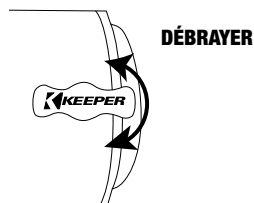


FIGURE 12



▲ MISE EN GARDE ▲

Le levier doit être engagé et verrouillé avant le treuillage.

Fonctionnement du frein

Le treuil incorpore un frein automatique de rétention de la charge. Après le treuillage d'une charge, ce mécanisme retient la charge jusqu'à la capacité nominale du treuil. Pendant le treuillage de la charge, le treuil contrôle la vitesse d'application du frein proportionnellement à la quantité de la charge sur le câble du treuil. Pour cette raison, les charges plus lourdes sont tirées plus lentement que les charges plus légères.

Tout comme les freins à friction de votre automobile qui peuvent produire de la chaleur s'ils sont utilisés pendant une période prolongée, le frein du treuil peut produire de la chaleur s'il est utilisé pour entraîner une charge pendant une période prolongée.

Pour vous assurer d'une performance maximale, limitez toujours l'entraînement de la charge à 2 minutes et laissez refroidir le frein pendant 15 minutes avant de continuer le treuillage.

Dans des conditions normales, le mécanisme du frein ne devrait nécessiter aucun ajustement. Si le frein ne réussit pas à retenir une charge ou à maintenir une vitesse constante pendant l'opération d'entraînement, il se peut que le ressort du frein soit usé et qu'il doive être remplacé.

POUR OBTENIR DES INFORMATIONS SUR LES PIÈCES, VEUILLEZ CONSULTER : www.keeperwinches.com, winches@hamptonproducts.com, OU APPELER LE SERVICE CLIENTÈLE AU 1-877-533-7372

Prolongement de la durée du treuil

1. **GARDEZ LE CÂBLE ENROULÉ BIEN SERRÉ AUTOUR DU TAMBOUR.** Gardez le câble métallique enroulé bien serré et de façon égale sur le tambour en tout temps. Ne laissez pas le câble devenir lâche. Un câble métallique sous charge lâche autour du tambour peut se déplacer vers le bas, au travers des couches de câble sur le tambour. Si cela se produit, le câble peut se coincer dans le corps des enroulements, ce qui pourrait l'endommager. Une bonne pratique consiste à rembobiner le câble sous tension après chaque utilisation. Appliquez la tension à l'aide de la courroie protège-main (**FIGURE 3**) et portez TOUJOURS des lunettes de sécurité et des gants de cuir.
2. **NE LAISSEZ PAS SURCHAUFFER LE MOTEUR DU TREUIL.** Gardez la durée de traction aussi courte que possible. Si le moteur devient trop chaud pour le toucher, arrêtez le treuillage et laissez refroidir le moteur. **LAISSEZ TOURNER LE MOTEUR DU VÉHICULE POUR RECHARGER LA BATTERIE** pendant la pause de refroidissement.
3. **UTILISEZ UNE MOUFLE POUR LES CHARGES LOURDES.** Afin de maximiser la durée du treuil et du câble métallique, utilisez une moufle (non comprise) afin de doubler le fil pour les charges plus lourdes. (**Voir FIGURE 3**) Pour un rendement maximum, utilisez une moufle si la charge est supérieure à 75 % de la capacité nominale du treuil. Pour le modèle KW7.5RM, utilisez une moufle lorsque vous excédez 4 581 kg (10 100 lb). Utilisez toujours une moufle (pour numéro de pièce **Contact Keeper Winch**) dont la capacité nominale est le double de celle du treuil.

▲ MISE EN GARDE ▲

Si le moteur du treuil cale, ne continuez pas à appliquer de la puissance.

4. La traction nécessaire pour commencer à déplacer une charge est souvent beaucoup plus grande que la traction nécessaire pour continuer le déplacement. **ÉVITEZ LES ARRÊTS ET DÉMARRAGES FRÉQUENT PENDANT LA TRACTION.**
5. **PRÉVENEZ LES NŒUDS DANS LE CÂBLE AVANT QU'ILS NE SE FORMENT (FIGURE 13).**

- a. Début d'un nœud. Il faut redresser le câble.
- b. Le câble a été tiré et la boucle s'est resserrée pour former un nœud. Le câble métallique est maintenant endommagé de façon permanente et **DOIT** être remplacé.
- c. Lorsqu'il y a un nœud, chaque brin du câble a une traction différente; ce qui provoque le bris des brins qui subissent la plus grande traction et réduit la capacité de charge du câble métallique. Le câble métallique **DOIT** être remplacé. Utilisez uniquement la pièce de rechange originale du treuil Keeper **KWA14625 28 m x 9.5 mm (92 pi x 3/8 po)**.

Contact : winches@hamptonproducts.com pour commander.

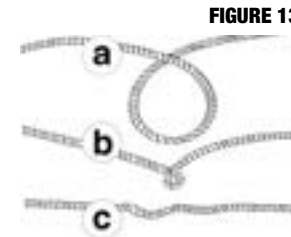


FIGURE 13

Remplacement du câble métallique

▲ AVERTISSEMENT ▲

Ne remplacez jamais le câble par un câble plus pesant ou plus léger. N'utilisez jamais un câble fait d'un autre matériau que du fil de fer. Utilisez uniquement le câble métallique de rechange Keeper, 28 m x 9.5 mm (92 pi x 3/8 po) **KWA14625**.

Attachez le câble métallique au tambour à l'aide de la vis fournie (**FIGURE 14**).

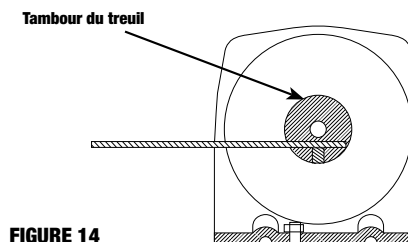


FIGURE 14

Entretien et réparation

▲ AVERTISSEMENT ▲

Avant chaque utilisation, vérifiez si les boulons de fixation sont bien serrés, inspectez le câble pour détecter tout dommage. Inspectez la commande à distance afin de détecter tout dommage. Périodiquement, enlevez la saleté et les débris du boîtier du treuil à l'aide de linge propre sec.

Lubrification : La boîte à engrenage est à graissage permanent. N'essayez pas de désassembler la boîte à engrenage. Cela annulerait votre garantie.

Dépannage

En cas de problème, **NE RETOURNEZ PAS LE PRODUIT CHEZ LE DÉTAILLANT** communiquez avec le service à la clientèle de treuil Keeper® en composant le 800-533-7372 ou par courriel à winches@hamptonproducts.com.

Problème	Causes possibles	Mesure corrective
Le moteur ne fonctionne pas ou fonctionne dans une seule direction	<ol style="list-style-type: none"> 1. Fils brisés ou mauvaise connexion de la batterie 2. Interrupteur inopérant 3. Treuil endommagé 4. Solénoïde endommagé 5. Défaillance du disjoncteur 	<ol style="list-style-type: none"> 1. Vérifiez s'il y a de mauvaises connexions et si le câblage en entier est bien serré et propre 2. Vérifiez si les fils de l'interrupteur sont bien branchés au solénoïde 3. Remplacez ou réparez 4. Remplacez le solénoïde 5. Réarmez le disjoncteur
Le moteur devient extrêmement chaud	<ol style="list-style-type: none"> 1. Longue période de fonctionnement 2. Endommagé lors de l'utilisation 	<ol style="list-style-type: none"> 1. Laissez refroidir 2. Remplacez ou réparez
Le moteur tourne mais avec une puissance ou une vitesse de traction insuffisante	<ol style="list-style-type: none"> 1. Pile faible 2. Fil trop long entre la batterie et le treuil 3. Mauvaise connexion de la batterie 4. Mauvaise mise à la terre 5. Moteur endommagé 	<ol style="list-style-type: none"> 1. Rechargez ou remplacez la batterie. Vérifiez le système de charge. 2. Utilisez seulement les fils fournis. Si une prolongation est nécessaire, diminuez la grosseur du fil à 2 ou 3 AWG. 3. Vérifiez si les bornes de la batterie sont rouillées. Nettoyez au besoin. 4. Vérifiez et resserrez les raccords. 5. Remplacez ou réparez
Le moteur tourne mais le tambour ne tourne pas	Embrayage non enclenché	Enclenchez l'embrayage
Le treuil fonctionne à l'envers	<ol style="list-style-type: none"> 1. Fils de batterie inversés 2. Fils de l'interrupteur inversés 3. Interrupteur mal installé 	<ol style="list-style-type: none"> 1. Revérifiez le câblage 2. Revérifiez le câblage 3. Vérifiez l'installation de l'interrupteur

GARANTIE LIMITÉE : Hampton Products International Corporation garantit le produit selon des dispositions suivantes : Les composantes mécaniques sont garanties sans défaut de matériau et de fabrication pour la durée du treuil. Les composantes électriques sont garanties 1 an contre tout défaut de matériau et de fabrication. En cas de défaut de matériau ou de fabrication, appelez au 800-533-7372 pour obtenir des instructions sur la façon de procéder pour faire réparer ou remplacer le produit. Cette garantie s'applique à partir de la date d'achat du produit et est valide seulement pour l'acheteur ou le consommateur original du produit. Un produit défectueux retourné devient la propriété du fabricant. Limites de la garantie : Les limites suivantes s'appliquent à la garantie : a) La garantie s'applique seulement aux produits sans défaut de matériel ou de fabrication. Cette garantie ne couvre pas l'usure. La garantie ne couvre pas le service ou les frais de main-d'œuvre qui sont encourus pour déplacer ou replacer le produit. b) La garantie ne couvre pas le fini du treuil et le câble métallique. Par conséquent, le fabricant ne remplacera ni ne réparera le produit et ne lui redonnera pas le fini original si le produit est usé d'une manière quelconque. c) La garantie ne s'étend pas aux produits qui sont endommagés ou dont la défaillance est due à l'abus, à la négligence ou à une mauvaise utilisation de quelque manière que ce soit, ou découle d'un accident, ou de la mauvaise application, de la surcharge ou de la mauvaise installation du produit, ou de l'altération de quelque manière que ce soit par toute autre personne que le fabricant, ses agents ou ses représentants.

Obligations de l'acheteur/du consommateur. Pour obtenir les avantages de la garantie, l'acheteur/le consommateur doit retourner le produit défectueux, fret payé avec une preuve d'achat à l'intérieur de la période de garantie qui s'applique à partir de la date d'achat à Hampton Products ou à centre de service autorisé.

Droits légaux et limites de l'acheteur/du consommateur. **CETTE GARANTIE VOUS CONFÈRE DES DROITS PARTICULIERS RECONNUS PAR LA LOI, ET VOUS POURRIEZ ÉGALEMENT AVOIR D'AUTRES DROITS POUVANT VARIER D'UN ÉTAT À L'AUTRE. TOUTE GARANTIE IMPLICITE DE QUALITÉ MARCHANDE ET DE CONVENANCE PRÉCISE D'UN PRODUIT EST LIMITÉE AUX CONDITIONS DE LA GARANTIE À PARTIR DE LA DATE D'ACHAT AU DÉTAIL PAR L'ACHETEUR ORIGINAL. CERTAINS ÉTATS NE PERMETTENT AUCUNE LIMITE.**

Hampton Products International Corp.

50 Icon

Foothill Ranch, CA 92610 USA

800-533-7372

www.keeperwinches.com ou winches@hamptonproducts.com