

Fiberglass

The Select Step is a non conductive, industrial-strength for in-home, commercial, and professional use ladder. The Fiberglass Select Step features extra-deep rungs and a wide-flared leg for extra comfort and stability. It can be used safely on stairs and uneven surfaces and includes the innovative no-pinch Comfort Step and the optional AirDeck Safety handrail with tool tray.

Comfort Step. The no-pinch Comfort Step is an ideal place to stand on a ladder. The wide standing surface reduces foot fatigue. The Comfort Step design also greatly reduces "walking ladder syndrome." The Comfort Step handle also allows you to set-up and take down your ladder with one hand without putting your fingers near any pinch points.

Rock Locks. Unlock the Rock Locks by pressing inward on the grips to disengage the lock assemblies. Now you can adjust the ladder's height. Simply engage the Rock Locks completely into the desired rung tube to secure the ladder's height and position.

Twist Handle. The twist handle is found on the rear of the back legs. Rotate this handle to disengage the lock pins so you can telescope the back legs to the desired height.

Extra Deep Rungs. The rungs on the Select Step provide a standing surface of at least 1.75 and up to 4 inches deep. The extra depth provides additional comfort and stability, whether you're on the ladder for a long or short period of time.

AirDeck Portal. The Select Step comes with a unique top cap with several tool slots for easy access. If you need more work space or desire more stability at the top of your ladder, the AirDeck portal and top cap is fitted to work with the Little Giant AirDeck Safety Handrail.

AirDeck. The optional Little Giant AirDeck Safety System, which may come with the Select Step, serves as a safety handle and tool tray with multiple functions, including

- Drill chuck holder
- Fitted trays for all standard sized paint containers
- Screwdriver holes
- Slot for putty or mud knives
- Extension cord holder
- Drink holder



©2014 Little Giant Ladder Systems 53536 v3 8.14

**Little
Giant**
Ladder Systems

SELECT STEP
FIBERGLASS

CLIMB ON™

TYPE IAA 375 LBS RATED

USER INSTRUCTIONS

Thank you for purchasing the Little Giant Fiberglass Select Step™. The Fiberglass Select Step is built with the same quality construction you've grown to trust from Little Giant Ladder Systems, with increased safety features including a wide base, extra deep rungs, and an optional safety handle. The adjustable Select Step gives you the flexibility to tackle a wide range of projects in your home or business.

To make the most of your new Select Step ladder, please read the instructions. You will learn how to safely adjust and use your ladder in its different sizes and positions (as well as how not to adjust the ladder).

Customer Service: **800-453-1192**

Little Giant Ladder Systems • 1198 N. Spring Creek Place • Springville, UT 84663
www.littlegiantladders.com

facebook

Little Giant Ladders

twitter

realLittleGiant

GENERAL OPERATING SAFETY TIPS

Select Step Operating Safety Tips

1. Make sure you support the inner ladder assembly with one hand while releasing the Rock Locks, and the outer ladder assembly when using the twist handle. Failure to do so may result in injury.
2. Make sure each of the two Rock Locks are fully engaged in the appropriate rung tube before climbing the ladder.
3. The 90-Degree position must only be used when the back of the ladder is against a secure wall.
4. Keep your hands and loose clothing away from the moving parts of the ladder.
5. To avoid pinching, place your hands on the top cap or the upper vertical rails when telescoping your ladder up or down.
6. Keep all ladder rungs, ladder feet, work steps, and other standing and gripping surfaces clean and free from foreign materials.
7. The Fiberglass Select Step has a Type IAA ANSI duty rating of 375 lbs. For your safety, do not exceed the weight limit.
8. The AirDeck is rated to hold 25 pounds of tools and materials. For your safety, do not exceed this weight limit.
9. Do not use the ladder without outer flared section attached.

General Ladder Safety Tips

1. Select the correct ladder for your job—a ladder that is both rated for your weight and designed for the appropriate height and type of work you're doing.
2. Do a basic safety check before you get on any ladder. Look it over and make sure that rivets and welds are

- tight and in good condition, that the rails are in place, and that the ladder doesn't wobble unsafely. Check the feet of the ladder to make sure there's no build up of dirt, oil, or other material that would create an uneven surface.
3. Face forward and climb one rung at a time while going up or down a ladder.
 4. Do not stand on the top cap or the next rung down.
 5. When on a ladder, don't lean or reach too far to one side. A good rule of thumb is to always keep your belt buckle between the side rails. It's better to be safe and come down from the ladder and move it closer to your desired work area than to reach out too far and cause the ladder to fall.



ALI MEMBER

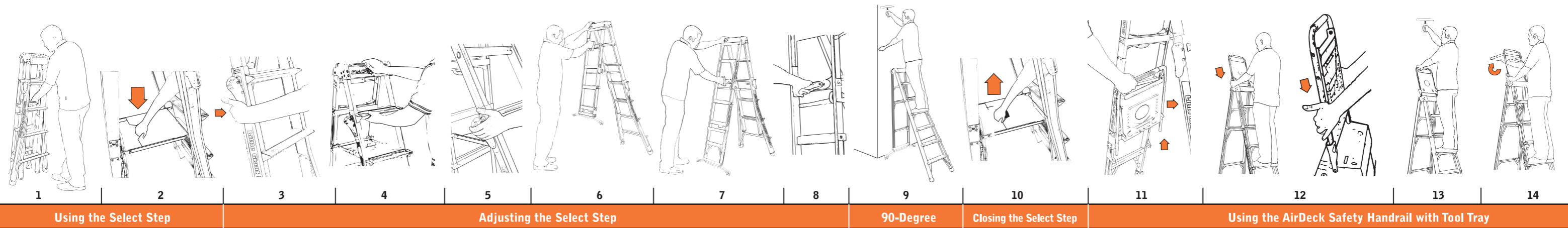
For additional safety training visit www.laddersafety.org



MODEL	4'-6"	5'-8"	6'-10"
STEPLADDER SIZE	4'-6"	5'-8"	6'-10"
HIGHEST STANDING LEVEL: second rung from the top	1'-10" TO 3'-9"	2'-10" TO 5'-8"	3'-9" TO 7'-7"

Register Your Warranty

The Fiberglass Select Step ladder is offered with a one year warranty against manufacturer defects. Register your warranty within 30 days after receipt of the product. You may register your product by going online to "<http://www.LittleGiantLadders.com/registration.com>" or by completely filling out the warranty card and mailing it in.



Your Fiberglass Select Step is the most comfortable and versatile step ladder we've ever built. We've used super-strong yet lightweight materials to make it easy to use, and we've made the rungs deeper to make it more stable and comfortable. This Quick Start Guide shows you how to use each feature of the Select Step safely and easily. Please read the entire instruction manual to get the most out of your ladder.

Select Step Operating Instructions

Opening the Select Step

1. Rest the ladder's weight on its front legs. (see Figure 1)
2. To open the legs of the ladder, grip the Comfort Step and push it forward until it is secure. (see Figure 2)

Adjusting the Height

1. Unlock the Rock Locks. (see Figure 3)
2. Raise the inner ladder assembly to the desired height. (see Figure 4)
3. Align and engage the Rock Locks in the rung holes. (see Figure 5)
4. Turn the twist handle to unlock the rear legs of the ladder. (see Figure 6)
5. Telescope the back legs down to meet the height of the front legs. (see Figure 7)
6. Release the twist handle to lock the rear legs in place. (Figure 8)

Need Help?

Visit www.littlegiantladders.com or call Customer Care at **800-453-1192**.

The AirDeck is designed to work with several Little Giant Ladder Systems products. Please visit www.littlegiantladders.com for information or to view instructional videos.

Adjusting for Uneven Surfaces, Staircase, and 90-Degree

1. Unlock the Rock Locks. (see Figure 3)
2. Raise the inner ladder assembly to the desired height. (see Figure 4)
3. Align and engage the Rock Locks in the rung tubes. (see Figure 5)
4. Turn the twist handle to unlock the rear legs. (see Figure 6)
5. Telescope the back legs up or down until they reach the desired height. (Figure 7)
6. Release the twist handle to lock the rear legs in place. (Figure 8)
7. The 90-degree position is intended to bring the user of the ladder closer to a work surface, without reaching to the side. The 90-degree position (where one side is one rung shorter than the other and the ladder is placed on a level flat surface) must only be used when the back of the ladder is against a secure wall. (Figure 9)

Closing the Select Step

1. Rest the ladder's weight on its front legs. (see Figure 1)
2. Grip the Comfort Step and pull it toward you until the ladder is fully closed. (see Figure 10)

Using the AirDeck as a Safety Handrail with Tool Tray

1. Remove the AirDeck from storage position. (Figure 11)
2. With the bottom side of the tray facing you, insert the two posts into the vertical holes in the top cap until the safety handrail locks engage. (see Figure 12)
3. While standing on the Select Step, use the safety handrail to help keep your balance. (see Figure 13)

Using the AirDeck in the Vertical Position

1. Remove the AirDeck from storage position. (see Figure 11)
2. Stand securely on the ladder and with the bottom side of the tray facing you, insert the two posts into the vertical holes in the top cap until the handrail locks engage. (see Figure 12 & 13)
3. Raise the lower portion of the tray to the open position until both support arms lock in place. Check to make sure both arms are locked. They should be flush with the AirDeck tool tray. (see Figure 14)

Storing the AirDeck

1. Push buttons on both sides to release the locks. (see Figure 15)
2. Allow the tray to rotate down into the closed position. (see Figure 16)
3. Release the orange handrail locks and pull the rail posts out of the top cap. (see Figure 17)
4. Insert the AirDeck into the storage brackets located on the inside of the Select Step's back legs. (see Figure 18)

Using the AirDeck in the Horizontal Position

1. Remove the AirDeck from storage position. (see Figure 19)
2. Insert the two posts into the horizontal holes in the top cap until the handrail locks engage. (see Figure 20)

Using the AirDeck Safety Handrail with Tool Tray

