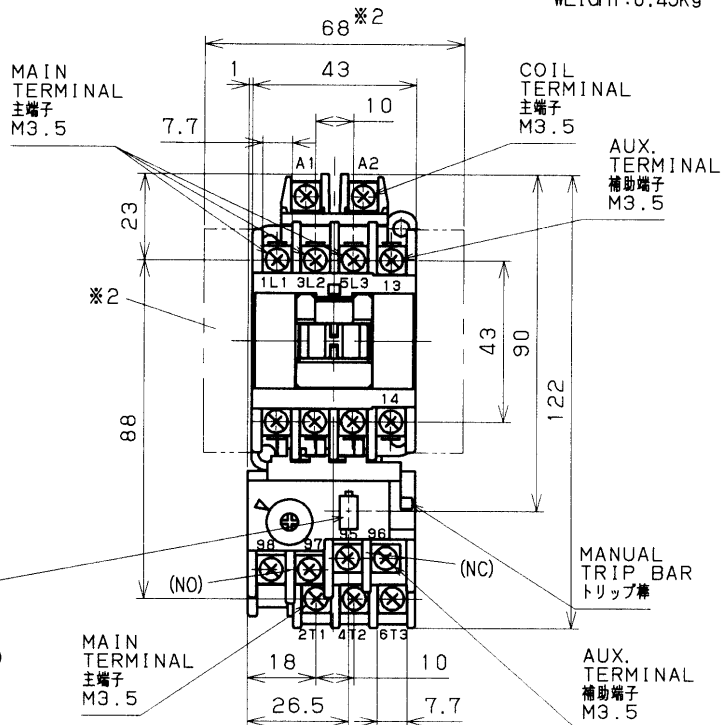
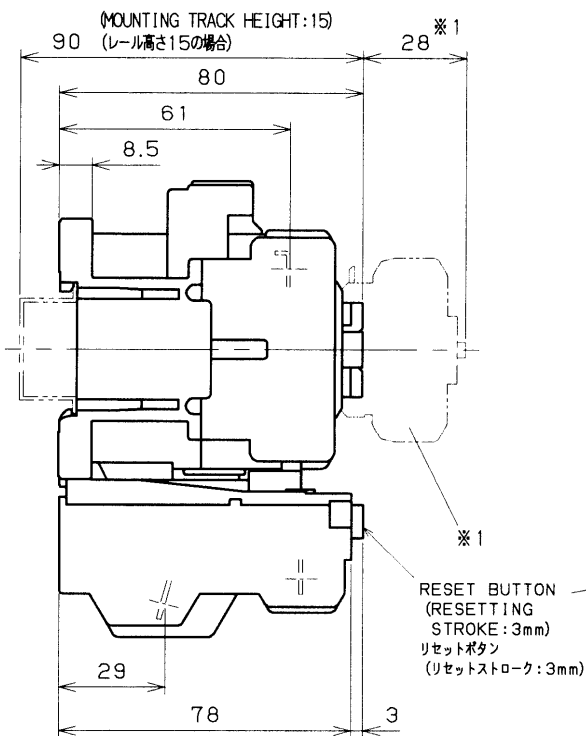
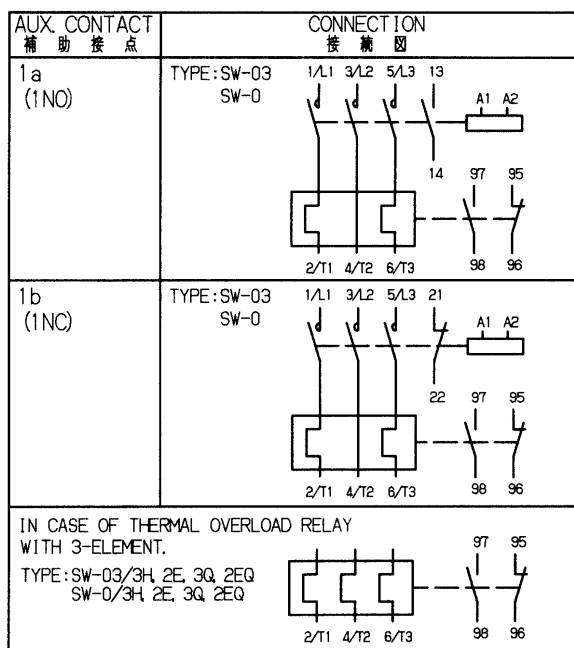


DIMENSIONS IN mm
WEIGHT: 0.43kg

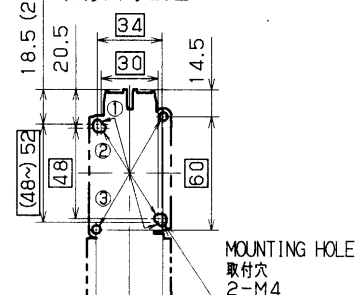


(NOTE)

- ※1 Auxiliary contact block, Front mounted (If Used)
補助接点ユニット(ヘッドオン)を取り付けた場合
- ※2 Auxiliary contact block, Side mounted (If Used)
補助接点ユニット(サイドオン)を取り付けた場合



PANEL DRILLING
取付穴寸法図 S=1:4



(NOTE)

Use the two mounting holes on a diagonal line to mount a contactor.
対角線の取付穴2カ所で取付けて下さい。

- ① 34x(48~)52: Compatible with type SRCb3931-0
SRCb3931-0と互換性有り
- ② 30x48 : Compatible with type SRCa3931-02
SRCa3931-02と互換性有り
- ③ 35x60 : Conform to IEC standards
IEC用取付穴

Suffixes shown in the following may be attached to the below types at portions marked with #.

下記形式の#部に次の記号が付く製品を含む。
#1: H #2: U #3: 3H, 2E, 3Q, 2EQ #4: A

REVISIONS				
Ref.				
DRAWN	DATE	NAME	APPROVED	SCALE 1:2
CHECKED	2005-01-19	M. Mitoma	S. Kato	

DWG. CODE		
TITLE	OUTLINE DRAWINGS FOR AC MAGNETIC SWITCH 交流電磁開閉器外形図 SW-03#1/#2/#3/#4 SW-0#1/#2/#3/#4	
DRAWING NO.	F070 03 02 (5)	c