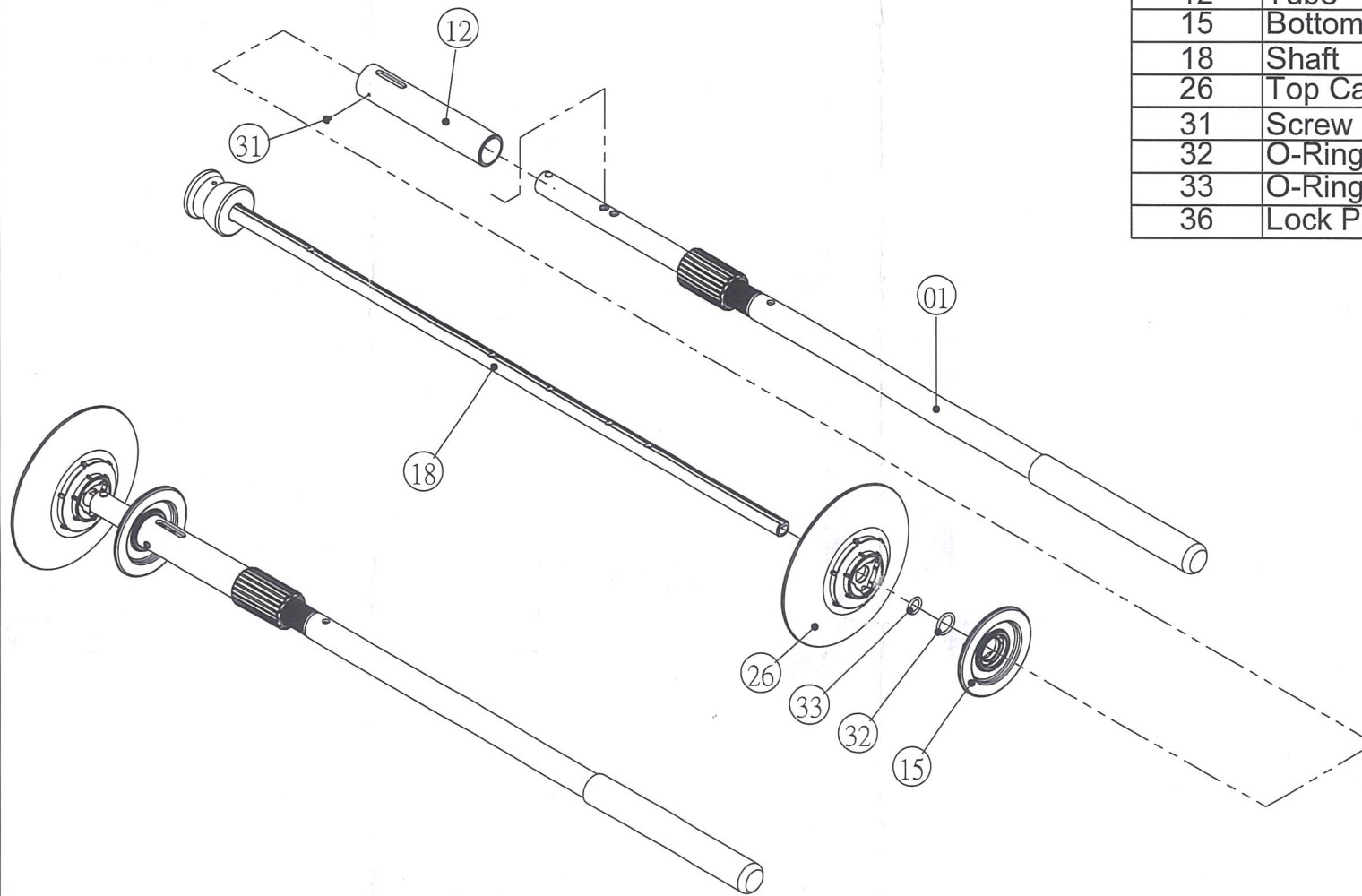


Stretch Film Dispenser

Part No.	Part Name	QTY
01	Handle Assembly	1
12	Tube	1
15	Bottom Cap	1
18	Shaft	1
26	Top Cap	1
31	Screw	1
32	O-Ring	1
33	O-Ring	1
36	Lock Pin & Chain Assembly	1



Stretch Film Dispenser

USER GUIDE

