

Basic Data

Suitable for

Boards up to 44 mm thick.

Applications

Various types of board, like plaster, plywood and particle boards, but also for board materials like plastic, sheet metal and laminate.

Advantages

- Anti-rotation design
- Wide range of board thicknesses
- Captive fixing
- Fire resistant
- High load values.

Material

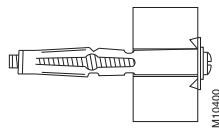
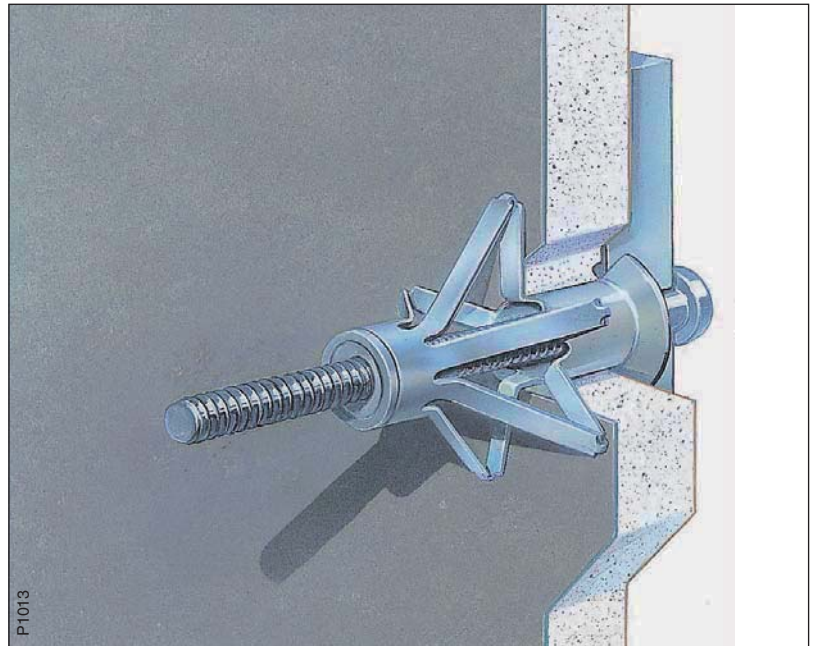
Electroplated steel.

Accessories

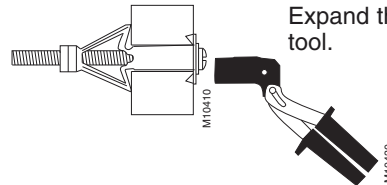
Mounting tool for expanding the TMX. (Small mounting jobs can be done using a screwdriver.)

Packaging

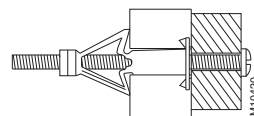
Cardboard carton.



Drill a hole in accordance with the table and install the TMX.





Expand the TMX using a screwdriver or the TMX tool.



Remove the screw and mount the fixture. Insert screw and tighten.

Range/Technical data (1 kN = 100 kg)

		Type	Qty/Pack	Screw	Drill Ø mm	Sheet thickness Min-max mm	Screw length mm	Max. load ¹⁾ Shear/ /pull-out kN	Article No.
Fixing									
P80039		TMX 4M	100	M4	8	1-6	30	-	1260 009 EA947BJ-4A
		TMX 4E	100	M4	8	5-15	40	0.20/0.14	1260 025 EA947BJ-4
		TMX 4D	50	M4	8	16-26	50	0.40/0.16	1260 066
		TMX 4T	50	M4	8	34-44	70	-	1260 082
		TMX 5E	50	M5	10	3-16	57	0.40/0.16	1260 108 EA947BJ-5
		TMX 5D	50	M5	10	12-32	70	0.60/0.20	1260 124
		TMX 6E	50	M6	12	3-16	57	0.45/0.18	1260 140 EA947BJ-6
	TMX 6D	50	M6	12	12-32	70	0.70/0.28	1260 165	
Mounting tool									
P80039		TMX-T	1						1265 040

¹⁾ Safety factor 2.5 for shear and 3 for pull-out load.