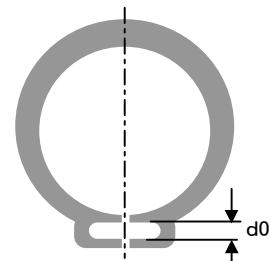
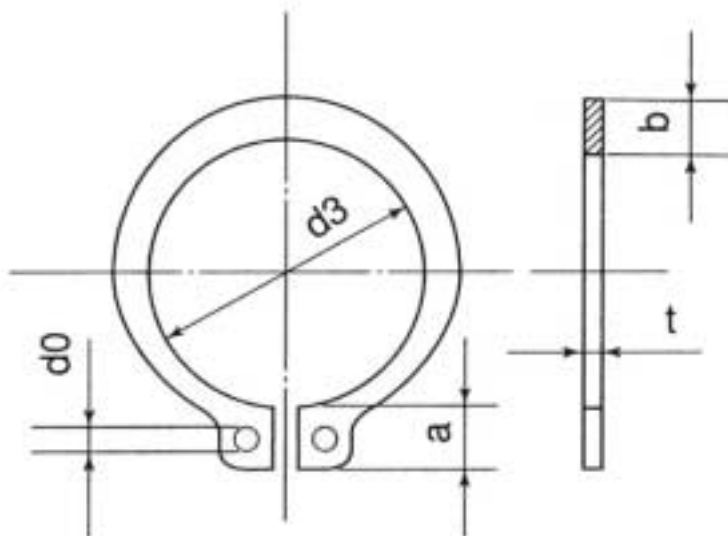


EA949DA-3~30 軸用スナップリング

材質：バネ鋼

サイズ：

| | 止め輪 | | | | | 適用する軸 | | |
|------------|------|------|-----|-----|-----|-------|------|-----|
| | d 3 | t | b | a | d 0 | d 2 | m | n |
| EA949DA-3 | 2.7 | 0.25 | 0.5 | 1.7 | 0.7 | 2.85 | 0.35 | 0.3 |
| EA949DA-4 | 3.7 | 0.4 | 0.9 | 2.2 | 0.8 | 3.8 | 0.5 | 0.3 |
| EA949DA-5 | 4.7 | 0.6 | 1.1 | 2.4 | 0.8 | 4.8 | 0.7 | 0.3 |
| EA949DA-6 | 5.6 | 0.7 | 1.3 | 2.8 | 1.0 | 5.7 | 0.8 | 0.5 |
| EA949DA-8 | 7.4 | 0.8 | 1.6 | 3.0 | 1.0 | 7.6 | 0.9 | 0.6 |
| EA949DA-9 | 8.4 | 1.0 | 1.8 | 3.2 | 1.0 | 8.6 | 1.15 | 0.6 |
| EA949DA-10 | 9.3 | 1.0 | 1.8 | 3.0 | 1.2 | 9.6 | 1.15 | 1.5 |
| EA949DA-11 | 10.2 | 1.0 | 2.0 | 3.1 | 1.2 | 10.5 | 1.15 | 1.5 |
| EA949DA-12 | 11.1 | 1.0 | 2.1 | 3.2 | 1.5 | 11.5 | 1.15 | 1.5 |
| EA949DA-13 | 12.0 | 1.0 | 2.1 | 3.3 | 1.5 | 12.4 | 1.15 | 1.5 |
| EA949DA-14 | 12.9 | 1.0 | 2.2 | 3.4 | 1.7 | 13.4 | 1.15 | 1.5 |
| EA949DA-15 | 13.8 | 1.0 | 2.2 | 3.5 | 1.7 | 14.3 | 1.15 | 1.5 |
| EA949DA-16 | 14.7 | 1.0 | 2.2 | 3.6 | 1.7 | 15.2 | 1.15 | 1.5 |
| EA949DA-18 | 16.5 | 1.2 | 2.6 | 3.8 | 1.7 | 17.0 | 1.35 | 1.5 |
| EA949DA-19 | 17.5 | 1.2 | 2.7 | 3.8 | 2.0 | 18.0 | 1.35 | 1.5 |
| EA949DA-20 | 18.5 | 1.2 | 2.7 | 3.9 | 2.0 | 19.0 | 1.35 | 1.5 |
| EA949DA-21 | 19.5 | 1.2 | 2.7 | 4.0 | 2.0 | 20.0 | 1.35 | 1.5 |
| EA949DA-22 | 20.5 | 1.2 | 2.7 | 4.1 | 2.0 | 21.0 | 1.35 | 1.5 |
| EA949DA-23 | 21.4 | 1.2 | 2.9 | 4.5 | 2.0 | 22.0 | 1.35 | 1.5 |
| EA949DA-24 | 22.2 | 1.2 | 3.1 | 4.2 | 2.0 | 22.9 | 1.35 | 1.5 |
| EA949DA-25 | 23.2 | 1.2 | 3.1 | 4.3 | 2.0 | 23.9 | 1.35 | 1.5 |
| EA949DA-26 | 24.2 | 1.2 | 3.1 | 4.4 | 2.0 | 24.9 | 1.35 | 1.5 |
| EA949DA-27 | 25.0 | 1.2 | 3.3 | 4.5 | 2.0 | 25.8 | 1.35 | 1.5 |
| EA949DA-28 | 25.9 | 1.5 | 3.1 | 4.6 | 2.0 | 26.6 | 1.65 | 1.5 |
| EA949DA-30 | 27.9 | 1.5 | 3.5 | 4.8 | 2.0 | 28.6 | 1.65 | 1.5 |



EA949DA-3~DA-9はこの形状になります。