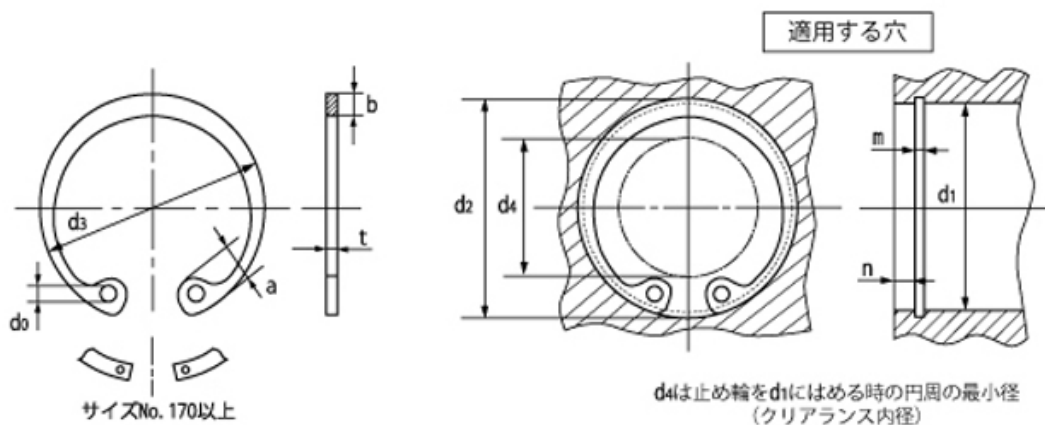


図面／規格 【C形止め輪（穴（オチアイ））】



| サイズNo. | 止め輪 | | | | 適用する穴 | | | | | | |
|----------|----------------|-----------------|--------|--------|---------|-----------------|----------------|------------------|------------|-----------|------------|
| | d3 標準 寸法 | t 許容差 許容差 | b 約 | a 約 | d0 約 | d4 約 (参考) | d1 標準 寸法 | d2 許容差 許容差 | m 許容差 | 参考n 最小 | |
| ※6 6.7 | 0.4 | ±0.03 | 0.7 | 1.6 | 0.8 | 2.5 | 6 | 6.25 | +0.04 0 | 0.5 | 0.5 |
| ※7 7.7 | 0.4 | ±0.03 | 0.8 | 1.7 | 0.8 | 3 | 7 | 7.3 | 0.5 | +0.1 0 | 0.5 |
| ※8 8.8 | 0.4 | ±0.03 | 0.9 | 1.7 | 0.8 | 3.5 | 8 | 8.4 | +0.06 0 | 0.5 | 0.6 |
| ※9 9.8 | 0.6 | ±0.04 | 1.1 | 2.2 | 0.8 | 4 | 9 | 9.4 | 0.7 | 0.6 | 0.6 |
| ※10 10.7 | 1 | ±0.18 | 1.5 | 2.8 | 1.2 | 4 | 10 | 10.4 | 1.15 | 0.6 | 0.6 |
| ※11 11.8 | 1 | ±0.18 | 1.5 | 3 | 1.2 | 4 | 11 | 11.4 | 1.15 | 0.6 | 0.6 |
| ※12 13 | 1 | ±0.18 | 1.7 | 3.1 | 1.5 | 5 | 12 | 12.5 | 1.15 | 0.8 | 0.8 |
| ※13 14.1 | 1 | ±0.18 | 1.7 | 3.1 | 1.5 | 6 | 13 | 13.6 | +0.11 0 | 1.15 | 0.9 |
| ※14 15.1 | 1 | ±0.18 | 1.9 | 3.6 | 1.7 | 7 | 14 | 14.6 | 1.15 | 0.9 | 1.1 |
| ※15 16.2 | 1 | ±0.18 | 1.9 | 3.6 | 1.7 | 8 | 15 | 15.7 | 1.15 | 1.1 | 1.1 |
| ※16 17.3 | 1 | ±0.18 | 1.9 | 3.7 | 1.7 | 8 | 16 | 16.8 | 1.15 | 1.2 | 1.2 |
| ※17 18.3 | 1 | ±0.18 | 1.9 | 3.8 | 1.7 | 9 | 17 | 17.8 | 1.15 | 1.2 | 1.2 |
| ※18 19.5 | 1 | ±0.18 | 2.4 | 4 | 1.7 | 10 | 18 | 19 | 1.15 | 1.5 | 1.5 |
| 19 20.5 | 1 | ±0.18 | 2.5 | 4 | 2 | 11 | 19 | 20 | 1.15 | 1.5 | 1.5 |
| 20 21.5 | 1 | ±0.18 | 2.5 | 4 | 2 | 12 | 20 | 21 | 1.15 | 1.5 | 1.5 |
| 21 22.5 | 1 | ±0.18 | 2.5 | 4.1 | 2 | 12 | 21 | 22 | 1.15 | 1.5 | 1.5 |
| 22 23.5 | 1 | ±0.18 | 2.5 | 4.1 | 2 | 13 | 22 | 23 | 1.15 | 1.5 | 1.5 |
| 24 25.9 | 1.2 | ±0.25 | 2.5 | 4.3 | 2 | 15 | 24 | 25.2 | 1.35 | 1.8 | 1.8 |
| 25 26.9 | 1.2 | ±0.25 | 3 | 4.4 | 2 | 16 | 25 | 26.2 | 1.35 | 1.8 | 1.8 |
| 26 27.9 | 1.2 | ±0.25 | 3 | 4.5 | 2 | 16 | 26 | 27.2 | 1.35 | 1.8 | 1.8 |
| 28 30.1 | 1.2 | ±0.25 | 3 | 4.6 | 2 | 18 | 28 | 29.4 | 1.35 | 2.1 | 2.1 |
| 30 32.1 | 1.2 | ±0.25 | 3 | 4.7 | 2 | 20 | 30 | 31.4 | 1.35 | 2.1 | 2.1 |
| 32 34.4 | 1.2 | ±0.25 | 3.5 | 5.2 | 2.5 | 21 | 32 | 33.7 | 1.35 | 2.6 | 2.6 |
| 34 36.5 | 1.5 | ±0.25 | 3.5 | 5.2 | 2.5 | 23 | 34 | 35.7 | 1.65 | 3.0 | 3.0 |
| 35 37.8 | 1.5 | ±0.25 | 3.5 | 5.2 | 2.5 | 24 | 35 | 37 | 1.65 | 3.0 | 3.0 |
| 36 38.8 | 1.5 | ±0.25 | 3.5 | 5.2 | 2.5 | 25 | 36 | 38 | 1.65 | 3.0 | 3.0 |
| 37 39.8 | 1.5 | ±0.25 | 3.5 | 5.2 | 2.5 | 26 | 37 | 39 | 1.65 | 3.0 | 3.0 |
| 38 40.8 | 1.5 | ±0.25 | 4 | 5.3 | 2.5 | 27 | 38 | 40 | 1.65 | 3.0 | 3.0 |
| 40 43.5 | 1.75 | ±0.4 | 4 | 5.7 | 2.5 | 28 | 40 | 42.5 | 1.9 | 3.8 | 3.8 |
| 42 45.5 | 1.75 | ±0.4 | 4 | 5.8 | 2.5 | 30 | 42 | 44.5 | 1.9 | 3.8 | 3.8 |
| 45 48.5 | 1.75 | ±0.4 | 4.5 | 5.9 | 2.5 | 33 | 45 | 47.5 | 1.9 | 3.8 | 3.8 |
| ※46 49.7 | 1.75 | ±0.4 | 5 | 6.1 | 2.5 | 33 | 46 | 48.5 | 1.9 | 3.8 | 3.8 |
| 47 50.5 | 1.75 | ±0.4 | 4.5 | 6.1 | 2.5 | 34 | 47 | 49.5 | 1.9 | 3.8 | 3.8 |
| 48 51.5 | 1.75 | ±0.4 | 4.5 | 6.2 | 2.5 | 35 | 48 | 50.5 | 1.9 | 3.8 | 3.8 |
| 50 54.2 | 2 | ±0.07 | 4.5 | 6.5 | 2.5 | 37 | 50 | 53 | 2.2 | 4.5 | 4.5 |
| 52 56.2 | 2 | ±0.07 | 5.1 | 6.5 | 2.5 | 39 | 52 | 55 | 2.2 | 4.5 | 4.5 |
| 55 59.2 | 2 | ±0.07 | 5.1 | 6.5 | 2.5 | 41 | 55 | 58 | 2.2 | 4.5 | 4.5 |
| 56 60.2 | 2 | ±0.07 | 5.1 | 6.6 | 2.5 | 42 | 56 | 59 | +0.3 0 | 2.2 | 4.5 |
| 58 62.2 | 2 | ±0.07 | 5.1 | 6.8 | 2.5 | 44 | 58 | 61 | 2.2 | 4.5 | 4.5 |
| 60 64.2 | 2 | ±0.07 | 5.5 | 6.8 | 2.5 | 46 | 60 | 63 | 2.2 | 4.5 | 4.5 |
| 62 66.2 | 2 | ±0.07 | 5.5 | 6.9 | 2.5 | 48 | 62 | 65 | 2.2 | 4.5 | 4.5 |
| 63 67.2 | 2 | ±0.07 | 5.5 | 6.9 | 2.5 | 49 | 63 | 66 | 2.2 | 4.5 | 4.5 |
| 65 69.2 | 2.5 | ±0.08 | 5.5 | 7 | 2.5 | 50 | 65 | 68 | 2.7 | 4.5 | 4.5 |
| 68 72.5 | 2.5 | ±0.08 | 6 | 7.4 | 2.5 | 53 | 68 | 71 | +0.3 0 | 2.7 | +0.14 0 |
| 70 74.5 | 2.5 | ±0.08 | 6 | 7.4 | 2.5 | 55 | 70 | 73 | 0 | 2.7 | 4.5 |

材質：ばね用鋼 硬さ：44~53HRC 表面処理：ACP(保膜増粘膜)
※印及びRTW-130以上はオチアイ規格となります。

| サイズNo. | 止め輪 | | | | 適用する穴 | | | | | | |
|-----------|----------------|-----------------|--------|--------|---------|-----------------|----------------|------------------|------------|------------|--|
| | d3 標準 寸法 | t 許容差 許容差 | b 約 | a 約 | d0 約 | d4 約 (参考) | d1 標準 寸法 | d2 許容差 許容差 | m 許容差 | 参考n 最小 | |
| 72 76.5 | ±0.45 | 2.5 | 6.6 | 7.4 | 2.5 | 57 | 72 | 75 | +0.3 0 | 4.5 | |
| 75 79.5 | ±0.45 | 2.5 | 6.6 | 7.8 | 2.5 | 60 | 75 | 78 | 0 | +0.14 0 | |
| 78 82.5 | ±0.45 | 2.5 | 6.6 | 8 | 2.5 | 62 | 78 | 81 | 0 | 2.7 | |
| 80 85.5 | ±0.45 | 2.5 | 7 | 8 | 2.5 | 64 | 80 | 83.5 | 0 | 2.7 | |
| 82 87.5 | ±0.45 | 2.5 | 7 | 8 | 3 | 66 | 82 | 85.5 | 0 | 2.7 | |
| 85 90.5 | ±0.45 | 3 | 7 | 8 | 3 | 69 | 85 | 88.5 | 0 | 3.2 | |
| 88 93.5 | ±0.45 | 3 | 7.6 | 8.2 | 3 | 71 | 88 | 91.5 | +0.35 0 | 3.2 | |
| 90 95.5 | ±0.45 | 3 | 7.6 | 8.3 | 3 | 73 | 90 | 93.5 | 0 | 3.2 | |
| 92 97.5 | ±0.45 | 3 | 8 | 8.3 | 3 | 74 | 92 | 95.5 | 0 | 3.2 | |
| 95 100.5 | ±0.55 | 3 | 8 | 8.5 | 3 | 77 | 95 | 98.5 | 0 | 3.2 | |
| 98 103.5 | ±0.55 | 3 | 8.3 | 8.7 | 3 | 80 | 98 | 101.5 | 0 | 3.2 | |
| 100 105.5 | ±0.55 | 3 | 8.3 | 8.8 | 3 | 82 | 100 | 103.5 | 0 | 3.2 | |
| 102 108 | ±0.55 | 4 | 8.9 | 9 | 3 | 83 | 102 | 106 | 0 | 4.2 | |
| 105 112 | ±0.55 | 4 | 8.9 | 9.1 | 3 | 86 | 105 | 109 | 0 | 4.2 | |
| 108 115 | ±0.55 | 4 | 8.9 | 9.5 | 3 | 87 | 108 | 112 | +0.54 0 | 4.2 | |
| 110 117 | ±0.55 | 4 | 8.9 | 10.2 | 3 | 89 | 110 | 114 | 0 | 4.2 | |
| 112 119 | ±0.55 | 4 | 8.9 | 10.2 | 3 | 90 | 112 | 116 | 0 | 4.2 | |
| 115 122 | ±0.65 | 4 | 9.5 | 10.2 | 3 | 94 | 115 | 119 | 0 | 4.2 | |
| 120 127 | ±0.65 | 4 | 9.5 | 10.7 | 3 | 98 | 120 | 124 | 0 | 4.2 | |
| 125 132 | ±0.65 | 4 | 10 | 10.7 | 3.5 | 103 | 125 | 129 | 0 | 4.2 | |
| 130 137 | ±0.65 | 4 | 10 | 10.7 | 3.5 | 108 | 130 | 134 | 0 | 4.2 | |
| 135 142 | ±0.65 | 4 | 10.8 | 11 | 3.5 | 113 | 135 | 139 | 0 | 4.2 | |
| 140 147 | ±0.65 | 4 | 10.8 | 11 | 3.5 | 118 | 140 | 144 | 0 | 4.2 | |
| 145 152 | ±1.26 -0.63 | 4 | 10.8 | 11 | 3.5 | 123 | 145 | 149 | +0.63 0 | 4.2 | |
| 150 158 | ±1.26 -0.63 | 4 | 11.5 | 11.8 | 3.5 | 126 | 150 | 155 | 0 | 4.2 | |
| 155 164 | ±1.26 -0.63 | 4 | 11.5 | 11.8 | 3.5 | 130 | 155 | 160 | 0 | 4.2 | |
| 160 169 | ±1.26 -0.63 | 4 | 12 | 12.5 | 3.5 | 134 | 160 | 165 | 0 | 4.2 | |
| 165 174.5 | ±1.26 -0.63 | 4 | 12 | 12.7 | 3.5 | 139 | 165 | 170 | 0 | 4.2 | |
| 170 179.5 | ±1.26 -0.63 | 4 | 12 | - | 3.5 | 145 | 170 | 175 | 0 | 4.2 | |
| 175 184.5 | ±1.26 -0.63 | 4 | 12.5 | - | 3.5 | 149 | 175 | 180 | 0 | 4.2 | |
| 180 189.5 | ±1.44 -0.72 | 4 | 13 | - | 4 | 153 | 180 | 185 | 0 | 4.2 | |
| 185 194.5 | ±1.44 -0.72 | 4 | 13.5 | - | 4 | 157 | 185 | 190 | 0 | 4.2 | |
| 190 199.5 | ±1.44 -0.72 | 4 | 13.5 | - | 4 | 162 | 190 | 195 | 0 | 4.2 | |
| 195 204.5 | ±1.44 -0.72 | 4 | 13.5 | - | 4 | 167 | 195 | 200 | 0 | 4.2 | |
| 200 209.5 | ±1.44 -0.72 | 4 | 14 | - | 4 | 171 | 200 | 205 | 0 | 4.2 | |
| 210 222 | ±1.44 -0.72 | 5 | 14 | - | 4 | 181 | 210 | 216 | 0 | 5.2 | |
| 220 232 | ±1.44 -0.72 | 5 | 14 | - | 4 | 191 | 220 | 226 | 0 | 5.2 | |
| 230 242 | ±1.44 -0.72 | 5 | 14 | - | 4 | 201 | 230 | 236 | 0 | 5.2 | |
| 240 252 | ±1.44 -0.72 | 5 | 14 | - | 4 | 211 | 240 | 246 | 0 | 5.2 | |
| 250 262 | ±1.44 -0.72 | 5 | 14 | - | 4 | 221 | 250 | 256 | 0 | 5.2 | |
| 260 275 | ±1.62 -0.81 | 5 | 16 | - | 4 | 227 | 260 | 268 | +0.25 0 | 5.2 | |
| 270 285 | ±1.62 -0.81 | 5 | 16 | - | 4 | 237 | 270 | 278 | 0 | 5.2 | |
| 280 295 | ±1.62 -0.81 | 5 | 16 | - | 4 | 247 | 280 | 288 | 0 | 5.2 | |
| 290 305 | ±1.62 -0.81 | 5 | 16 | - | 4 | 257 | 290 | 298 | 0 | 5.2 | |
| 300 315 | ±1.62 -0.81 | 5 | 16 | - | 4 | 267 | 300 | 308 | 0 | 5.2 | |
| 350 367 | +1.8 -0.9 | 6 | ±0.2 | 20 | - | 5 | 309 | 350 | +0.89 0 | 6.2 | |
| | | | | | | | | | | +0.3 0 | |