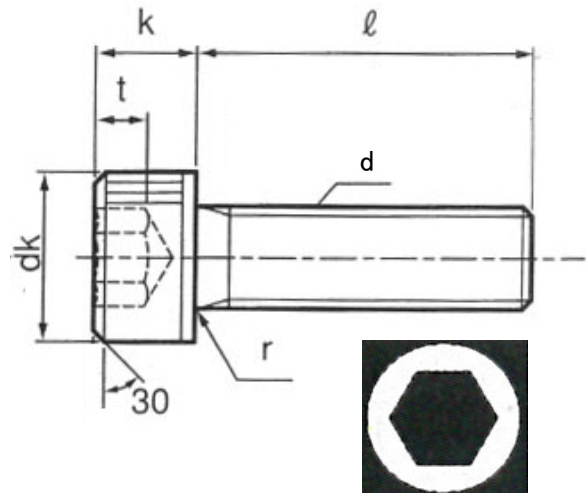
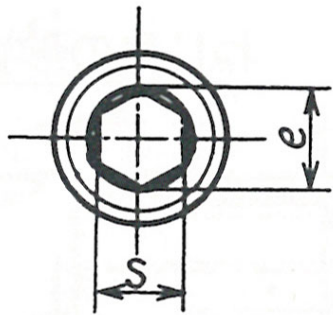
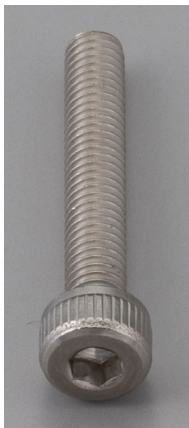


六角穴付ボルト[ステンレス製]
EA949MB-304~835



●材質…ステンレス

品番	呼び	サイズ(mm)									入数 (本)	重量(g) (1本)
		ℓ	ピッチ	d	dk	k	s	e	r	t		
EA949MB-304	M3	4	0.50	3.00	5.50	3.00	2.50	2.87	0.10	1.30	48	0.65
EA949MB-305		5									69	0.69
EA949MB-306		6									82	0.73
EA949MB-308		8									79	0.81
EA949MB-310		10									78	0.90
EA949MB-312		12									75	0.98
EA949MB-314		14									65	1.07
EA949MB-316		16									62	1.16
EA949MB-318		18									56	1.26
EA949MB-320		20									54	1.36
EA949MB-322		22									42	1.46
EA949MB-406	M4	6	0.70	4.00	7.00	4.00	3.00	3.44	0.20	2.00	54	1.51
EA949MB-408		8									58	1.67
EA949MB-410		10									56	1.82
EA949MB-412		12									52	1.97
EA949MB-414		14									48	2.12
EA949MB-416		16									45	2.32
EA949MB-418		18									39	2.52
EA949MB-420		20									39	2.72
EA949MB-422		22									32	2.92
EA949MB-425		25									32	3.22
EA949MB-506		M5									6	0.80
EA949MB-508	8		37	2.89								
EA949MB-510	10		37	3.14								
EA949MB-512	12		34	3.38								
EA949MB-514	14		32	3.65								
EA949MB-516	16		30	3.89								
EA949MB-518	18		28	4.19								
EA949MB-520	20		28	4.49								
EA949MB-522	22		24	4.80								
EA949MB-525	25		23	5.26								

品番	呼び	サイズ(mm)									入数 (本)	重量(g) (1本)
		ℓ	ピッチ	d	dk	k	s	e	r	t		
EA949MB-606	M6	6	1.00	6.00	10.00	6.00	5.00	5.72	0.25	3.00	7	3.70
EA949MB-608		8									14	4.04
EA949MB-610		10									17	4.39
EA949MB-612		12									16	4.74
EA949MB-614		14									14	5.24
EA949MB-616		16										5.63
EA949MB-618		18										6.01
EA949MB-620		20									13	6.40
EA949MB-625		25									12	7.52
EA949MB-630		30									10	8.64
EA949MB-808		M8									8	1.25
EA949MB-810	10		4	10.07								
EA949MB-812	12			10.70								
EA949MB-814	14		6	11.32								
EA949MB-816	16			12.06								
EA949MB-818	18			12.69								
EA949MB-820	20			13.32								
EA949MB-822	22		5	13.99								
EA949MB-825	25			15.00								
EA949MB-830	30			4	16.98							
EA949MB-835	35		3	18.95								