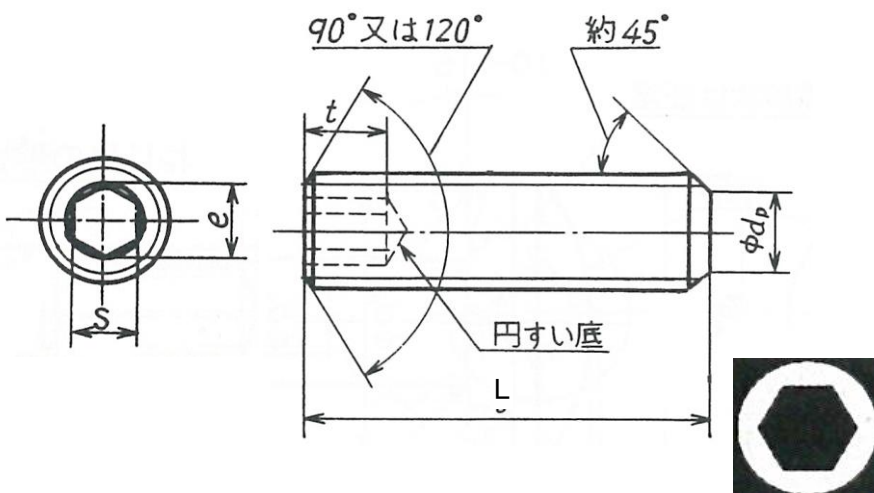


六角穴付止めねじ[ステンレス製]  
EA949MR-303~-1030



- 材質…ステンレス(SUSXM7)
- くぼみ先タイプ



品番	呼び	サイズ(mm)						入数 (本)	重量(g) (1本)
		L	ピッチ	dp	e	s	t		
EA949MR-303	M3	3	0.50	1.40	1.73	1.50	1.20	49	0.15
EA949MR-304		4							0.16
EA949MR-305		5							0.16
EA949MR-306		6							0.21
EA949MR-307		7						54	0.25
EA949MR-308		8						45	0.29
EA949MR-310		10						38	0.38
EA949MR-312		12						33	0.46
EA949MR-403	M4	3	0.70	2.00	2.30	2.00	1.50	27	0.15
EA949MR-404		4						44	0.20
EA949MR-405		5						44	0.27
EA949MR-406		6						44	0.35
EA949MR-407		7						32	0.42
EA949MR-408		8						40	0.50
EA949MR-410		10						34	0.65
EA949MR-412		12						31	0.80
EA949MR-504	M5	4	0.80	2.50	2.87	2.50	2.00	25	0.35
EA949MR-505		5						38	0.38
EA949MR-506		6						38	0.47
EA949MR-508		8						36	0.71
EA949MR-510		10						30	0.95
EA949MR-512		12						26	1.20
EA949MR-514		14						23	1.53
EA949MR-515		15						23	1.56
EA949MR-516	16	21	1.68						
EA949MR-604	M6	4	1.00	3.00	3.44	3.00	2.00	10	0.58
EA949MR-605		5						21	0.60
EA949MR-606		6						29	0.63
EA949MR-608		8						27	0.97
EA949MR-610		10						23	1.32
EA949MR-612		12						22	1.67
EA949MR-614		14						18	1.76
EA949MR-615		15						18	2.19
EA949MR-616	16	17	2.36						

品番	呼び	サイズ(mm)						入数 (本)	重量(g) (1本)
		L	ピッチ	dp	e	s	t		
EA949MR-806	M8	6	1.25	5.00	4.58	4.00	3.00	15	1.31
EA949MR-808		8						18	1.68
EA949MR-810		10						16	2.26
EA949MR-812		12						15	2.89
EA949MR-814		14						12	3.50
EA949MR-815		15							3.84
EA949MR-816		16						11	4.15
EA949MR-818		18						9	4.72
EA949MR-1010		M10						10	1.50
EA949MR-1012	12		4.58						
EA949MR-1014	14		5.40						
EA949MR-1015	15		6.03						
EA949MR-1016	16		4	6.57					
EA949MR-1018	18		3	7.00					
EA949MR-1020	20			8.57					
EA949MR-1022	22			9.30					
EA949MR-1025	25			11.05					
EA949MR-1030	30		2	13.53					