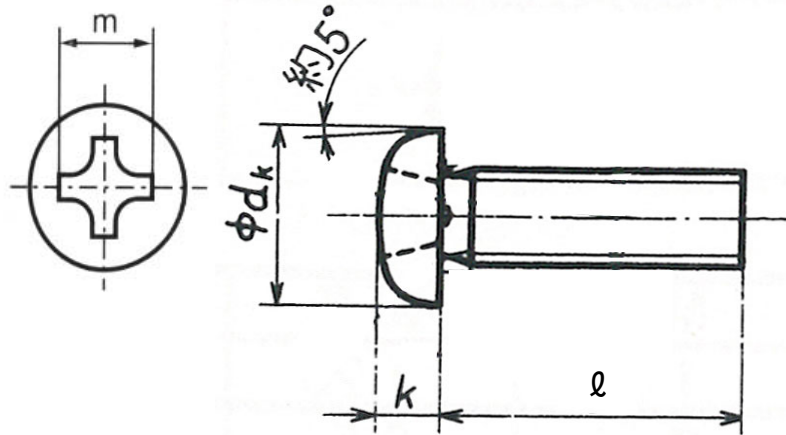
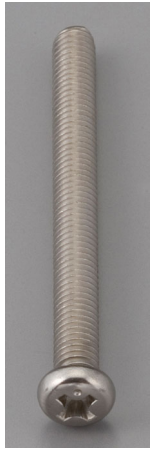


ナベ頭小ねじ[ステンレス製]
EA949NF-204~450



●材質…ステンレス

品番	呼び	十字穴 番号	サイズ(mm)					入数	重量(g) (1個)
			ℓ	ピッチ	dk	k	m		
EA949NF-204	M2	1	4	0.40	3.50	1.30	2.20	18	0.13
EA949NF-205			5					19	0.15
EA949NF-208			8					18	0.20
EA949NF-210			10					17	0.23
EA949NF-212			12					16	0.26
EA949NF-215			15					15	0.32
EA949NF-220			20					13	0.40
EA949NF-225			25					11	0.49
EA949NF-230			30					9	0.57
EA949NF-305			M3					2	5
EA949NF-308	8			0.56					
EA949NF-310	10	24		0.64					
EA949NF-312	12	21		0.72					
EA949NF-315	15	18		0.87					
EA949NF-320	20	15		1.06					
EA949NF-325	25	13		1.28					
EA949NF-330	30	11		1.48					
EA949NF-335	35	8		1.75					
EA949NF-340	40	7		1.97					
EA949NF-345	45		2.18						
EA949NF-350	50	6	2.40						
EA949NF-405	M4	2	5	0.70	7.00	2.60	4.20	16	1.00
EA949NF-408			8					19	1.16
EA949NF-410			10					18	1.31
EA949NF-412			12					15	1.46
EA949NF-415			15					13	1.76
EA949NF-420			20					11	2.07
EA949NF-425			25					9	2.44
EA949NF-430			30					7	2.82
EA949NF-435			35						3.20
EA949NF-440			40					6	3.58
EA949NF-445	45	5	3.96						
EA949NF-450	50	4	4.34						