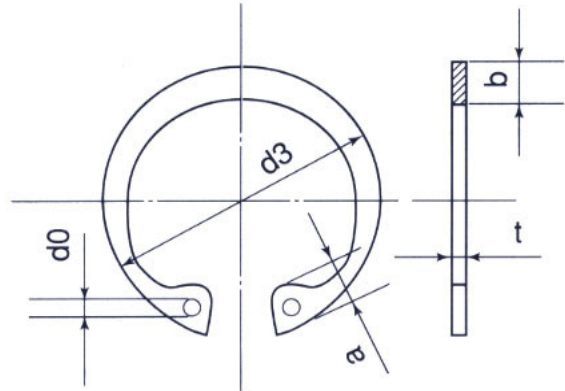


[スチール製]穴用スナップリング
EA949PA-106~122



●材質…鉄

品番	適合穴径 (mm)	サイズ(mm)					入数	重量(g) (1個)
		d3	t	b	a	d0		
EA949PA-106	6	6.70	0.40	0.70	1.60	0.80	16	0.03
EA949PA-108	8	8.80	0.40	0.90	1.70	0.80	17	0.05
EA949PA-109	9	9.80	0.60	1.10	2.20	0.80	27	0.11
EA949PA-110	10	10.70	1.00	1.50	2.80	1.20	25	0.27
EA949PA-111	11	11.80	1.00	1.50	3.00	1.20	27	0.32
EA949PA-112	12	13.00	1.00	1.70	3.10	1.50		0.41
EA949PA-113	13	14.10	1.00	1.70	3.10	1.50		0.44
EA949PA-114	14	15.10	1.00	1.90	3.60	1.50		0.48
EA949PA-115	15	16.20	1.00	1.90	3.60	1.70	21	0.56
EA949PA-116	16	17.30	1.00	1.90	3.70	1.70	18	0.61
EA949PA-117	17	18.30	1.00	1.90	3.80	1.70	17	0.65
EA949PA-118	18	19.50	1.00	2.40	4.00	1.70	15	0.76
EA949PA-119	19	20.50	1.00	2.50	4.00	2.00		0.83
EA949PA-120	20	21.50	1.00	2.50	4.00	2.00		0.85
EA949PA-121	21	22.50	1.00	2.50	4.10	2.00	12	0.94
EA949PA-122	22	23.50	1.00	2.50	4.10	2.00		0.99
EA949PA-123								

廃番