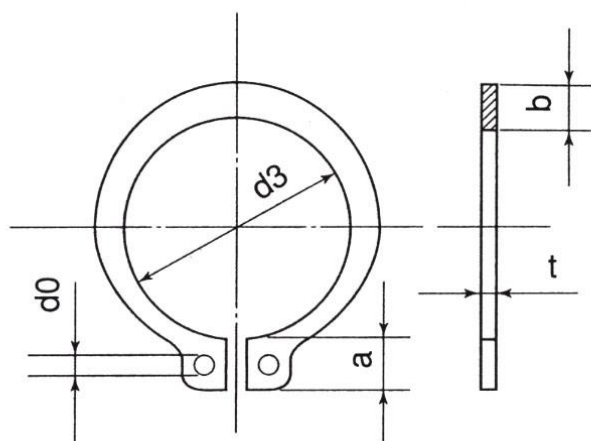
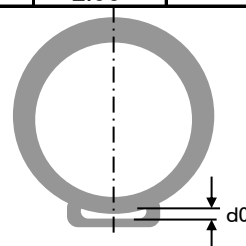


[スチール製]軸用スナップリング
EA949PA-203~-224



●材質…鉄

品番	適合軸径 (mm)	サイズ(mm)					入数	重量(g) (1個)
		d3	t	b	a	d0		
EA949PA-203	3	2.7	0.25	0.50	1.70	0.70	42	0.011
EA949PA-204	4	3.7	0.40	0.90	2.20	0.80	45	0.035
EA949PA-205	5	4.7	0.60	1.10	2.40	0.80		0.083
EA949PA-206	6	5.6	0.70	1.30	2.80	1.00	44	0.129
EA949PA-207	7	6.5	0.80	1.40	3.00	1.00	42	0.178
EA949PA-208	8	7.4	0.80	1.60	3.00	1.00		0.213
EA949PA-209	9	8.4	1.00	1.80	3.20	1.00	33	0.357
EA949PA-210	10	9.3	1.00	1.80	3.00	1.20	26	0.379
EA949PA-211	11	10.2	1.00	2.00	3.10	1.20		0.454
EA949PA-212	12	11.1	1.00	2.10	3.20	1.50	25	0.504
EA949PA-213	13	12.0	1.00	2.10	3.30	1.50	23	0.544
EA949PA-214	14	12.9	1.00	2.20	3.40	1.70	20	0.644
EA949PA-215	15	13.8	1.00	2.20	3.50	1.70	19	0.690
EA949PA-216	16	14.7	1.00	2.20	3.60	1.70	14	0.725
EA949PA-217	17	15.7	1.00	2.20	3.70	1.70	15	0.782
EA949PA-218	18	16.5	1.20	2.60	3.80	1.70	12	1.143
EA949PA-219	19	17.5	1.20	2.70	3.80	2.00		1.201
EA949PA-220	20	18.5	1.20	2.70	3.90	2.00	10	1.308
EA949PA-221	21	19.5	1.20	2.70	4.00	2.00		1.369
EA949PA-222	22	20.5	1.20	2.70	4.10	2.00	8	1.452
EA949PA-223	23	21.4	1.20	2.90	4.50	2.00		1.650
EA949PA-224	24	22.2	1.20	3.10	4.20	2.00		1.753



EA949PA-203~-209はこの形状になります。