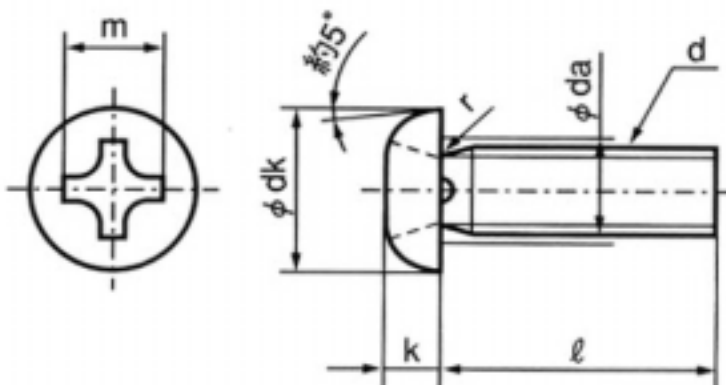


EA949SJ - 41 ~ 66 ナベ頭小ネジ(ステンレス)

材質 … ステンレス(SUS304J3)

⊕ ナベ頭



なべ頭

| 品番 | 呼び径 | 全長 (mm) | ピッチ | 十字穴 番号 | dk | k | m (mm) | 入数 (本) |
|------------|-----|------------|-----|-----------|--------|--------|-----------|-----------|
| | | | | | 基準(mm) | 基準(mm) | | |
| EA949SJ-41 | M 4 | 10 | 0.7 | 2 | 7 | 2.6 | 4.2 | 100 |
| EA949SJ-42 | | 16 | | | | | | 75 |
| EA949SJ-43 | | 20 | | | | | | 60 |
| EA949SJ-44 | | 25 | | | | | | 52 |
| EA949SJ-45 | | 30 | | | | | | 45 |
| EA949SJ-46 | | 40 | | | | | | 35 |
| EA949SJ-47 | | 50 | | | | | | 25 |
| EA949SJ-51 | M 5 | 16 | 0.8 | | 9 | 3.3 | 4.9 | 40 |
| EA949SJ-52 | | 20 | | | | | | 30 |
| EA949SJ-53 | | 25 | | | | | | 28 |
| EA949SJ-54 | | 30 | | | | | | 25 |
| EA949SJ-55 | | 40 | | | | | | 22 |
| EA949SJ-56 | | 50 | | | | | | 17 |
| EA949SJ-61 | M 6 | 16 | 1 | | 3 | 10.5 | 3.9 | 6.3 |
| EA949SJ-62 | | 20 | | 25 | | | | |
| EA949SJ-63 | | 25 | | 22 | | | | |
| EA949SJ-64 | | 30 | | 19 | | | | |
| EA949SJ-65 | | 40 | | 15 | | | | |
| EA949SJ-66 | | 50 | | 12 | | | | |