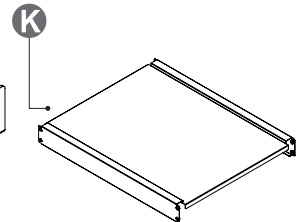
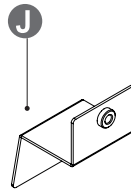
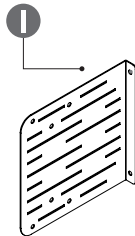
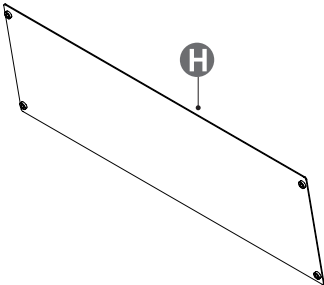
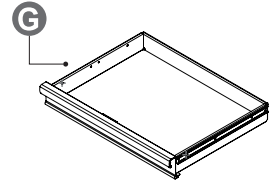
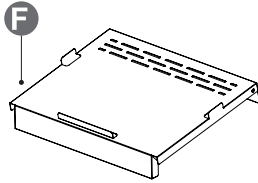
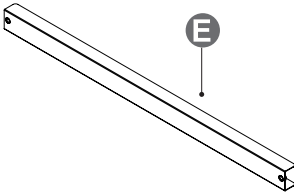
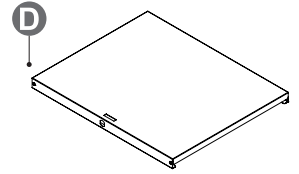
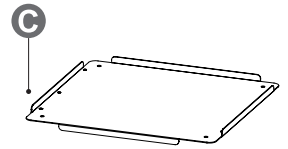
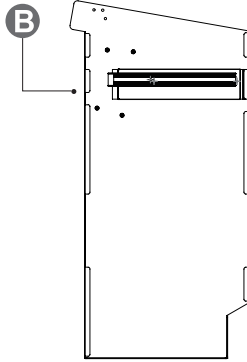
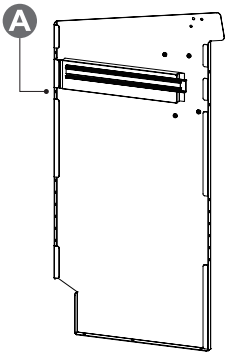
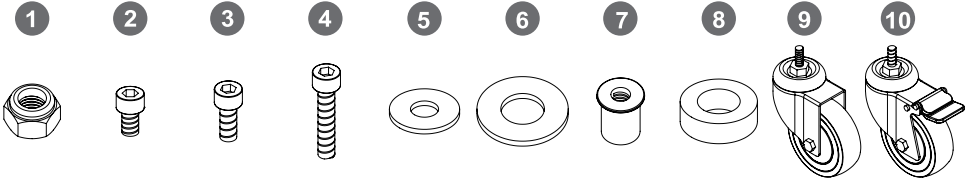


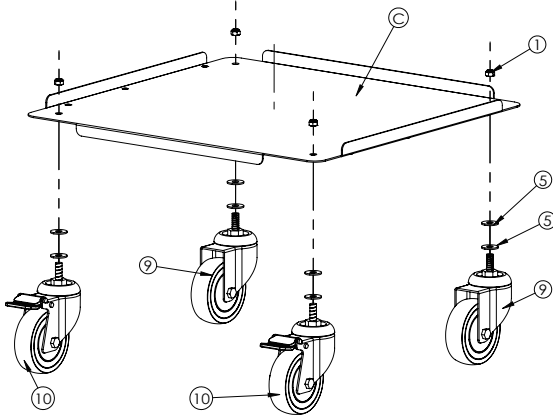
MOBILE DIAGNOSTIC CART

Product Specifications



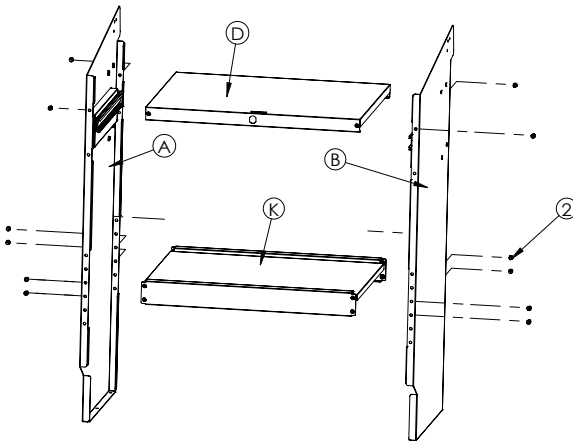
STEP.1

C	Bottom Plate	1PC
10	Brake Castor	2PCS
9	Swivel Castor	2PCS
5	Washer 2T*10*25	8PCS
1	Nut 3/8"	4PCS



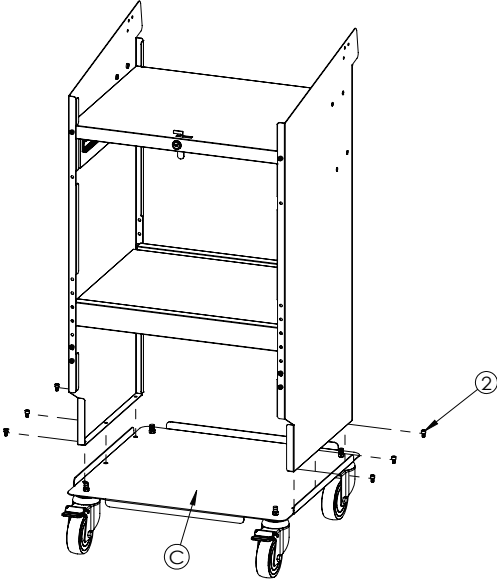
STEP.2

A	Left Frame	1PCS
B	Right Frame	1PCS
K	Lower Plate	1PCS
D	Upper Drawer Plate	1PCS
2	Hex Cap Screws M6x10	12PCS



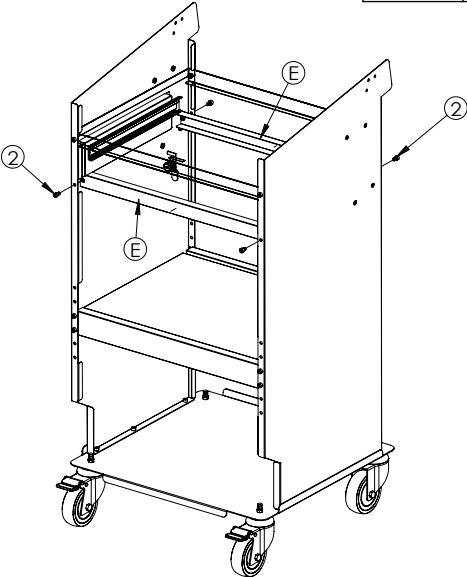
STEP.3

C	Bottom Set	1SET
2	Hex Cap Screws M6x10	6PCS



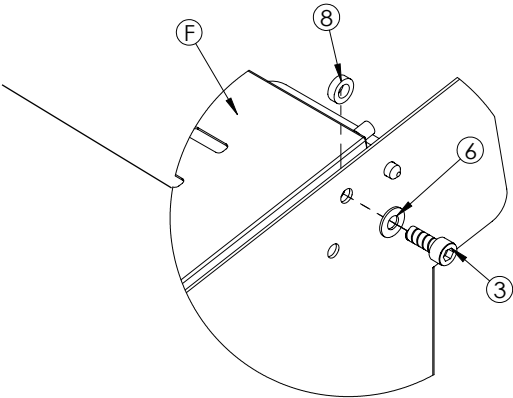
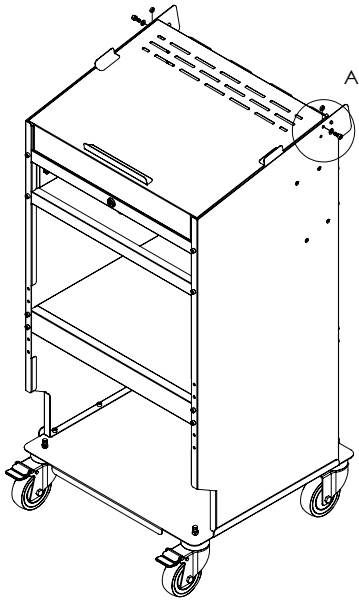
STEP.4

E	Lower Drawer Plate	2PCS
2	Hex Cap Screws M6x10	4PCS



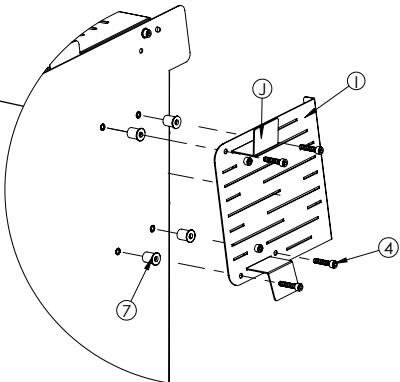
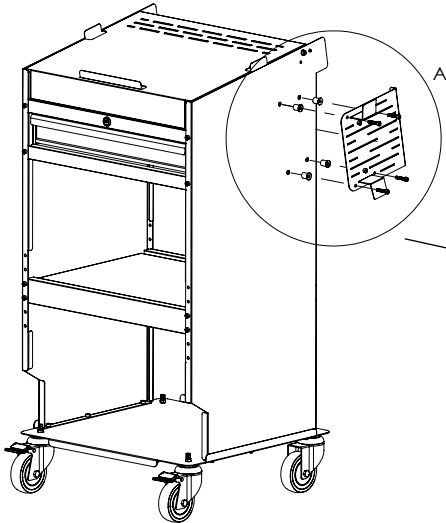
STEP.5

3	Hex Cap Screws M6x10	2PCS
6	Washer 1Tx13x6	2PCS
8	Hinge Washer	2PCS
F	Top Cover	1PC



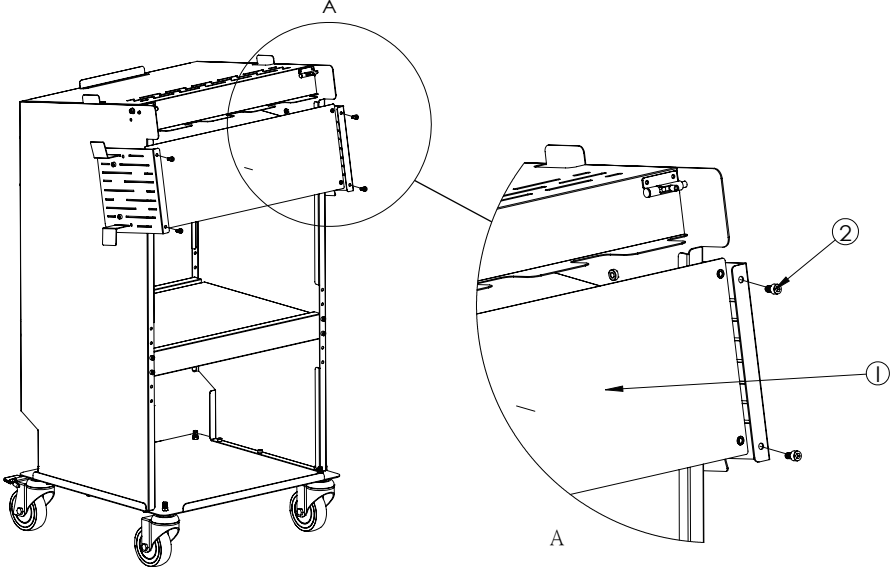
STEP.6

I	Left and Right Rear Panels	2PCS
J	Cable Management Bracket	2PCS
4	Hex Cap Screws	8PCS
7	M8 Rivet Nuts	8PCS



STEP.7

1	Rear Back Panel	1SET
2	Hex Cap Screws M6x10	4PCS



STEP.8

G	Drawer	1PC
---	--------	-----

