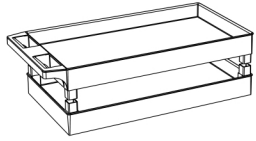
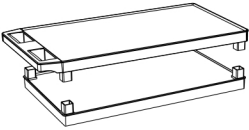


PARTS KEY:



A x 1 Top
B x 1 Bottom

Tub Shelves*
(SEC, EC, STC, and TC models)

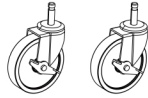


A x 1 Top
B x 1 Bottom

Flat Shelves*
(EC, HE, HC, LE, LP, and WT models)

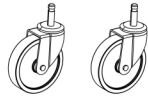
4" Standard Casters

C x 2



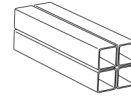
Locking Casters

D x 2



Non-Locking Casters

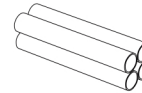
E x 4



Square Legs
(WT, SEC, and EC models)

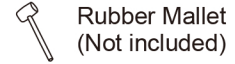
OR

E x 4



Round Legs
(LE, LP, STC, TC, and BC models)

REQUIRED TOOLS:



IMPORTANT:

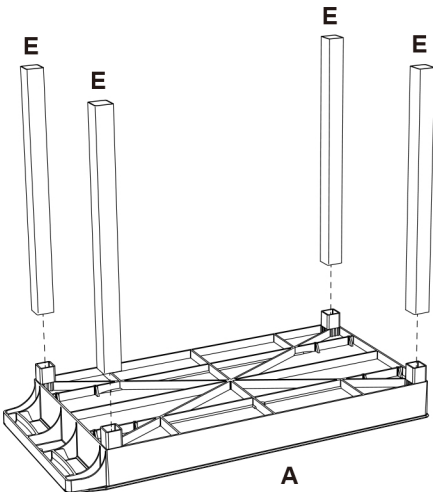
If your cart includes options such as a power strip, pullout shelf, locking drawer, or locking cabinet, installation instructions for those components will be included in their packaging.

*NOTE:

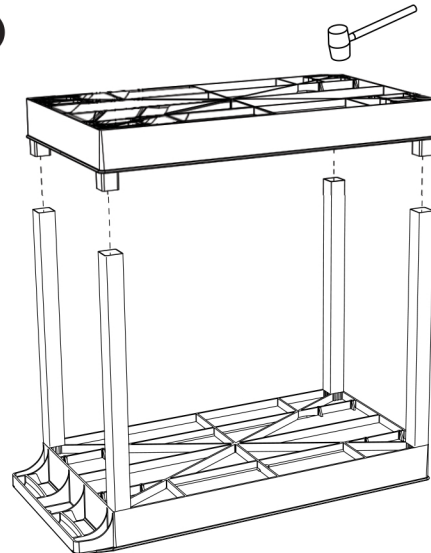
Some EC, STC, and TC models come with a mix of flat and tub shelves.

ASSEMBLY INSTRUCTIONS:

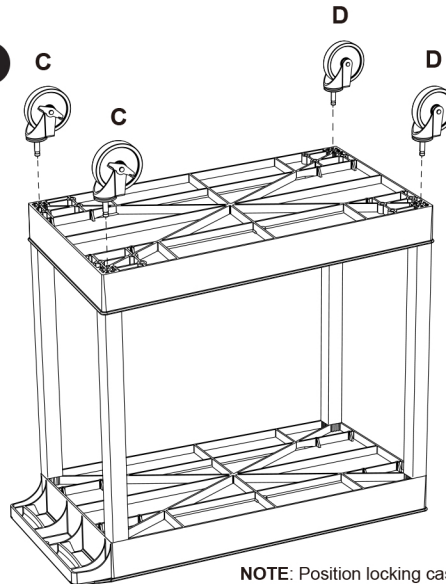
1



2

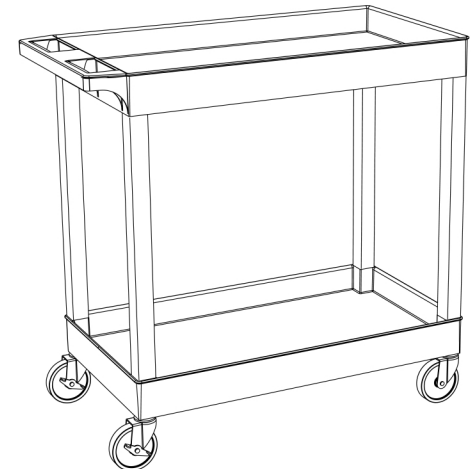


3



4

Flip the unit upright after casters are securely installed.



NOTE: Position locking casters (C) on the same end as the handle.