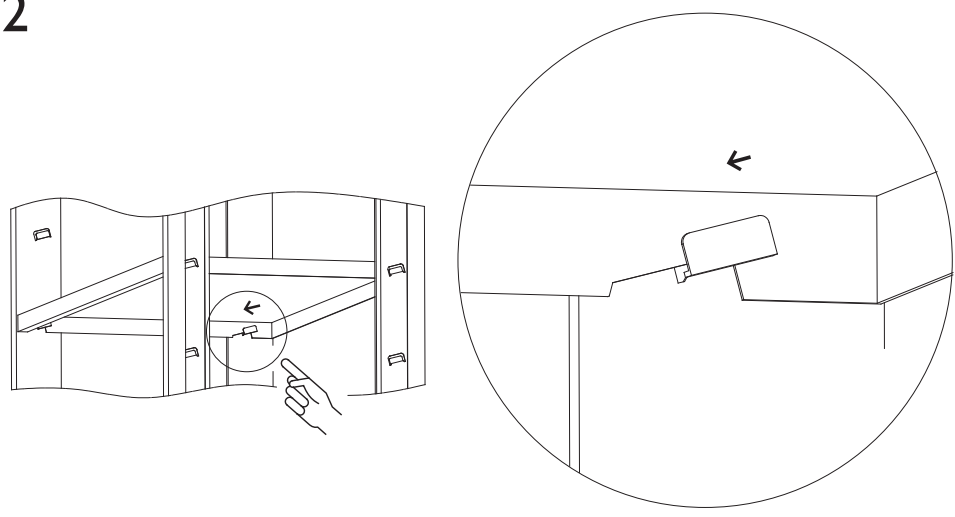
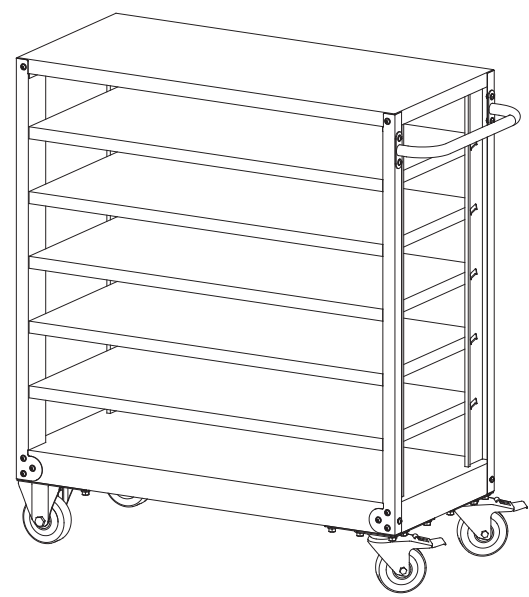


NHD-530 steel plate parts cabinet assembly instructions

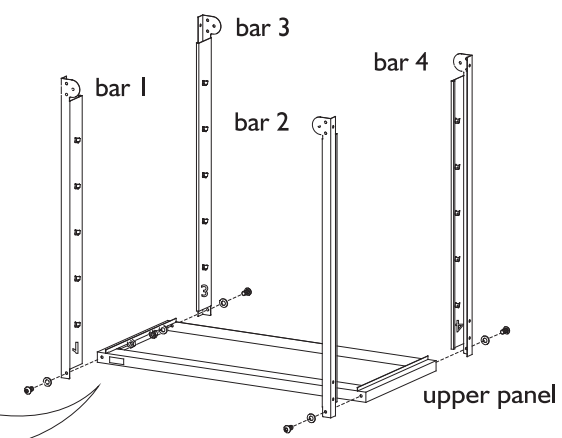
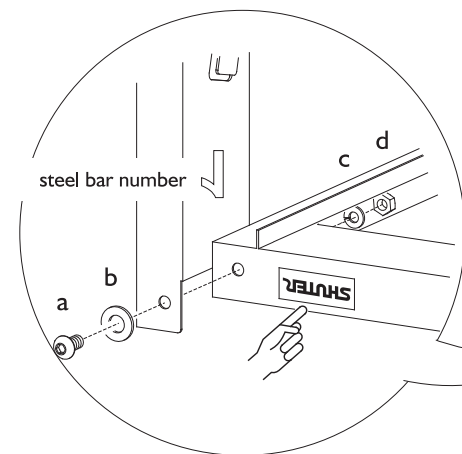
4.2



finished

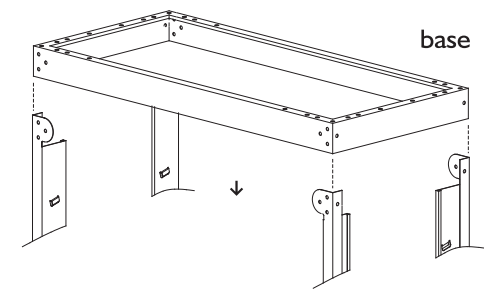
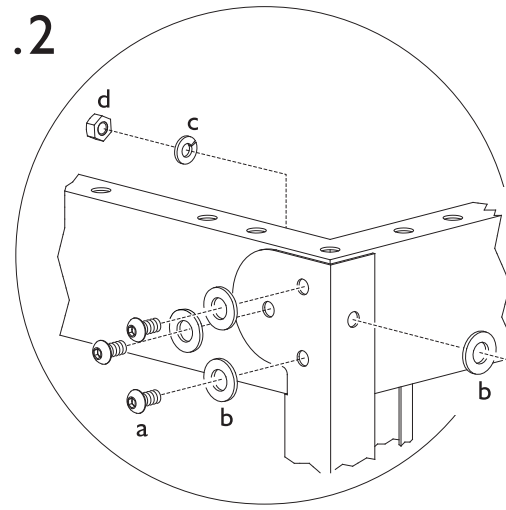


1.1



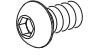





Note:
please ensure the steel bars
assembled according to the
assembly instructions.

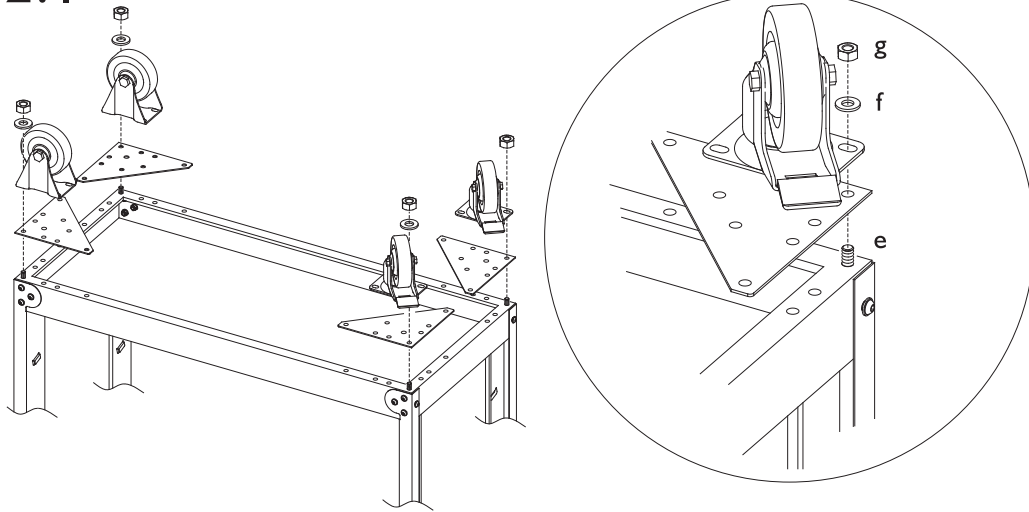
1.2



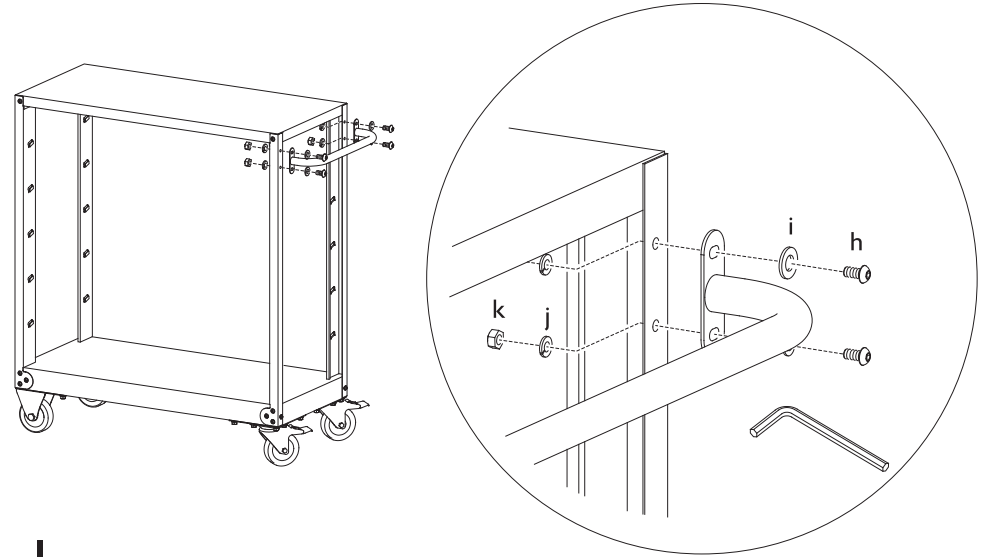
cabinet parts pack

-  1x
-  1x
-  a x 20
-  b x 20
-  c x 20
-  d x 20

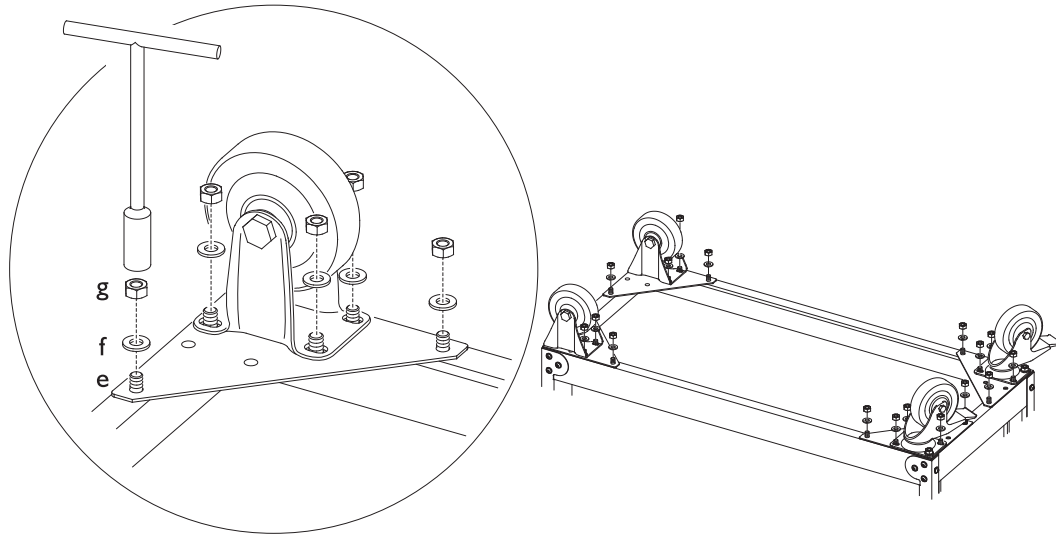
2.1



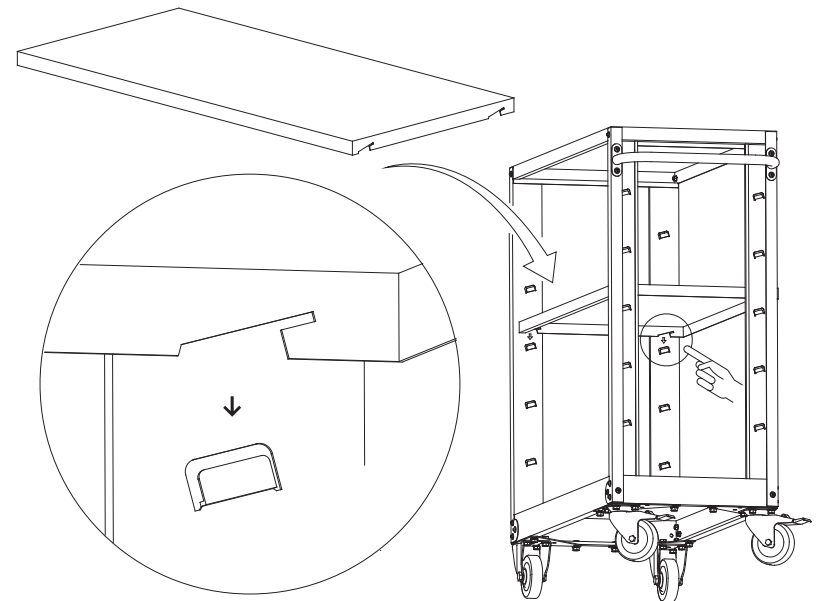
3



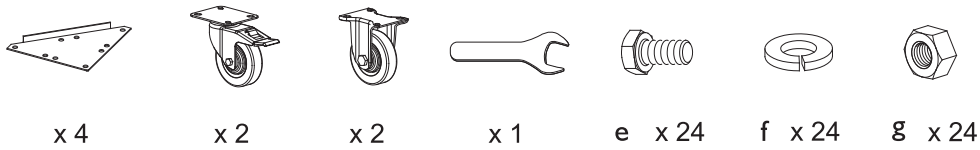
2.2



4.1



casters parts pack



handle parts pack

