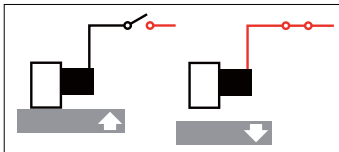


Energise to release



Electric current required to turn the magnet OFF.

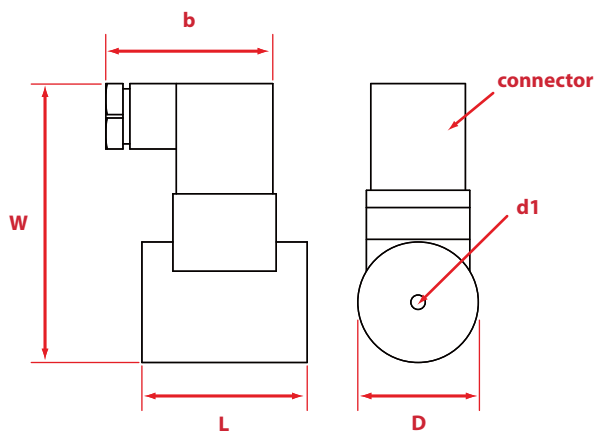
Sturdy bright nickel plated cylinder, passivated with body mounting.
High-quality permeable iron for low remanence.

Armature plates to suit.

- Operating voltage** 24VDC & 240VAC (with rectified plug connector)
- Connector options** Hirschman connector
- Mountings** Central machined hole in rear face of magnet
- Finish** Bright nickel plated with machined face
- IP rating** 54
- Duty Cycle** S2



Standard operating voltage		Air gap mm										
		0	0.09	0.18	0.27	0.36	0.59	1.00	1.59			
Diameter 35 mm	50	24 VDC										
		Product No.	Pull Force N									
		Current mA	285	98	54	37	31	17	-	-		
		EA984CM-11 M52177/24VDC	240	471	398	264	190	131	112	54	32	
		EA984CM-12 M52178/24VDC	350									



EA984CM-11
EA984CM-12

Product No.	Dimensions						Weight g
	D	L	b	W	connector	d1	
M52177/24VDC	35	48	50	78	Hirschman style	M5	352
M52178/24VDC	50	63	50	94	Hirschman style	M5	874
M52177/240VA	35	48	50	81	Hirschman	M5	354
M52178/240VA	50	63	50	97	Hirschman	M5	880