

EA986GA- 100



EAN: 4047526042608

ID: 42606

Pressed steel fixed castor, medium duty brackets, with top plate fitting, Wheels with 'Blickle Comfort' two-component solid rubber tyres, with pressed steel rim

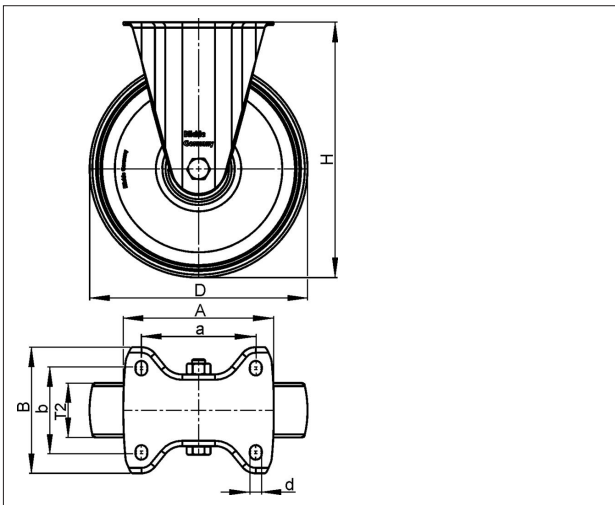
Bracket:

Made of pressed steel. Bolted wheel axle. Zinc-plated, blue-passivated, Cr6-free.

Wheels:

Tyre & running tread: Made of 'Blickle Comfort' two-component solid rubber, with hard rubber core and highly elastic rubber tread, very high operational comfort, low-noise operation, compared to standard solid rubber the operational comfort and the load capacity are increased whereas the rolling resistance is reduced, very good floor preservation. Tread colour: black

Rim / wheel centre: Pressed steel rim with tubular steel hub, pressed rim (special shock and impact-resistant design), zinc-plated, blue-passivated, Cr6-free. Tyre pressed with rim.



Technical data

Wheel Ø (D)	100 mm
Wheel width (T2)	30 mm
Load capacity	100 kg
Total height (H)	125 mm
Unit weight	0.794 kg
Temperature range from	-25 °C
Temperature range to	80 °C
Tread & tyre hardness	65° Shore A
Bearing type	
Plate size (A,B)	100 x 85 mm
Bolt hole Ø (d)	9 mm
Bolt hole spacing (a,b)	80 x 60 mm

Rolling resistance





Operating noise



Floor surface preservation



B-RD 100R

Variants	
	With pressed steel thread guard, zinc-plated
	With non-marking grey tyre, 56° shore A