

# EA986GA-160



EAN: 4047526042653

ID: 42655

**Pressed steel fixed castor, medium duty brackets, with top plate fitting, Wheels with 'Blickle Comfort' two-component solid rubber tyres, with pressed steel rim**

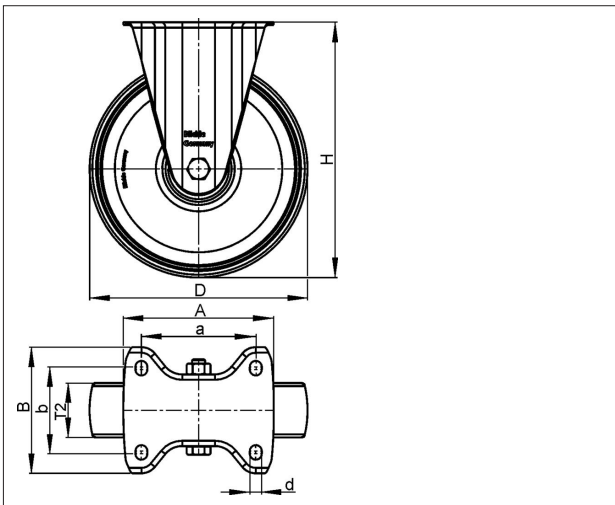
**Bracket:**

Made of pressed steel. Bolted wheel axle. Zinc-plated, blue-passivated, Cr6-free.

**Wheels:**




**Tyre & running tread:** Made of 'Blickle Comfort' two-component solid rubber, with hard rubber core and highly elastic rubber tread, very high operational comfort, low-noise operation, compared to standard solid rubber the operational comfort and the load capacity are increased whereas the rolling resistance is reduced, very good floor preservation. Tread colour: black

**Rim / wheel centre:** Pressed steel rim with tubular steel hub, pressed rim (special shock and impact-resistant design), zinc-plated, blue-passivated, Cr6-free. Tyre pressed with rim.





Technical data

Wheel Ø (D)	160 mm
Wheel width (T2)	40 mm
Load capacity	225 kg
Total height (H)	195 mm
Unit weight	1.848 kg
Temperature range from	-25 °C
Temperature range to	80 °C
Tread & tyre hardness	65° Shore A
Bearing type	
Plate size (A,B)	140 x 110 mm
Bolt hole Ø (d)	11 mm
Bolt hole spacing (a,b)	105 x 75-80 mm

Rolling resistance	
Operating noise	
Floor surface preservation	

**B-RD 162R**

Variants	
	With pressed steel thread guard, zinc-plated
	With non-marking grey tyre, 56° shore A