

EA986GD-125



EAN: 4047526009588

ID: 9589

, Wheels with 'Blickle Comfort' two-component solid rubber tyres, with pressed steel rim

**Bracket:**

Made of heavy pressed steel, with double ball bearing in the swivel head, strong central kingpin, swivel head seals. The special Blickle dynamic riveting process of the swivel head results in minimal swivel head play and smooth rolling characteristics with an increased service life achieved by the work hardening of the ball race grooves. Bolted wheel axle. Zinc-plated, blue-passivated, Cr6-free.

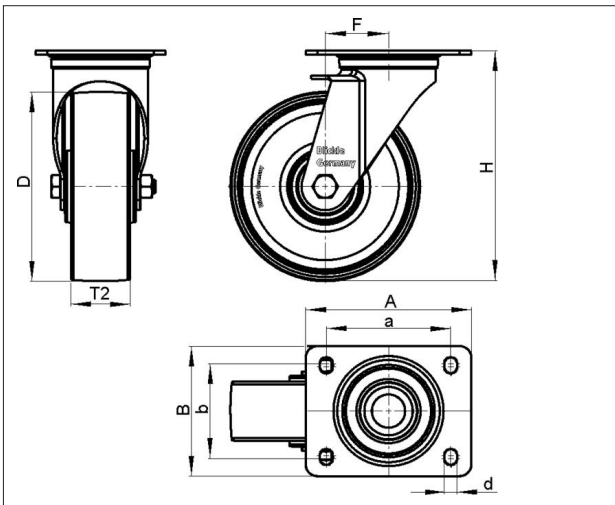
**Wheels:**

**Tyre & running tread:** Made of 'Blickle Comfort' two-component solid rubber, with hard rubber core and highly elastic rubber tread, very high operational comfort, low-noise operation, compared to standard solid rubber the operational comfort and the load capacity are increased whereas the rolling resistance is reduced, very good floor preservation. Tread colour: black

**Rim / wheel centre:** Pressed steel rim with tubular steel hub, pressed rim (special shock and impact-resistant design), zinc-plated, blue-passivated, Cr6-free. Tyre pressed with rim.

**Variants:**

mit Feststeller "stop-fix"



Technical data

Wheel Ø (D)	125 mm
Wheel width (T2)	37,5 mm
Load capacity	120 kg
Total height (H)	150 mm
Offset swvl castor (F)	40 mm
Unit weight	1.304 kg
Temperature range from	-25 °C
Temperature range to	80 °C
Tread & tyre hardness	65° Shore A
Bearing type	
Plate size (A,B)	100 x 85 mm
Bolt hole Ø (d)	9 mm
Bolt hole spacing (a,b)	80 x 60 mm

Rolling resistance



Operating noise



Floor surface preservation

